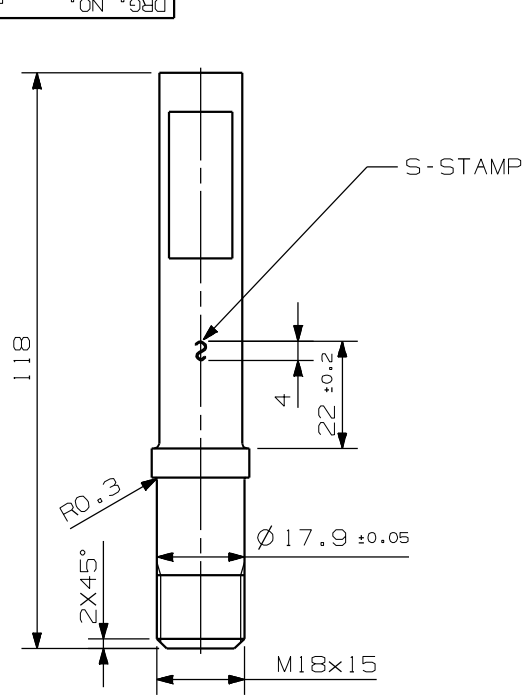


INVENTORY NO. SIGN AND DATE 5053960-R02-S01 THE INFORMATION ON THIS DOCUMENT IS THE PROPERTY OF BHARAT HEAVY ELECTRICALS LIMITED IT MUST NOT BE USED DIRECTLY OR INDIRECTLY IN ANY WAY DETRIMENTAL TO THE INTEREST OF THE COMPANY

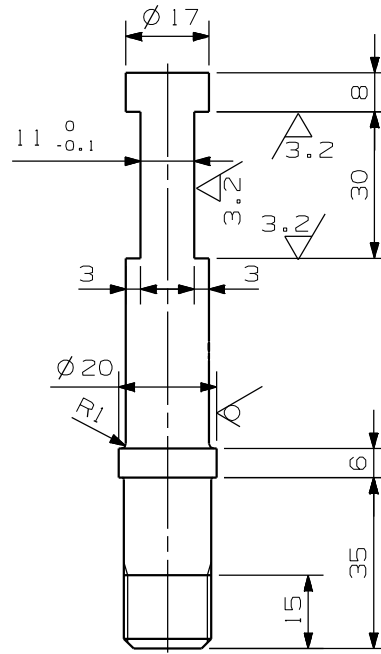
FIRST ANGLE PROJECTION

(ALL DIMENSIONS ARE IN MM.)

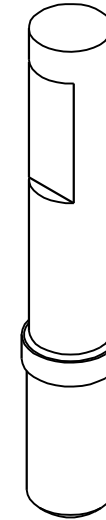
5053960 DRG. NO.



FRONT VIEW



SIDE VIEW



ISO VIEW

TOLERANCE NOT SPECIFIED
ARE ACCORDING TO WN4012-00
SURFACE FINISH TO WN4002-00

3.2

NOTE :-

PROTECT THE CONTACT WITH
PLASTIPEEL/NETTED NYLON
SLEEVE TO AVOID DENTS

VAR.00	REMARKS	VAR NO.	ITEM NO.	DESCRIPTION	STD	DRAWING NO.	IT. NO	MATL. CODE	A/C	UNIT	KG.	UNIT WT.	QTY.	OS	ZONE
				20D1A.X118L9. HARD COPPER ROD				AA1200223047			0.207				
								AA12023				001			

ADDITIONAL INFORMATION

STATUS OF DRAWING

DISTRIBUTION OF PRINTS

SWE	SWM	TCX
1	3	1

TYPE OF PRODUCT OR NAME OF CUSTOMER/PROJECT ON LOAD TAP CHANGER



BHARAT HEAVY ELECTRICALS LTD. DRN.
BHOPAL

NAME	SIGN.	DATE	NO. OF VAR
S.D.W.	Sd/-	26.04.79	
B.S.R.	Sd/-	16.05.79	--
N.N.S.	Sd/-	23.05.79	

REV.	DATE	ALTERED	DAuto	DPT.	UNTOL.	SCALE	WEIGHT	REF. TO ASSY. DRG.	ITEM NO.	NO. OF ITEM
03	26.06.11	CHECKED APPROVED	K.S. S.K.P.	SWE CODE 409	DMS.GR. M AA0230208	1:1	(K.G.) --	--	--	--
ZONE				DRAWING REDRAWN IN UG. DRAWING WAS A4. (DCA NO.-31315)			TITLE REVERSING SWITCH CONTACT MI 1500		DRAWING NO. 5053960	REV. 03
								SHT NO. 01	NO. OF SHT 01	