

FIRST ANGLE PROJECTION

(ALL DIMENSION ARE IN MM.)

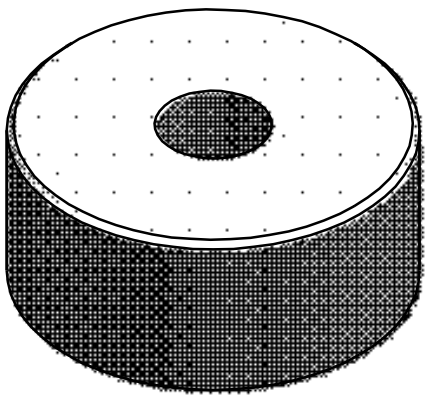
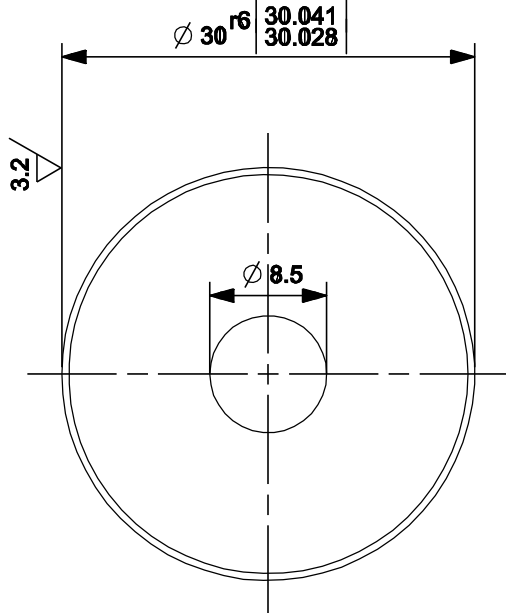
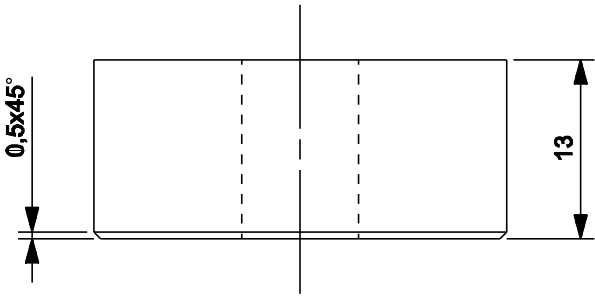
BHARAT HEAVY ELECTRICALS LIMITED

THE INFORMATION ON THIS DOCUMENT IS THE PROPERTY OF  
IT MUST NOT BE USED DIRECTLY OR INDIRECTLY IN ANY WAY DETERMENTAL TO THE INTEREST OF THE COMPANY

5068546-R00-S01  
REF.DRG.NO.

SIGN. AND DATE  
INVENTORY NO.

REV.	DATE	ALTERED	REV.	DATE	ALTERED VD	ADDITIONAL INFORMATION	
		CHECKED		02	06.12.13		CHECKED KS
		APPROVED					APPROVED SKP
DRAWING REDRAWN IN UG.			STATUS OF DRAWING				
DCA NO. - 32286			DISTRIBUTION OF PRINTS		SWE	SWM	TCX
					1	3	1



**FOR MOTORS-**  
**0.37 KW-1 PHASE**  
**0.75 KW-1 PHASE**  
**1.1 KW -1 PHASE & 3PHASE**  
**1.5 KW -3 PHASE**

12.5/3.2

		32 DIA.x13LG. ALUMINIUM ALLOY ROD			KG	0.022
				AA12330		001
REMARKS	ITEM NO.	DESCRIPTION	STD.	MATL CODE	A/C	UNIT WT.
				MATL.SPECN.		QTY.



BHARAT HEAVY ELECTRICALS LTD.  
BHOPAL

DRN.	NAME	SIGN.	DATE	NO.OF VAR
	V.K.	SD/-	23.12.87	
CKD.	B.S.R.	SD/-	23.12.87	
APPD.	B.S.S.	SD/-	03.01.88	

DPT. SWE	UNTOL. DMS.GR.		SCALE	WEIGHT (K.G.)	REF. TO ASSY.DRG.	ITEM NO.	NO.OF ITEM
CODE 409	AA0230208		1:1		5089609		001
TITLE					DRAWING NO.	REV.	
BOSS FOR DRIVE WHEEL (ON LOAD TAP CHANGER)					5068546	02	
					SHT NO. 01	NO. OF SHT 01	