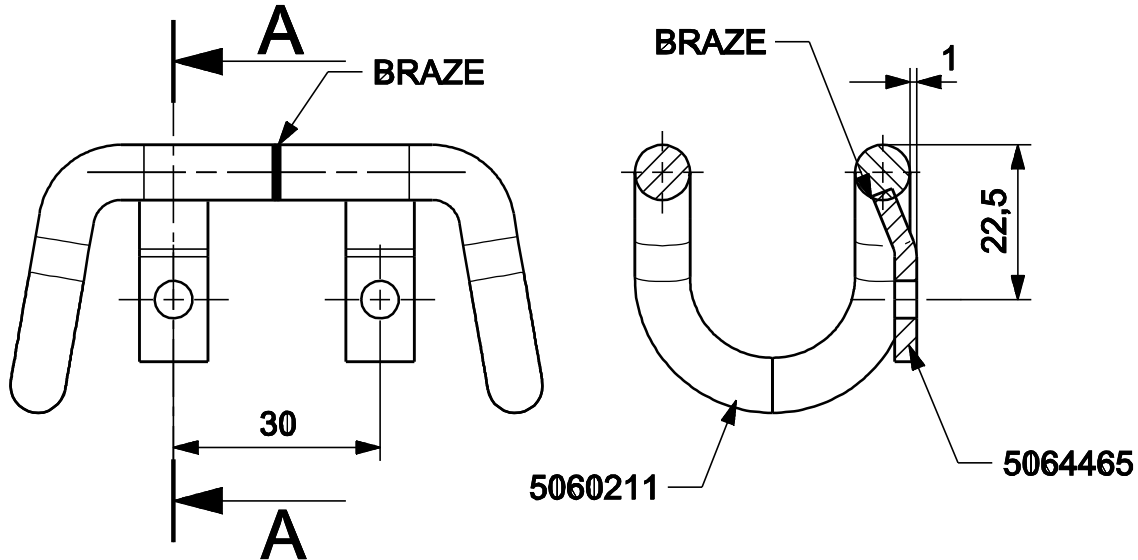


FIRST ANGLE PROJECTION

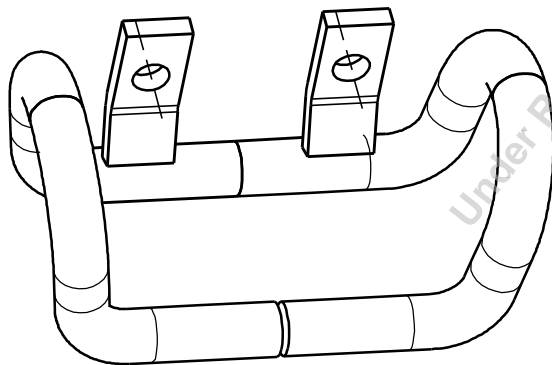
(ALL DIMENSION ARE IN MM.)

BHARAT HEAVY ELECTRICALS LIMITED  
 THE INFORMATION ON THIS DOCUMENT IS THE PROPERTY OF  
 IT MUST NOT BE USED DIRECTLY OR INDIRECTLY IN ANY WAY DETERMENTAL TO THE INTEREST OF THE COMPANY

REV.	DATE	ALTERED	REV.	DATE	ALTERED VD	ADDITIONAL INFORMATION			
		CHECKED			CHECKED KS				
		APPROVED			APPROVED SKP				
			02	07.08.13		STATUS OF DRAWING			
			DRAWING REDRAWN IN UG.			DISTRIBUTION OF PRINTS	SWE	SWM	TCX
			DCA NO. - 32043				1	3	1



**SECTION A-A**



**APPLY TRP. CASTROL-RUSTILO 630/HP-RUSTOP 285 FOR STORAGE**



5085234-R00-501  
 REF. DRG. NO.  
 SIGN. AND DATE  
 INVENTORY NO.

REMARKS	ITEM NO.	DESCRIPTION	STD.	MATL CODE	A/C	UNIT	UNIT WT.
						KG	
							QTY.

		DRN.	NAME	SIGN.	DATE	NO. OF VAR	
			VK	SD/-	22.12.85		
		CKD.	IJS	SD/-	22.12.85		
		APPD	BSR	SD/-	22.12.85		
DPT. SWE	UNTOL. DMS. GR.		SCALE	WEIGHT (K.G.)	REF. TO ASSY. DRG.	ITEM NO.	NO. OF ITEM
CODE 409	AA0230208		1:1	0.112			001
TITLE				DRAWING NO.		REV.	
GRADING RING ASSY				5085234		02	
(ON LOAD TAP CHANGER)				SHT NO. 01	NO. OF SHT 01		