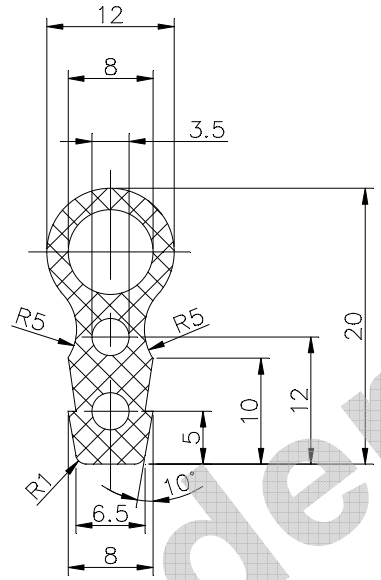


THE INFORMATION ON THIS DOCUMENT IS THE PROPERTY OF BHARAT HEAVY ELECTRICALS LIMITED IT MUST NOT BE USED DIRECTLY OR INDIRECTLY IN ANY WAY DETRIMENTAL TO THE INTEREST OF THE COMPANY

FIRST ANGLE PROJECTION

(ALL DIMENSIONS ARE IN mm)

REV. 06	DATE 01.08.14	ALTERED CHECKED APPROVED	VD KS SKP	REV. 05	DATE	ALTERED CHECKED APPROVED	ADDITIONAL INFORMATION	
DIM. 20 WAS 26.				DRG. REDRAWN.				STATUS OF DRAWING
(D.C.A. NO. 32638)				(D.C.A. NO. 22998)				DISTRIBUTION OF PRINTS
								SWE 1
								SWM 3
								TCX 1



SHORE A HARDNESS-60±5

✓

65	75	25	27	29	58	59	34	45	55	56	58	65
REMARKS	ITEM NO.	DESCRIPTION			STD			MATL. CODE	A	UNIT	UNIT WT.	
	001	EPDM RUBBER MOLDG.						BP 59691	KG	001		
								MATL. SPCN.			QTY.	71

28	CARD TYPE-3	28	CARD TYPE-1	28	CARD TYPE-2
		भारत हेवी इलेक्ट्रिकल्स लिमिटेड भोपाल BHARAT HEAVY ELECTRICALS LTD. BHOPAL			
नाम	हस्ताक्षर	दिनांक	वे. रि. की संख्या		
DRN S.D.W.	Sd/-	26.05.81	No. of VAR.		
ओ. डी. I.J.S.	Sd/-	29.05.81			
अनुमोदित B.S.R.	Sd/-	29.05.81			

विभाग DEPT	उत्प. टोल. नाप की श्रेणी UNTO.DIMS. GR.	उत्पात SCALE	भार वजन. WEIGHT (K.G.)	असेम्बली का संदर्भ REF. TO ASSY. DRG.	सद. क्र. ITEM NO.	सद. संख्या NO. OF ITEM
कोड CODE 409	M AA 0230208	2:1	-	5014478	-	-
शीट/मॉडल	PROFILE RUBBER (ON LOAD TAP CHANGER)		आरेख क्र./DRAWING NO. 5160120		पृष्ठ/REV. 06	
INVENTORY NO.			पृष्ठ क्र./SHT. No. 01		पृष्ठों की संख्या/NO. OF SHT. 01	