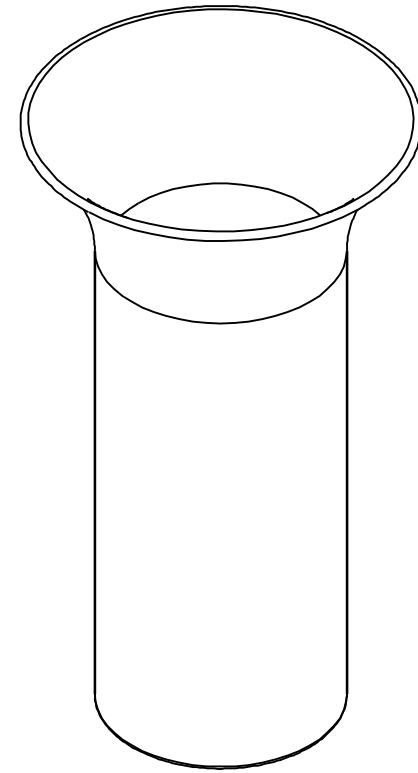
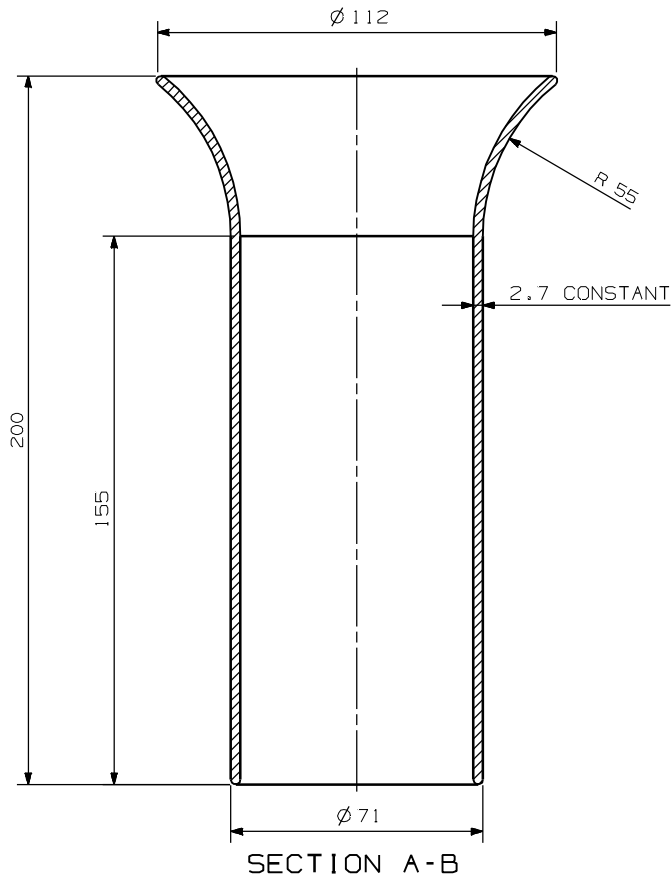
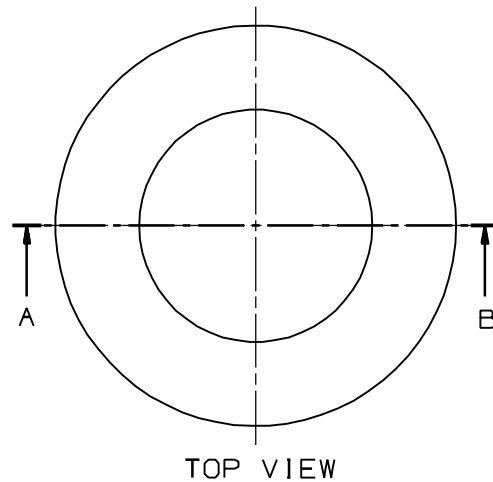


DRG. NO. 5262730



ISO VIEW



TOP VIEW

ALTERNATIVE MATERIAL

30% GLASS FILLED NYLON MOULDING (GRADE-GF3H OF GSFG)
GLASS FIBRE REINFORCED PLASTIC MOULDING SG 10014

			001	45 DIA. X 14LG. BRIGHT CARBON STL. BAR			AA120209224		0.98						
							AA10209	KG.	001						
VAR NO.	REMARKS	VAR NO.	ITEM NO.	DESCRIPTION	STL.	DRAWING NO.	T. NO VAR	MATL. CODE MATL. SPECN.	ACU UNIT	UNIT WT. QTY.	OS	ZONE			
ADDITIONAL INFORMATION				TYPE OF PRODUCT OR NAME OF CUSTOMER/PROJECT ON LOAD TAP CHANGER											
STATUS OF DRAWING				DISTRIBUTION OF PRINTS											
				BHARAT HEAVY ELECTRICALS LTD. BHOPAL				DRN.	NAME	SIGN.	DATE	NO. OF VAR			
								CKD.	BSR	Sd/-	18.12.76	-			
								APPD.	BSS	Sd/-	18.12.76	-			
REV.	DATE	ALTERED	DA/DO	CHKD.	K.S	APPD.	S.K.P	OPT. SWE	UNTOI. DMS.GR.	SCALE	WEIGHT (K.G.)	REF. TO ASSY.DRG.	ITEM NO.	NO. OF ITEM	
04	26.06.11							409	AA 0230209	1:1	--	--	-	001	
DRAWING REDRAWN IN UG				TITLE INSULATING TUBE				DRAWING NO. 5262730		REV. 04		SHT NO. 01		NO. OF SHT 01	

THE INFORMATION ON THIS DOCUMENT IS THE PROPERTY OF BHARAT HEAVY ELECTRICALS LIMITED
 IT MUST NOT BE USED DIRECTLY OR INDIRECTLY IN ANY WAY DETERMINAL TO THE INTEREST OF THE COMPANY
 INVENTORY NO. 1 SIGN AND DATE 5262730-R03-501 REF. DRG. NO.