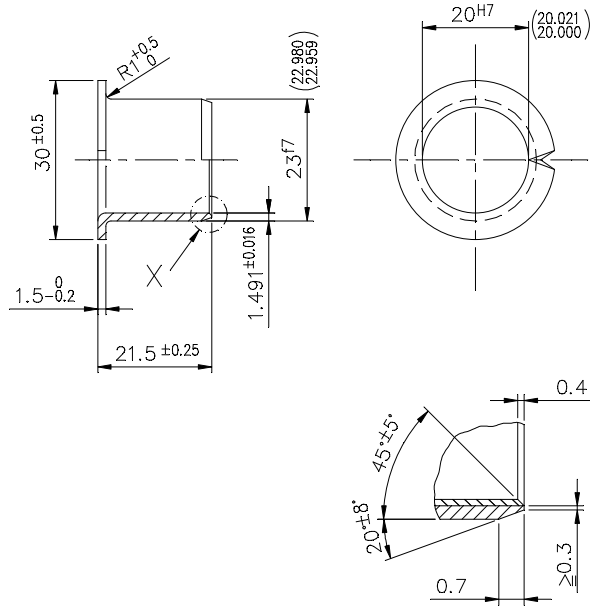


THE INFORMATION ON THIS DOCUMENT IS THE PROPERTY OF BHARAT HEAVY ELECTRICALS LIMITED. IT MUST NOT BE USED DIRECTLY OR INDIRECTLY IN ANY WAY DETRIMENTAL TO THE INTEREST OF THE COMPANY.

REV.	DATE	ALTERED	REV.	DATE	ALTERED	ADDITIONAL INFORMATION	
		CHECKED	01	13.03.10	AKU	STATUS OF DRAWING DISTRIBUTION OF PRINTS	
		APPROVED			KS		SWE
					K.P		SWM
DRAWING REDRAWN. (DCA. NO.-29644)						TCX	1
						1	3
						1	1



DETAIL-X
(SCALE 2:1)

- DIMS. TEST (FOR INNER & OUTER DIA.)
- MAT. ACC. TO DIN 1494 PART 1, 2 & 4.



REMARKS	001	BB 2022 DU OR EQUIVALENT			KG.	0.019
					001	
	ITEM NO.	DESCRIPTION	STD.	MATL. CODE	A C UNITS	UNIT WT.
				MATL. SPECN		QTY.

SIGN & DATE	BHARAT HEAVY ELECTRICALS LIMITED BHOPAL	NAME	SIGN.	DATE	NO. OF VAR		
		DRN	A.K.U.	SD/-		25.04.01	
INVENTORY No.	DEPT. SWE CODE 409	UN. TOL. DIM. GR. M AA 0230208	SCALE 1:1	WEIGHT (Kg.) -	REF. TO ASSY. DRG.	ITEM MO. -	NO. OF ITEMS 001
					5090130		
TITLE		DU-BUSH (ON LOAD TAP CHANGER)		DRAWING No. 5400835		REV. 01	
		SHEET NO. 01	NO. OF SHEETS 01				