

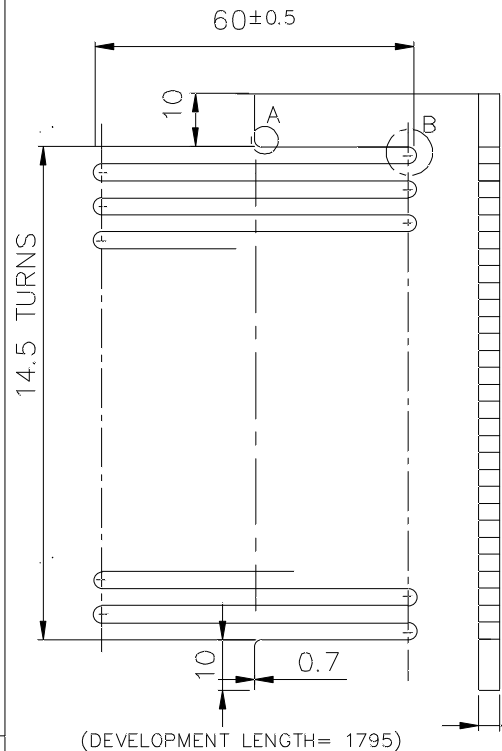
THE INFORMATION ON THIS DOCUMENT IS THE PROPERTY OF BHARAT HEAVY ELECTRICALS LIMITED IT MUST NOT BE USED DIRECTLY OR INDIRECTLY IN ANY WAY DETRIMENTAL TO THE INTEREST OF THE COMPANY

FIRST ANGLE PROJECTION (ALL DIMENSIONS ARE IN mm)

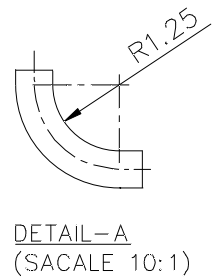
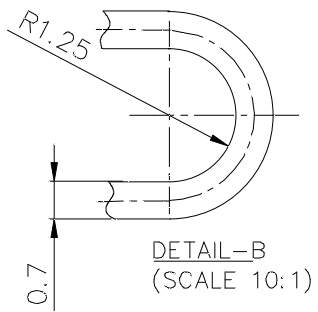
REV.	DATE	ALTERED	REV.	DATE	ALTERED	AKU	ADDITIONAL
		CHECKED	04	30.07.09	CHECKED	KIRTI	INFORMATION
		APPROVED			APPROVED	SKP	

mat spec BP12795 & tolerance of ±5% on res value added. Title was meander shaped resistor.
(D.C.A. NO.29065)

STATUS OF DRAWING	DISTRIBUTION	SWE	SWM	TCX
	CF PRINTS	1	3	1



TOOL LIST		
ITEM	TOOL	DESCRIPTION
-	1520377	BENDING TOOL



Resistance value R=0.72±5% Ω ✓

5530185-R03-S01
REF. DRG. NO.

001	0.7X4X1795LG 80-20 AUST.NICR ALLOY STRIP	BP12795	KG.	0.042
REMARKS	DESCRIPTION	MATL. CODE	UNIT	UNIT WT.
		MATL. SPCN.	QTY.	

28 → CARD TYPE-3	28 → CARD TYPE-1	28 → CARD TYPE-2
HAKjr gsoh bysDV&hdYi fyfeVsM HAKsiky BHARAT HEAVY ELECTRICALS LTD. BHOPAL		
like NAME CLK:K DRN V.KUMAR tkopk CKD BSR vugeksfmr APPO BSS	CLK SIGN Sd/- Sd/- Sd/-	fmkd DATE 03.03.77 07.03.77 15.03.77

fuHAKx DEPT SWE dksM CODE 409	vu_ Vky_ uki dh Jskh UNTLDMS. GR. M AA 0230208	vuqkr SCALE 1:1 (10:1)	HAKj fd_xk- WEIGHT (K.G.)	vis_MdkbZux dk lonHAZ REF. TO ASSY. DRG. 5014073	en d- ITEM NO.	en lq[k NO. OF ITEM
'Ah"AZd@ TRANSITION RESISTOR (ON LOAD TAP CHANGER)				vkjs[A d-@NG NO. 5530185	iqu@REV. 04	i="B d-S@. No. 01 i="Bkso dh lq[k@CF SHT. 01