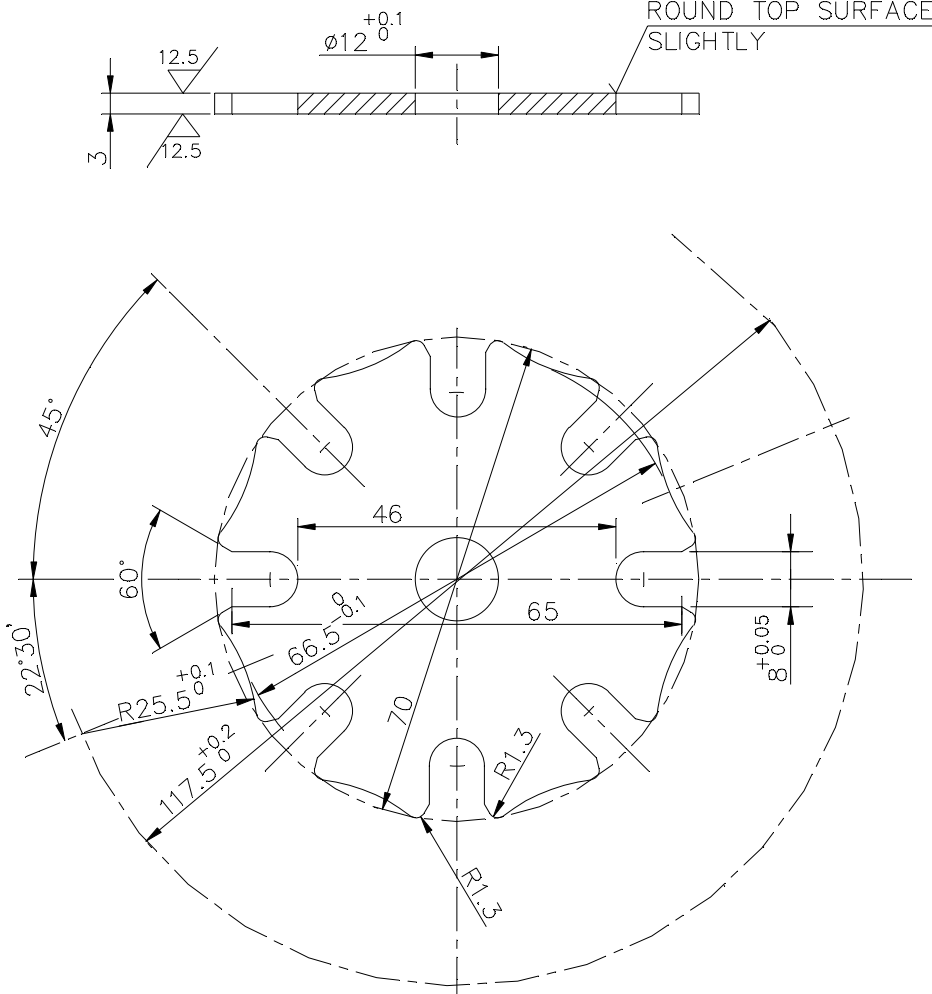


FIRST ANGLE PROJECTION

(ALL DIMENSIONS ARE IN mm)

THE INFORMATION ON THIS DOCUMENT IS THE PROPERTY OF BHARAT HEAVY ELECTRICALS LIMITED IT MUST NOT BE USED DIRECTLY OR INDIRECTLY IN ANY WAY DETRIMENTAL TO THE INTEREST OF THE COMPANY

REV.	DATE	ALTERED	REV.	DATE	ALTERED	AKU	ADDITIONAL INFORMATION	
		CHECKED	07		CHECKED	SKP		
		APPROVED			APPROVED	SK		
DRG. REDRAWN.					STATUS OF DRAWING			
(D.C.A. NO. 22410)					DISTRIBUTION OF PRINTS	SWE	SWM	TCX
						1	3	1



TOOL LIST	
ITEM	DESCRIPTION
1520002	COPY MILLING TEMPLATE
1520003	COPY MILLING FIXTURE
1520004	CHECKING FIXTURE 22°30' 60°45' AND Ø66.5—0.1

-APPLY TRP CASTROL-RUSTILO 630/HP-RUSTOP 285 FOR STORAGE.
 ALTERNATE MAT- 3TK.X70DIA. C.R. CRBN.STL. SHT. (AA10115) BP1011715996 $\nabla_{3.2}, (\nabla_{12.5})$

65	75	25	27	29	58	59	34	45	55	56	58	65
REMARKS	ITEM NO.	DESCRIPTION			STD	MATL. CODE	MATL. SPCN.	A	C	UNIT	UNIT WT.	QTY.
	001	71DIA.X3LG. BRIGHT STEEL BAR				AA1010212281				KG.	0.063	
						AA10112					001	

28 → CARD TYPE-3 28 → CARD TYPE-1 28 → CARD TYPE-2

		भारत हेवी इलेक्ट्रिकल्स लिमिटेड भोपाल	नाम NAME	हस्ताक्षर SIGN	दिनांक DATE	वे.र. की संख्या NO. OF VAR.	
		BHARAT HEAVY ELECTRICALS LTD. BHOPAL	वर्तमान DRN	V.K.	Sd/-	14.01.76	
			जांचा CKD	I.J.S	Sd/-	14.01.76	
			अनुमोदित APPD	T.K.G.	Sd/-	14.01.76	

विभाग DEPT	SWE	अन. टोल. नाप की श्रेणी UNTOLO.DIMS. GR.	अनुपात SCALE	भार. कि.ग्रा. WEIGHT (K.G.)	असे.ड्राईंग का संदर्भ REF. TO ASSY. DRG.	मद क्र. ITEM NO.	मद संख्या NO. OF ITEM
कोड CODE	409	M AA 0230208	1:1	-	5010191	-	001

शीर्षक/TITLE	GENEVA WHEEL (ON LOAD TAP CHANGER)	आरेख क्र./DRAWING NO.	5550473	पुन./REV.	07
पृष्ठ क्र./SHT. No.	01	पृष्ठों की संख्या/NO. OF SHT.	01		

5550473-R06-S01
REF. DRG. NO.
SIGN. & DATE
INVENTORY NO.