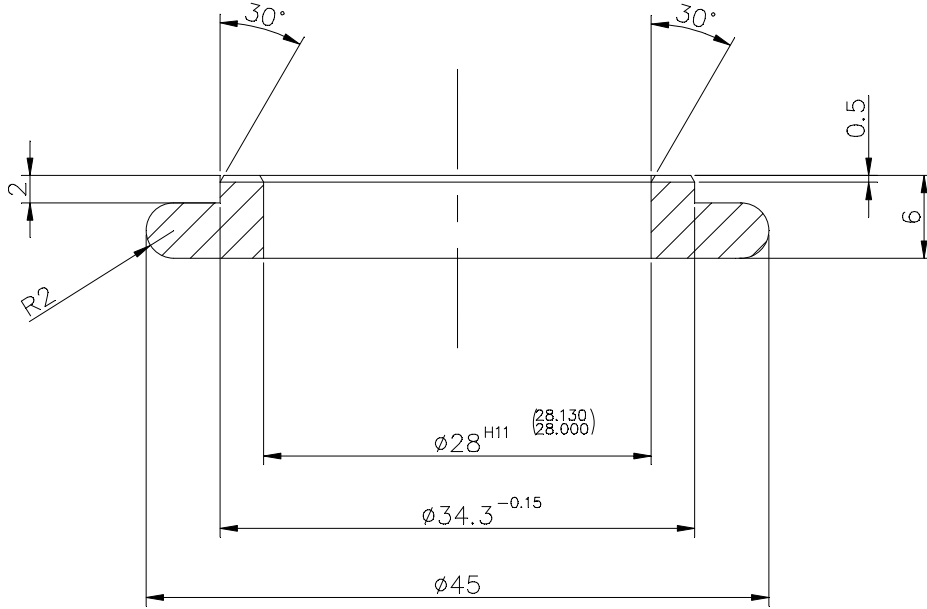


FIRST ANGLE PROJECTION

(ALL DIMENSIONS ARE IN mm)

THE INFORMATION ON THIS DOCUMENT IS THE PROPERTY OF BHARAT HEAVY ELECTRICALS LIMITED IT MUST NOT BE USED DIRECTLY OR INDIRECTLY IN ANY WAY DETRIMENTAL TO THE INTEREST OF THE COMPANY

REV.	DATE	ALTERED	REV.	DATE	ALTERED	ADDITIONAL INFORMATION
		CHECKED	01		CHECKED	
		APPROVED			APPROVED	
DRAWING REDRAWN			STATUS OF DRAWING			
(D.C.A. NO. 23740)			DISTRIBUTION OF PRINTS			
			SWE			1
			SWM			3
			TCX			1



SEASONING - IN WATER AT 40°-50°C FOR 2-WEEKS

LONG TIME STORAGE - IN WATER AT ROOM-TEMPERATURE

5076680-R00-S01	REF. DRG. NO.	001	GLASS FIBRE REINFORCED POLYAMIDE MOULDING	SG-10021	KG.	001						
65	REMARKS	75	ITEM NO.	58	DESCRIPTION	59	34	45	55	56	58	65
				46	MATL. SPCN.	54	54	54	A	UNIT	68	71
									C			

28	CARD TYPE-3	28	CARD TYPE-1	28	CARD TYPE-2			
		भारत हेवी इलेक्ट्रिकल्स लिमिटेड भोपाल BHARAT HEAVY ELECTRICALS LTD. BHOPAL			नाम DRN AKU	हस्ताक्षर SIGN sd/-	दिनांक DATE 12.01.77	वे. र. की संख्या NO. OF VAR. -
विभाग DEPT SWE	अन. टोल. नाप की श्रेणी UNTOL.DIMS. GR. M		अनुपात SCALE 2:1	भार कि.ग्रा. WEIGHT (K.G.) -	असेम्बली का संदर्भ REF. TO ASSY. DRG. -	मद क्र. ITEM NO. -	मद संख्या NO. OF ITEM 001	
कोड CODE 409	आ. 0230208	शीर्षक/TITLE CENTERING DISC			आरेख क्र./DRAWING NO. 5560014		पुन/REV. 01	
पृष्ठ क्र./SHT. No. 01				पृष्ठों की संख्या/NO. OF SHT. 01				