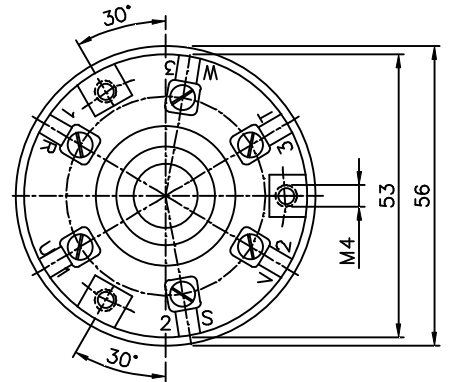
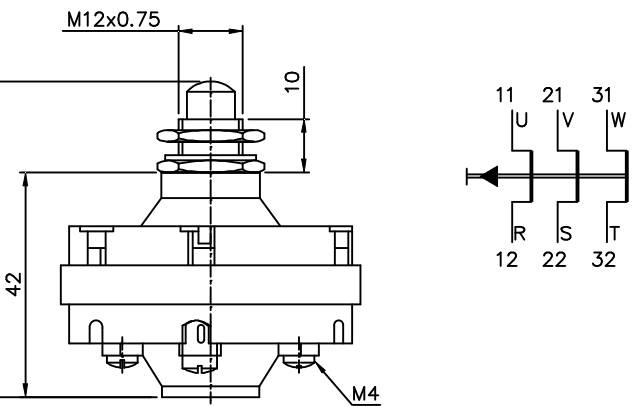


THE INFORMATION ON THIS DOCUMENT IS THE PROPERTY OF BHARAT HEAVY ELECTRICALS LIMITED IT MUST NOT BE USED DIRECTLY OR INDIRECTLY IN ANY WAY DETRIMENTAL TO THE INTEREST OF THE COMPANY

FIRST ANGLE PROJECTION (ALL DIMENSIONS ARE IN mm)

REV.	DATE	ALTERED	REV.	DATE	ALTERED	ADDITIONAL INFORMATION
		CHECKED	01		CHECKED	
		APPROVED			APPROVED	



BOTTOM VIEW

3 POLE DESIGN WITH NORMALLY OPEN CONTACT
 SWITCH CAPACITY 25 A(10) 380 V ~.
 MAKE-MARQUARDT TYPE-1380.0401

5582370-R00-S01 REF. DRG. NO.	65	75	25	27	29	58	59	34	45	55	56	58	65
	REMARKS	ITEM NO.	DESCRIPTION	STD	MATL. CODE	MATL. SPCN.	UNIT	UNIT W.T.	QTY.				
SIGN. & DATE	28 → CARD TYPE-3			28 → CARD TYPE-1			28 → CARD TYPE-2						
	HAKjr gsoh bysDV&hdYl fyfeVsM HAKsiky BHARAT HEAVY ELECTRICALS LTD. BHOPAL			uke NAME cuk:k DRN tkap:k CKT vuqekafnr APPD	dlrk SIGN Sd/- Sd/- Sd/-	fruaqkd DATE 19.09.82 22.09.82 23.09.82	osf_l dh laq;k NO. OF VAR.						
INVENTORY NO.	foHAKs DEPT SWE	vu_ Vky_ uki dh Jsa.kh UNTEL.DIMS. GR.	vuglkr SCALE	HAKj fd_xk- WEIGHT (KG)	vis_M&kbZax dk lanHAZ REF. TO ASSY. DRG.	en d_- ITEN NO.	en laq;k NO. OF ITEM						
	409	M AA 0230208	1:1		5018573	-	001						
'Ah"AZ							LIMIT SWITCH (ON LOAD TAP CHANGER)		vkjs[A d-DRG.ING NO. 5582370		iquREV. 01		
							i="B d_-SPT. No. 01		i="Bksa dh laq;NO OF SHT. 01				