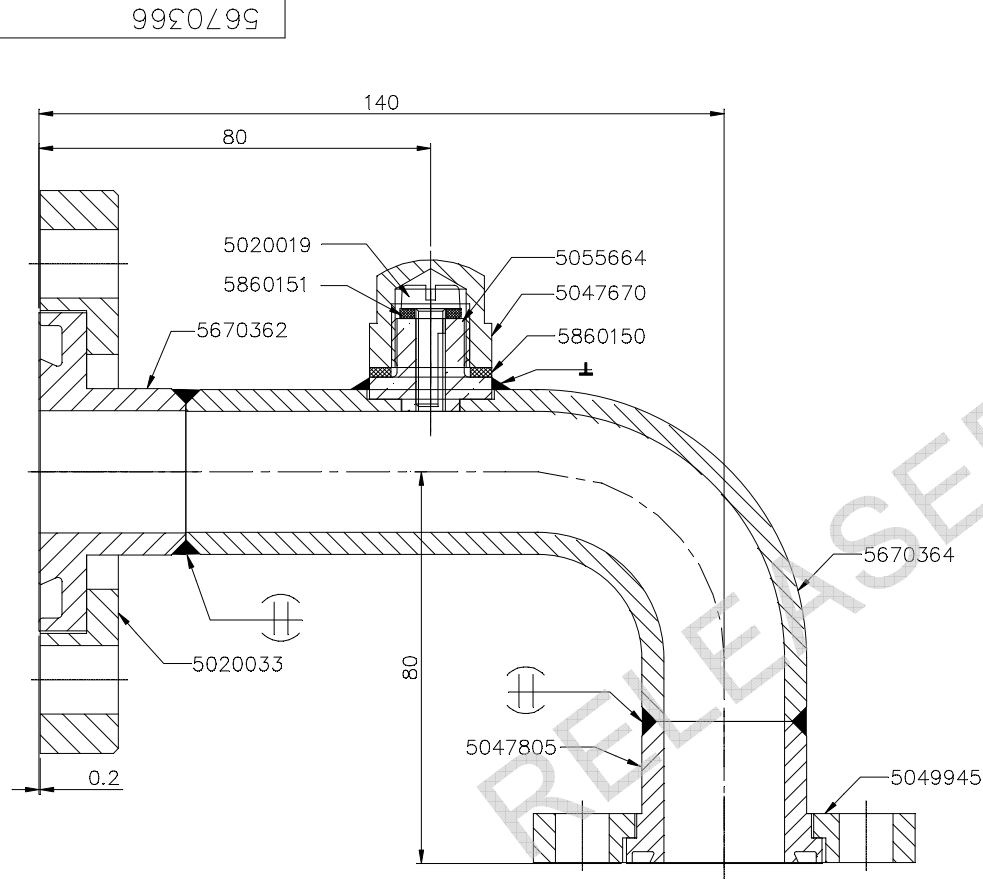


IT MUST NOT BE USED DIRECTLY OR INDIRECTLY IN ANY WAY DETRIMENTAL TO THE INTEREST OF THE COMPANY.




TOOL LIST		
ITEM	TOOL	DESCRIPTION
-	1463344	WELDING FIXTURE

NOTE: -

- ALL WELDS TO BE GR.IV TO AA 062 21 01.
- PRESSURE TIGHT ACCORDING TO SG-13005.
- APPLY TRP CASTROL-RUSTILO 630/HP-RUSTOP 285 ON INSIDE & MACHINED SURFACES AND 2- COAT OF ANTI-CORROSIVE PRIMING PAINT AA56101 ON OUTSIDE FOR STORAGE.

5670366-R03-S01
REF.DRG.NO.
SIGN. & DATE
INVENTORY NO.

ADDITIONAL INFORMATION				TYPE OF PRODUCT OR NAME OF CUST/PROJ ON LOAD TAP CHANGER							
STATUS OF DRAWING B				 BHARAT HEAVY ELECTRICALS LIMITED BHOPAL				NAME	SIGN	DATE	NO. OF VAR
DISTRIBUTION OF PRINTS								DRN	AKU	sd/-	14.09.91
SWE	SWM	TCX		CKD	IJS	sd/-	14.09.91				
1	3	1		APPD	YUP	sd/-	21.09.91				
REV 04	DATE 02.12.09	ALTD CKD APPD	AKU SKP AKI	DEPT SWE CODE 409	UN. TOL.DIM.GR. M AA 0230208	SCALE 1:1	WEIGHT (KG.)	REF TO ASSY 5086485	ITEM NO. 001	NO.OF ITEMS 001	
DRAWING REDRAWN (DCA NO.-29395)				TITLE PIPE CONNECTION ASSEMBLY				DRG NO 5670366		REV. 04	
				SHT.NO. 01		NO. OF SHT.		01			