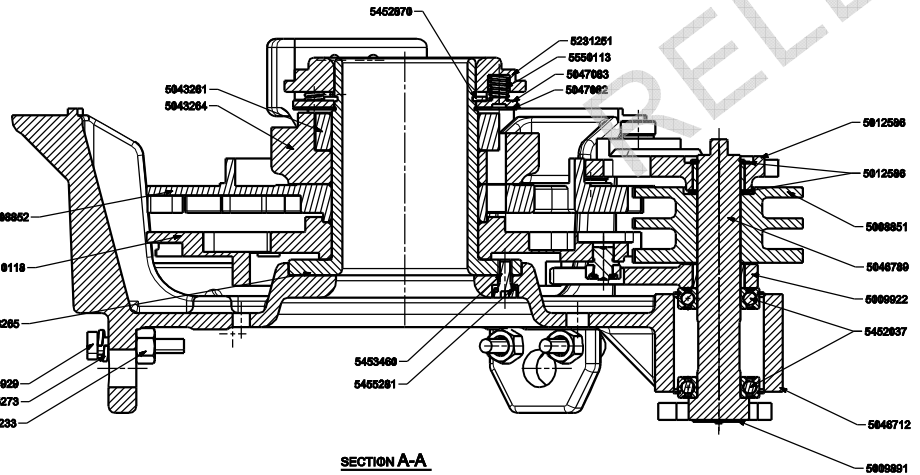
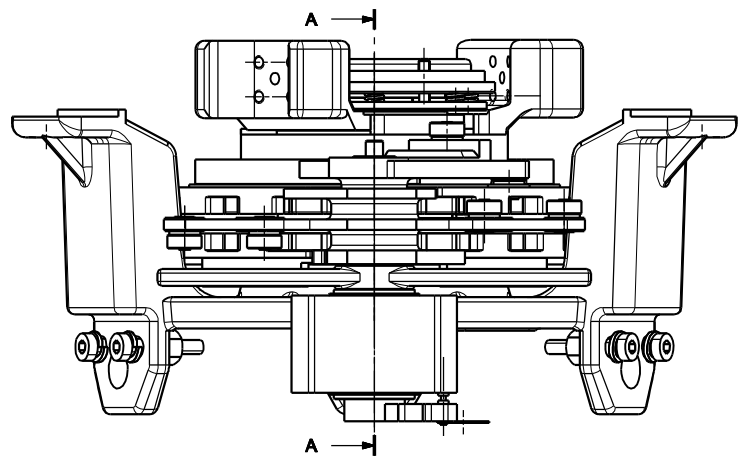
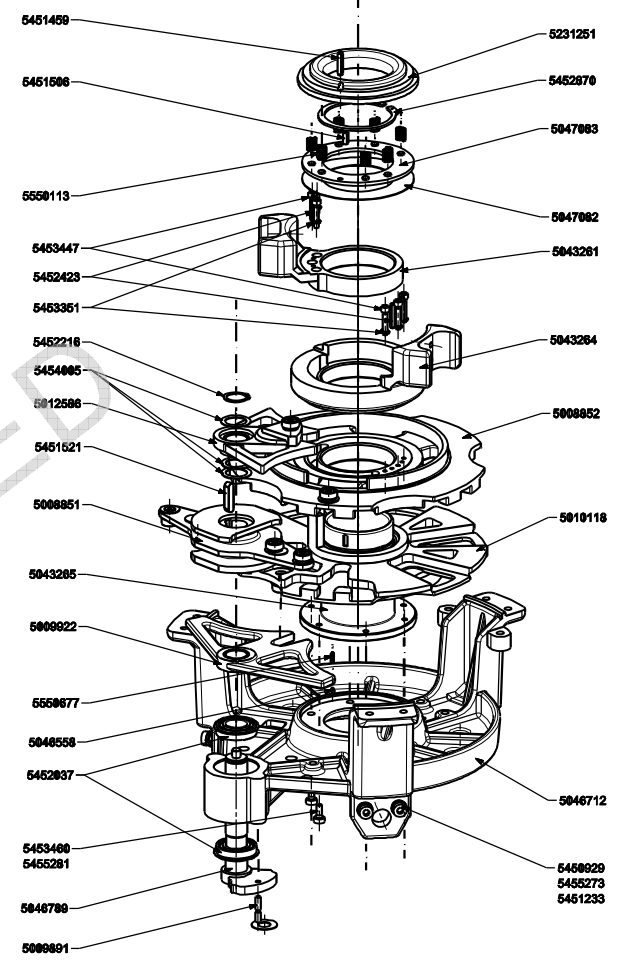


9270789



SECTION A-A



BOMBAY HEAVY ELECTRICALS LIMITED
THE WORKS AT BOMBAY HEAVY ELECTRICALS LIMITED, P. O. BOMBAY HEAVY ELECTRICALS, BOMBAY 400 001, INDIA
BOMBAY HEAVY ELECTRICALS LIMITED, P. O. BOMBAY HEAVY ELECTRICALS, BOMBAY 400 001, INDIA

REMARKS	REV. NO.	DESCRIPTION	MATL. CODE	QTY.	UNIT	WT.

FACTORY INFORMATION: NAME OF CUSTOMER/PROJECT: ON LOAD TAP CHANGER STATUS OF DRAWING: DISTRIBUTION OF PRINTS: 1 3 1 SIZE: SWM TCK	DRAWING NO.: 5670478 DATE: 11/87 SCALE: 1:1 MATERIAL: BRONZE REF. TO ASSY. Dwg. No. 5670478
--	---

REV. DATE	BY	CHKD.	APPV.	REASON	REV. DATE	BY	CHKD.	APPV.	REASON

TITLE: SEL GEAR ASSY	DRAWING NO.: 5670478	REV. NO.: 01
----------------------	----------------------	--------------