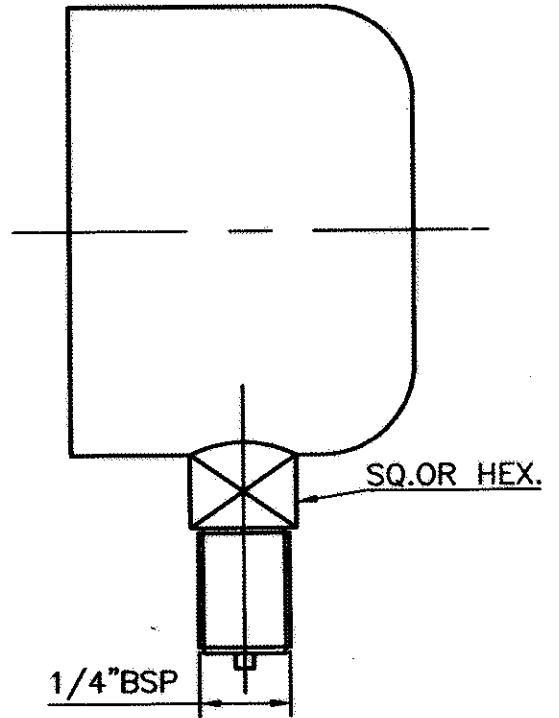
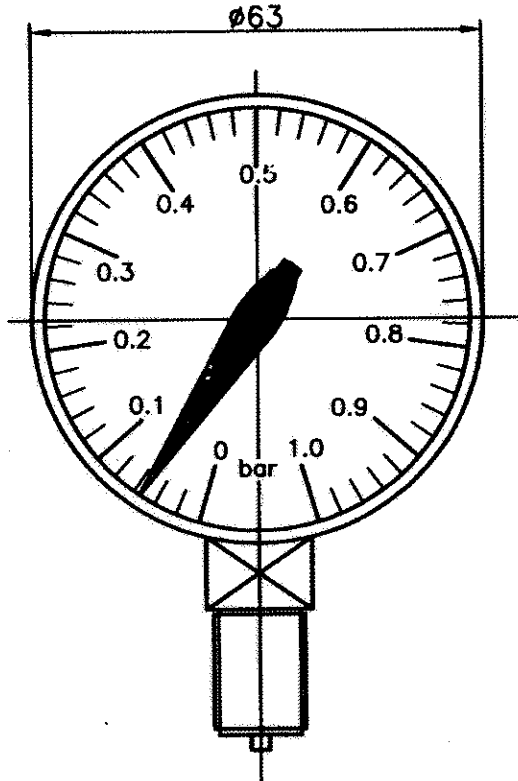


FIRST ANGLE PROJECTION

(ALL DIMENSIONS ARE IN mm)


THE INFORMATION ON THIS DOCUMENT IS THE PROPERTY OF BHARAT HEAVY ELECTRICALS LIMITED IT MUST NOT BE USED DIRECTLY OR INDIRECTLY IN ANY WAY DETRIMENTAL TO THE INTEREST OF THE COMPANY

REV.	DATE	ALTERED CHECKED APPROVED	REV. 04	DATE 20/03/04	ALTERED P.K.Samuel CHECKED APPROVED	ADDITIONAL INFORMATION	STANDARD
DRG.RETRACED.					STATUS OF DRAWING		
					DISTRIBUTION O.C.-1 TCX(PLM)-1 OF PRINTS PLM-4		



TECH.REQUIREMENT:-

1. MEASURING RANGE- 0 TO 1 BAR.
2. ACCURACY $\pm 2\%$ FSD.
3. PRESSURE GAUGE SHALL BE GLYCERINE FILLED HAVING STAINLESS STEEL CASE WITH BRASS INTERNALS.
4. DIAL SHOULD BE OF WHITE BACKGROUND WITH POINTER & LETTERS IN BLACK.

REF. DRG. NO.	001		PRESSURE GAUGE		BP9033031299				
	REMARKS	ITEM NO.	DESCRIPTION	STD	MATL. CODE	MATL. SPCN.	UNIT	UNIT WT.	QTY.
SIGN. & DATE	28 --- CARD TYPE-3		28 --- CARD TYPE-1		28 --- CARD TYPE-2				
	 BHARAT HEAVY ELECTRICALS LTD. BHOPAL				NAME	SIGN.	DATE	NO. OF WR.	
INVENTORY NO.	DEPT AME	GRADE OF UNTO.	SCALE	WEIGHT (K.G.)	REF. TO ASSY. DRG.	ITEM NO.	NO. OF ITEM		
	CODE 404	0mg/mf	N.T.S.	-					
TITLE					DRAWING NO.		REV.		
PRESSURE GAUGE					44020940001		04		
					SHT. No.-01	NO. OF SH. -01			

PKS1/GENERAL ASSY/44020940001