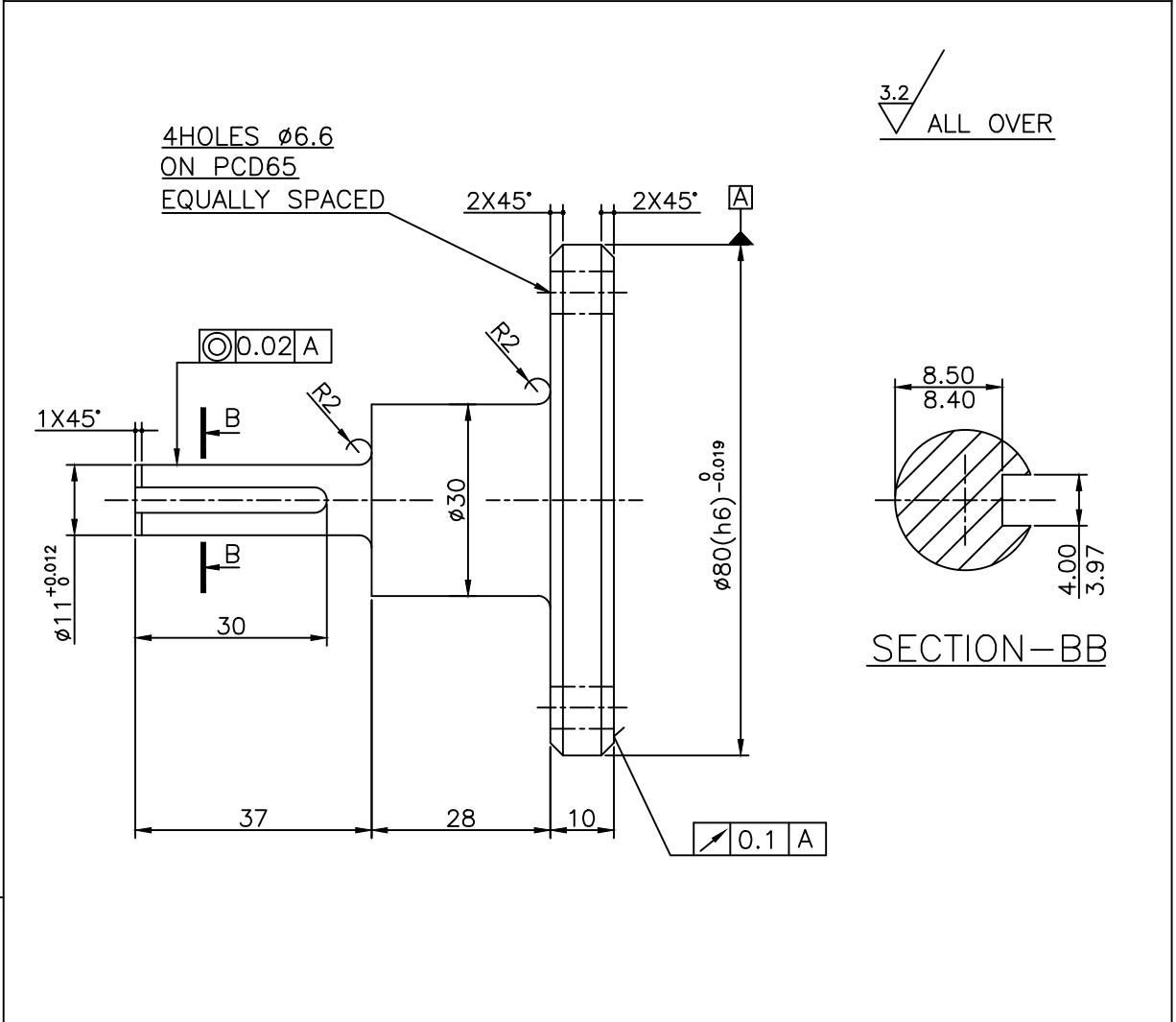


FIRST ANGLE PROJECTION

(ALL DIMENSIONS ARE IN mm)

THE INFORMATION ON THIS DOCUMENT IS THE PROPERTY OF BHARAT HEAVY ELECTRICALS LIMITED. IT MUST NOT BE USED DIRECTLY OR INDIRECTLY IN ANY WAY DETRIMENTAL TO THE INTEREST OF THE COMPANY.

REV	DATE	ALTERED	REV	DATE	ALTERED	UPENDRA	ADDITION INFORMATION
		CHECKED	03	04.06.14	CHECKED	RPB	W.O. 45049A422-11
		APPROVED			APPROVED	DKD	STATUS OF DRAWING
						DRG. REDRAWN & UPDATED.	
						DISTRIBUTION OF PRINT	
						OC-1	TEX(PLM)-1
						PLM-3	IMM-3



REF. DRG. NO.	01	STUB SHAFT $\phi 90 \times 90$ LONG	BP1020213914	4.5							
	REMARKS	ITEM NO.	DESCRIPTION	UNIT WT.							
	65	75 25 27 29	58	59 34	45 55 56-57	58	65				
SIGN. & DATE	BHARAT HEAVY ELECTRICALS LTD. BHOPAL	DRN	LDV	-Sd/-	22.05.96	73 NO. OF VAR					
		CKD	AKB	-Sd/-	22.05.96						
		APPD	SG	-Sd/-	22.05.96						
INVENTORY NO.	DEPT.	AME	SCALE	N.T.S.	WEIGHT (kg)	1.10	REF. TO ASSY. DRG.	14021040118	ITEM NO.	33	75 NO. OF ITEMS
	GRADE OF UNTOL. DIM. C/M/F										
	CODE	404									
TITLE							DRAWING NO.		44020842020		76 REV.
							SHEET NO.		NO. OF SHEET		