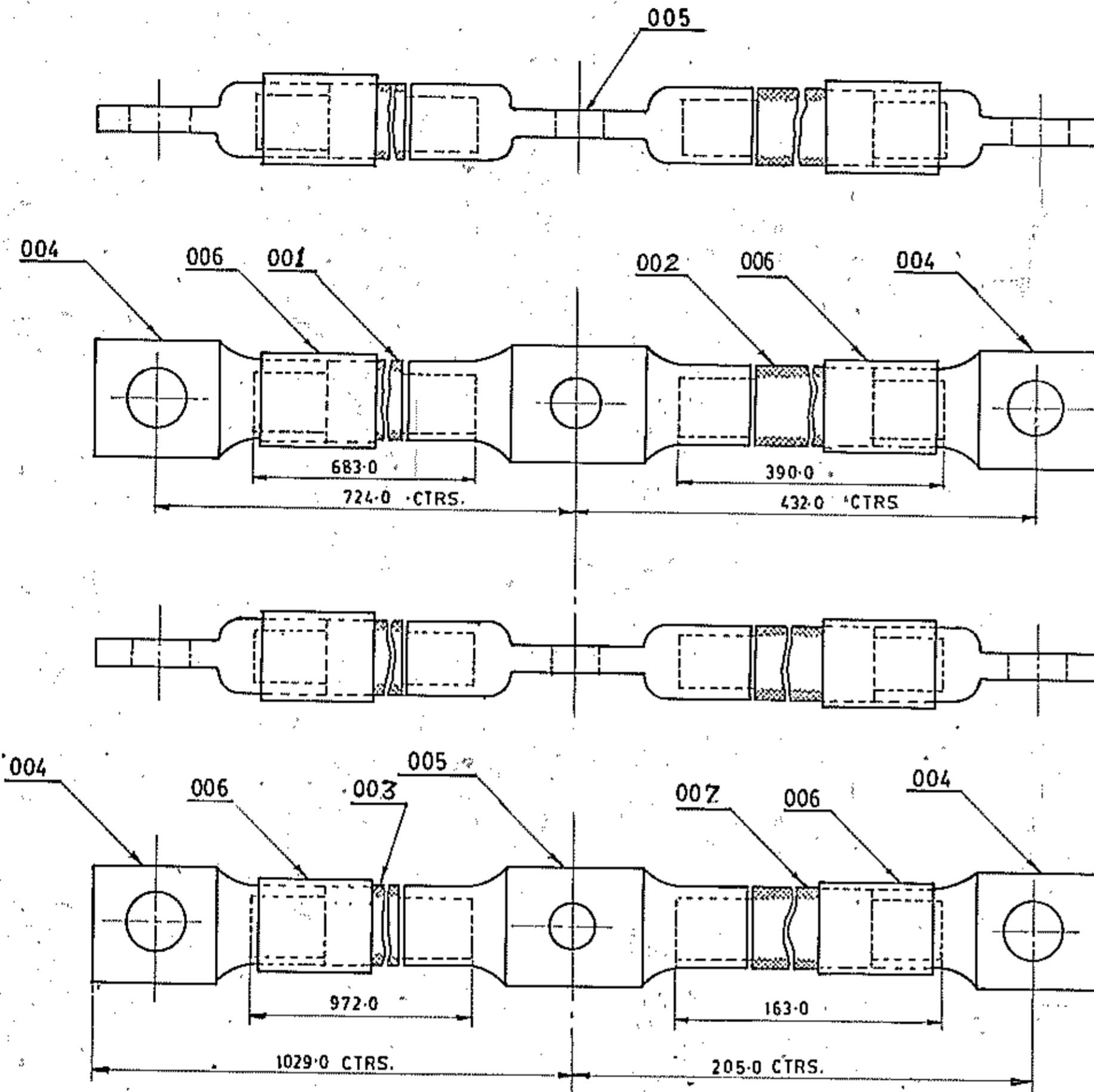


FIRST ANGLE PROJECTION

(ALL DIMENSIONS ARE IN mm.)

DRG. NO. 2-439 30 41 002



NOTES:—

1. IT-004 & 005 ARE TO BE CRIMPED ON TO THE FLEXIBLE CABLE ITEM 003.
2. (a) CONSISTING OF 1075 mm OF ITEM 003, 2 OFF ITS 004 & 006, 1 OFF ITEM 005.
(b) CONSISTING OF 1135 mm OF ITEM 003, 2 OFF ITS 004, 006 & 001 OFF IT 005.
3. 70 Sq.mm.; 360/0.5 STRANDING NO./DIA OF WIRE, 660/1100V, HEAT RESISTING RUBBER AND POLYCLOROPRENE INSULATED SINGLE CORE CABLE.
4. ALT. TAPE 2 LAYERS 0.18TKX25 WIDE ADHESIVE GLASS TAPE TO BP 25790 TO SEAL THE CABLE JOINT.
5. ST. NO. FOR VAR-00-454352
ST. NO. FOR VAR-01-454353
6. TOLERANCE ON UNTOLERATED DIM. TO BE ±0.5MM.
7. TOLERANCE ON CABLE LENGTH ±5MM.

TOOL LIST

| ITEM NO | TOOL | DESCRIPTION |
|---------|---------|-----------------|
| 004&005 | 1450756 | PRESSING TACKLE |
| 004&005 | 1451363 | PRESSING PIECE |
| 004&005 | 1451364 | PRESSING PIECE |
| ASSY | 1454014 | CRIMPING DIE |

| ITEM NO | QTY | DESCRIPTION | DRAWING NO. | MATL CODE | UNIT | UNIT WT. | QTY | ZONE |
|---------|-----|---|---------------------------|-----------|------|----------|-----|------|
| 001 | 1 | BRUSH GEAR CABLE 70 SQ MM X 163 | | | KG | 0.15 | | D-6 |
| 002 | 002 | ST. 454107 SEE NOTE 4 | | | KG | 0.01 | | E-7 |
| 001 | 001 | 006 12MM7/DX1.5 TK SILICONE ELAST. RUBBER BINDING SLEEVE X 25 | AA 59601 | | KG | 0.10 | | F-6 |
| 002 | 002 | 004 TERMINAL. | 3 439 30 41 011 | 001 | KG | 0.07 | | E-5 |
| 001 | 1 | SEE NOTE-7 | | | KG | 0.70 | | D-7 |
| 001 | 001 | 003 BRUSH GEAR CABLE 70 SQ MM X 972 | | | KG | 0.30 | | C-6 |
| 001 | 001 | 002 BRUSH GEAR CABLE 70 SQ MM X 390 | AA 2851241087 AA 28541 | | KG | 0.50 | | E-6 |
| 001 | 001 | 001 BRUSH GEAR CABLE 70 SQ MM X 683 | AA 2851241087 AA 28541 | | KG | 0.50 | | E-6 |

ADDITIONAL INFORMATION

E 4700188
STATUS OF DRAWING

DISTRIBUTION OF PRINTS
O/C-1 TXM - 3
TNX-1

TYPE OF PRODUCT TRACTION MOTOR TM 4601 AZ/BZ & TM 4603 AZ/ BZ

NAME OF CUSTOMER/PROJECT MG DE LOCO

| | | | | |
|--|------------|-------------|----------|-------------|
| BHARAT HEAVY ELECTRICALS LIMITED BHOPAL | DRN. NAME | SIGN. | DATE | NO. OF VAR. |
| | CHD. SGP | SGP | 27-10-88 | |
| | APPD. SICB | Asst. Secy. | 3-11-88 | 01 |

| | | | | | | |
|-----------|-----------------------------|-------|-------------|--------------------|----------|--------------|
| DEPT. TME | GRADE OF UN. TOL. DIM./FIN. | SCALE | WEIGHT/Kg-I | REF. TO ASSY. DRG. | ITEM NO. | NO. OF ITEMS |
| 405 | | 1:1 | | 0 439 30 41 001 | 001 | 006 |

TITLE FLEXIBLE CONNECTORS (FOR BOLTED CONNECTION)

CARD CODE DRAWING NO. 2 439 30 41 002

SHEET NO. 01 NO. OF SHEETS 01

| REV. | DATE | ALTD. | OR. | REV. | DATE | ALTD. | OR. |
|------|---------|---------|-----|------|---------|-------|-----|
| 01 | 13-1-87 | CHECKED | AKB | 02 | 4-12-92 | CRD | AKB |
| 03 | 1-11-93 | CRD | AKB | | | | |

NOTE 6 & 7 WERE NOT ON.
BOM & VIEW MODIFIED. R-IT. 007 WAS NOT ON. NOTE ONE WAS ON. NOTE 5 WAS NOT ON.
BOM UPDATED.

IN BOM ITS 004, 005 DRG NO 3 439 30 41 010 & 3 439 30 41 011 WERE 3 439 30 41 002 IN ERROR.

THE INFORMATION ON THIS DOCUMENT IS THE PROPERTY OF BHARAT HEAVY ELECTRICALS LIMITED. IT MUST NOT BE USED DIRECTLY OR INDIRECTLY IN ANY WAY DETRIMENTAL TO THE INTEREST OF THE COMPANY.

INVENTORY NO. SIGN. & DATE REF. DRG. NO.