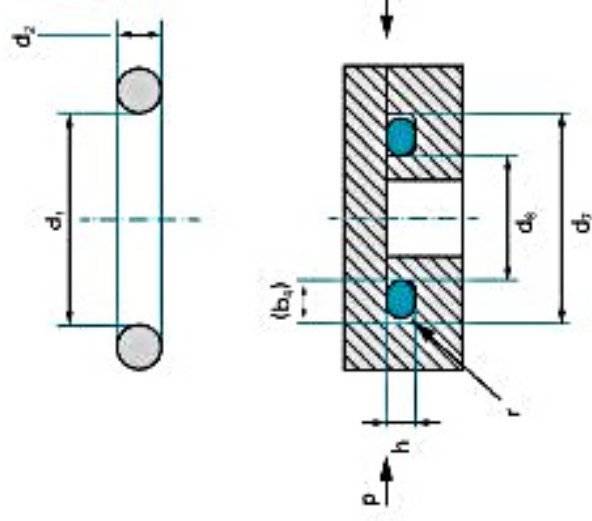


LOAD AXIAL SEALING (External pressure)



Input

	[mm]	Standard/Fit	Lower Tolerance Limit [mm]	Upper Tolerance Limit [mm]
Groove Outside-Ø (d_1)	108.200	H9 ¹	0.000	0.087
Groove Inside-Ø (d_2)	93.000	h9 ²	-0.087	0.000
Seal housing height (h)	4.200	recom.	0.000	0.100
Groove Radius (r)	0.300	recom.	-0.100	0.100
O-Ring Inside-Ø (d_1)	91.44	ISO ²	-0.77	0.77
Cross-Section-Ø (d_2)	5.33	ISO ²	-0.13	0.13



O-Ring Material Group

FKM

O-Ring Material Hardness [IRHD]

70

Linear Thermal Expansion Coefficient 10⁴ K⁻¹

0.00025

Temperature [°C]

23

Note:

Operating pressure- 1.2 bar
Design pressure- 8 bar.
Operating Temp- 50degree
Medium- SF6

TSS recommended O-Ring:- ORAR00342-V70

¹ in accordance with ISO 286-2 | ² ISO = in accordance with ISO 3601-1, Tolerances Class B