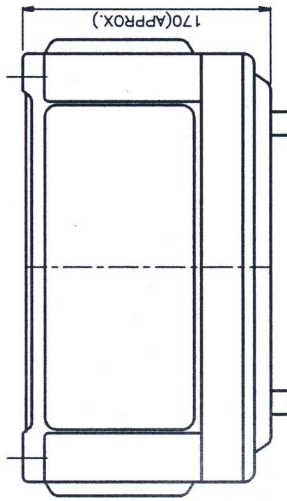
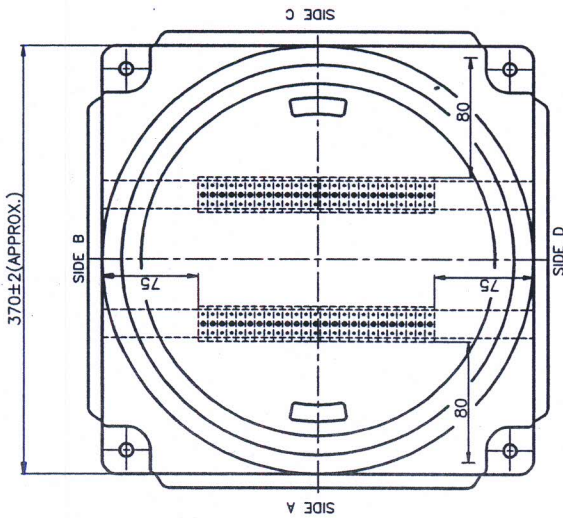


FIRST ANGLE PROJECTION

DRG. NO. 34032340005

TECHNICAL DATA:-

ENCLOSURE:- Ex-d, GAS Gr. IIC AS PER IS:2148/IEC 60079-1 & IS:13346-/IEC 60079-0
 PROTECTION:- IP-65 AS PER IS:12063.
 AREA CLASSIFICATION:- ZONE-1 & 2 AREA AS PER IS:5572.
 MATERIAL OF CONSTRUCTION:- CAST ALLOY-LM6.
 TERMINALS:- CLIPON TYPE RAIL MOUNTED 2.5 Sq.mm x 72 NOS. - SCREW LESS TERMINAL MOUNTED ON RAILS.
 GASKET:- ENDLESS, MOULDED NEOPRENE.
 ALL THE CABLE GLANDS (AS PER TABLE) SHOULD BE FLP(Exd) BRASS NI.DOUBLE COMPRESSION CERTIFIED FOR ZONE-1,GAS GRII C
 EARTHING:- 1 NO. INSIDE & 2 NOS. OUTSIDE, M6 SIZE.
 FINISH:- LIGHT GREY EPOXY SHADE 631 AS PER IS:5.SUITABLY PROTECTED AGAINST CORROSION.
 HARDWARE:- STAINLESS STEEL.
 TAG PLATE:- 1 NO.
 CERTIFICATE FROM STATUTORY AUTHORITIES LIKE - CIMFR/ERTIL etc. &
 COOE CERTIFICATE TO BE FURNISHED BY SUPPLIER.



ACCEPTABLE MODELS OF VARIOUS SUPPLIERS

SL. NO.	SUPPLIER	MODEL NO.
1	FCG CONTROL GEAR	IJ61340
2	FCG POWER	TBS61300
3	BALIGA	DC-6300-3
4	PROMPT ENGS.	PEW/JB/011

CABLE GLANDS & TERMINAL DETAILS:-

ITEM NO.	SIDE-A 2 Nos.	SIDE-B 2 Nos.	SIDE-C 2 Nos.	SIDE-D 4 Nos.	TERMINAL SIZES
1	1" GLAND WITH 3/4" REDUCER & STOPPING PLUG	1" GLAND WITH 3/4" REDUCER & STOPPING PLUG	1" GLAND WITH 3/4" REDUCER & STOPPING PLUG	1 1/2" GLAND WITH 1" REDUCER & STOPPING PLUG	2.5mm ² x 72nos.

THE INFORMATION ON THIS DOCUMENT IS THE PROPERTY OF BHARAT HEAVY ELECTRICALS LIMITED
 IT MUST NOT BE USED DIRECTLY OR INDIRECTLY IN ANY WAY DETRIMENTAL TO THE INTEREST OF THE COMPANY

REF. DRG. NO. G3 891/W/0184
 REV 00 OF M/S CEAG BOMBAY

INVENTORY NO.

REV. DATE ALTERED CHECKED APPROVED

REV. DATE ALTERED CHECKED APPROVED

ADDITIONAL INFORMATION

STD
 STATUS OF DRAWING

DISTRIBUTION OF PRINTS

AME - 1

TYPE OF PRODUCT
 CUSTOMER



DEPT	AME	UNTOOLING. OR.	SCALE	WEIGHT (K.G.)	REF. TO ASST. DRG.	NAME	SIGN	DATE	NO. OF VAR.
404	404		NTS			RPB		13.1.10	
						NK/DKD		13.1.10	

TITLE
 AUX. TERML. BOX FOR RTDs & BTDS (Ex'd' TYPE)

DRAWING NO. 34032340005
 SHT. No. 01 NO. OF SHT. 01
 REV 00