



उत्पाद मानक
संघारित्र
अधिकार प्रदाता

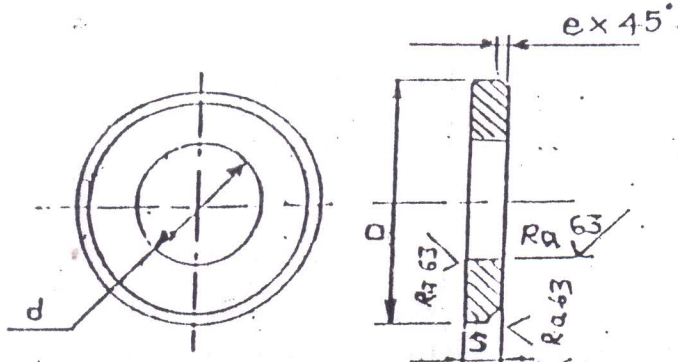
PRODUCT STANDARD
CAPACITOR
ENGG. INSTRUCTION

CR 90076

पृष्ठ नं

PAGE 1 OF 1

TITLE WASHER STAINLESS STEEL



नियंत्रित प्रति
CONTROLLED COPY

ITEM NO.	SIZE NOM d H12	STYLE NO.	OUTSIDE DIAMETER D		THICKNESS S		e NOM	FOR BOLT OR SCREW SIZE	WEIGHT KG.	REMARKS
			BASIC	TOL.	BASIC	TOL.				
001	4.3		9	+0 -0.3	0.8	±0.1	0.3	M4	0.00029	
002	5.3		10	+0 -0.3	1.0	±0.1	0.4	M5	0.00042	
003	6.4		12.5	+0 -0.4	1.6	±0.2	0.6	M6	0.00103	
004	8.4		17	+0 -0.5	1.6	±0.2	0.6	M8	0.00207	
005	10.5		21	+0 -0.5	2.0	±0.2	0.6	M10	0.00398	
006	13.0		24	+0 -0.5	2.5	±0.3	0.6	M12	0.00616	
007	17.0		30	+0 -0.5	3.0	±0.3	0.6	M16	0.01110	
008	21.0		37	+0 -0.8	3.0	±0.3	1.0	M20	0.01670	
009	25.0		44	+0 -0.8	4.0	±0.3	1.0	M24	0.03170	

- Material : AISI Steel 304 Gr.C1 Property class 50 as per Table 3 of IS : 1367 (Pt. 14).
- Dimensions, Tolerance : To IS: 2016-67 (Table-1) reaffirmed 1991 & General requirements for Machined washers. IS: 2016-67 (Table-2) for Punched washers.
- T.C. for chemical & mechanical properties shall be furnished as called in IS 1367 (Pt.14).
- Finish : Clean bright and free from burrs.

FORM No.
CPE-2092

REV. 03
DATE 08-01-99

AISI STEEL 304 CORRECTED AT 1.

वितरण DISTRIBUTION
CPE-1
TRX-1
OCX-1
CPH(S)-1
CPH(P)-1

स्वीकृत किया
APPROVED: (A.K. BHATTACHARYA)

तैयार किया PREPARED
जारी किया ISSUED
दिनांक DATE
S.R. KARIATH
सीपीई मानक CPE/STO
28.04.95

COPYRIGHT AND CONFIDENTIAL
The information in this document is the property of HMT HEAVY ELECTRICALS LIMITED. It must not be used directly or indirectly in any way detrimental to HMT.