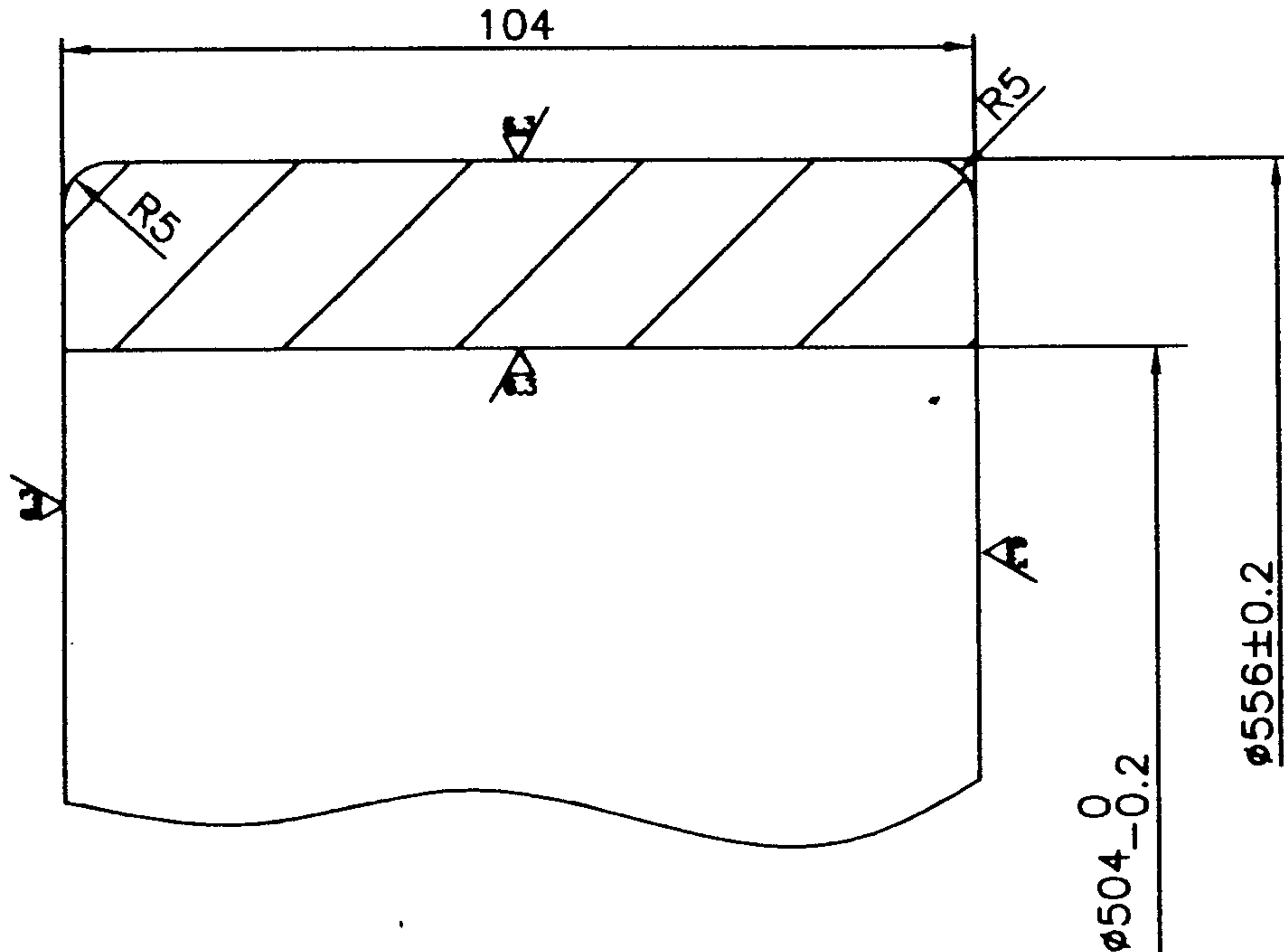


FIRST ANGLE PROJECTION

(ALL DIMENSIONS ARE IN mm)

THE INFORMATION ON THIS DOCUMENT IS THE PROPERTY OF BHARAT HEAVY ELECTRICALS LIMITED. IT MUST NOT BE USED DIRECTLY OR INDIRECTLY IN ANY WAY DETRIMENTAL TO THE INTEREST OF THE COMPANY.

REV	DATE	ALTERED	REV	DATE	ALTERED	ADDITION INFORMATION
		CHECKED			CHECKED	40137A421-11
		APPROVED			APPROVED	STATUS OF DRAWING
						DISTRIBUTION OF PRINT
						OC-1, PLM-3, TEX-1



TECH. REQUIREMENTS:-

1. RETAINING RING TO BE ULTRASONICALLY AND X-RAY TESTED.

REF. DRG. NO.	B.O.	01	RETAINING RING (ORDERING)				36.00	
	REMARKS	ITEM NO.	DESCRIPTION	STD.	MATL. CODE	A	UNIT WT.	
					MATL. SPCN.	C	QTY.	
SIGN. & DATE	CARD TYPE-3			CARD TYPE-1		CARD TYPE-2		
		BHARAT HEAVY ELECTRICALS LTD.			DRN	NAME	SIGN	DATE
		BHOPAL			CKD	UPENDRA	<i>[Signature]</i>	21.01.11
			APPD	RPB	<i>[Signature]</i>	21.01.11		
INVENTORY NO.	DEPT.	GRADE OF UNTOL.	SCALE	WEIGHT (kg)	REF. TO ASSY. DRG.	ITEM NO.	NO. OF ITEMS	
	AME	DIM. C/M/F	NTS	36.00				
	CODE							
	404							
TITLE					DRAWING NO.	REV.		
RETAINING RING (ORDERING)					44028042107	00		
				SHEET NO.	NO. OF SHEET			

SIZE A4

RPB/44028042107