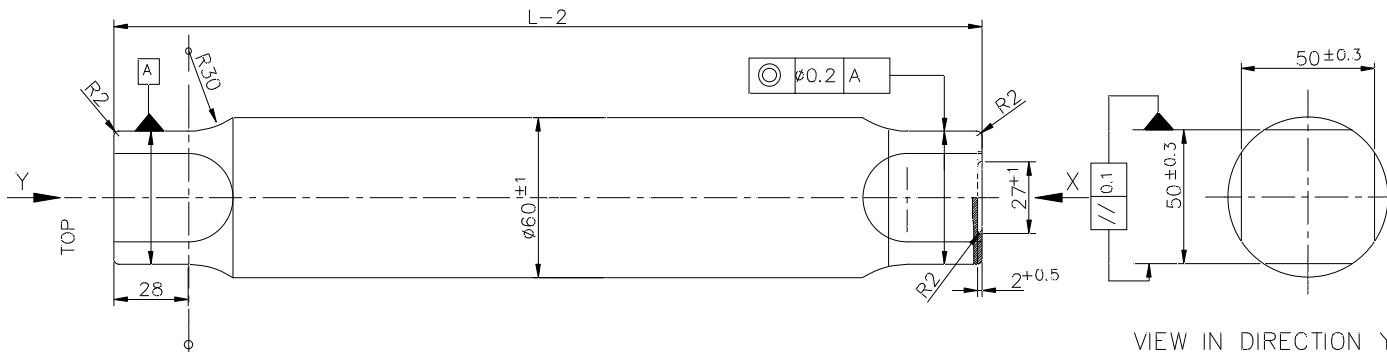
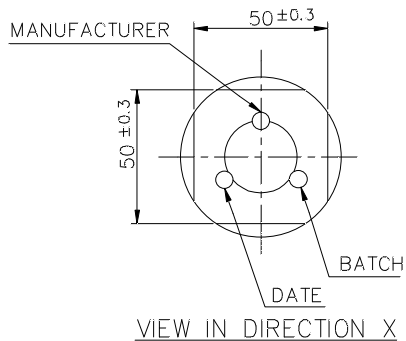


DRG. NO. 5L62472



PART.NO.	VOLTAGE CLASS(KV)						Dim.L
	M	M Δ	M Δ Bet.Ph.	L Long	T Short		
5200374	30				-		153
5200375	60	60			60		178
5200412				60	-		208
5200418			60		-		278
5200376	110	110			110		308
5200413				110	-		338
5200377	150		110	150	150		438
5200369	220			220	220		538
5200370	300			300	300		690

VAR 00	REMARKS	VAR NO.	ITEM NO	DESCRIPTION	STD.	DRAWING NO.	IT.ND	MATL. CODE	UNIT	UNIT WT.	G.S.	ZONE
			001	CALCINED SILICA FLOUR REINFORCED EPOXY MOULDING				SG-10031	KG.	-	-	-
							VAR	MATL. SPECN.	QTY.			

ADDITIONAL INFORMATION			
-			
STATUS OF DRAWING B			
DISTRIBUTION OF PRINTS			
SWE - 1	TCX - 1		
SWM - 3			

mRikn dk i-dkj ;k
 xk-gd@ifj;kstuk dk uke
 TYPE OF PRODUCT OR
 NAME OF CUSTOMER/PROJECT

	HAKjr gsoh bysfDV&dYl fyfeVsM		cu:k;k	uke@ NAME	gLrk@ SIGN	fnaukd@DATE	csfj_dh
	HAKsiky		DRN	AKU	Sd/-	14.5.82	la[k
	BHARAT HEAVY ELECTRICALS LTD. BHOPAL		Wpk	BSR	Sd/-	01.6.82	NO. OF
		vugqkstfj	RKS	Sd/-	06.6.82	VAR	

INVENTORY NO.	REV.	DATE	ALTERED	VD	Sd/-	REV.	DATE	ALTERED	AKU	Sd/-	
	05	23.01.17	CHECKED	KS	Sd/-	04	29.12.09	CHECKED	SKP	Sd/-	
			APPROVED	SKP	Sd/-	03	18.8.07	APPROVED	AKI	-sd-	
		SG-10031 WAS BP22462.				PART NO 5200370 ADDED			DRG. REDRAWN		
		(DCA NO. 34534)				(DCA NO. 29456)			(DCA NO. 26959)		

foHAKx DEPT SWE	vu_Vky_uki dh Js.kh UNTDL.DIMS. GR.	vugjkr SCALE	HAKj fd_xk- WEIGHT (KG.)	vis_M&ktZax dk lanHAZ REF. TO ASSY. DRG.	en_d_- ITEM NO.	en_la[k NO. OF ITEM
409		1:2	-			
'kh'AZd@TLE			vksj[A d-a@DRAWING NO.		iqu_@REV	
			5L62472		05	
			i="B d-a@SHT. No. 01		i="Bksa dh la[k@ NO. OF SHT. 01	

COUPLING SHAFT

5L62472

THE INFORMATION ON THIS DOCUMENT IS THE PROPERTY OF BHARAT HEAVY ELECTRICALS LIMITED IT MUST NOT BE USED DIRECTLY OR INDIRECTLY IN ANY WAY DETRIMENTAL TO THE INTEREST OF THE COMPANY

5L624/5L62472/R03/S01

SIGN. & DATE REF. DRG. NO.