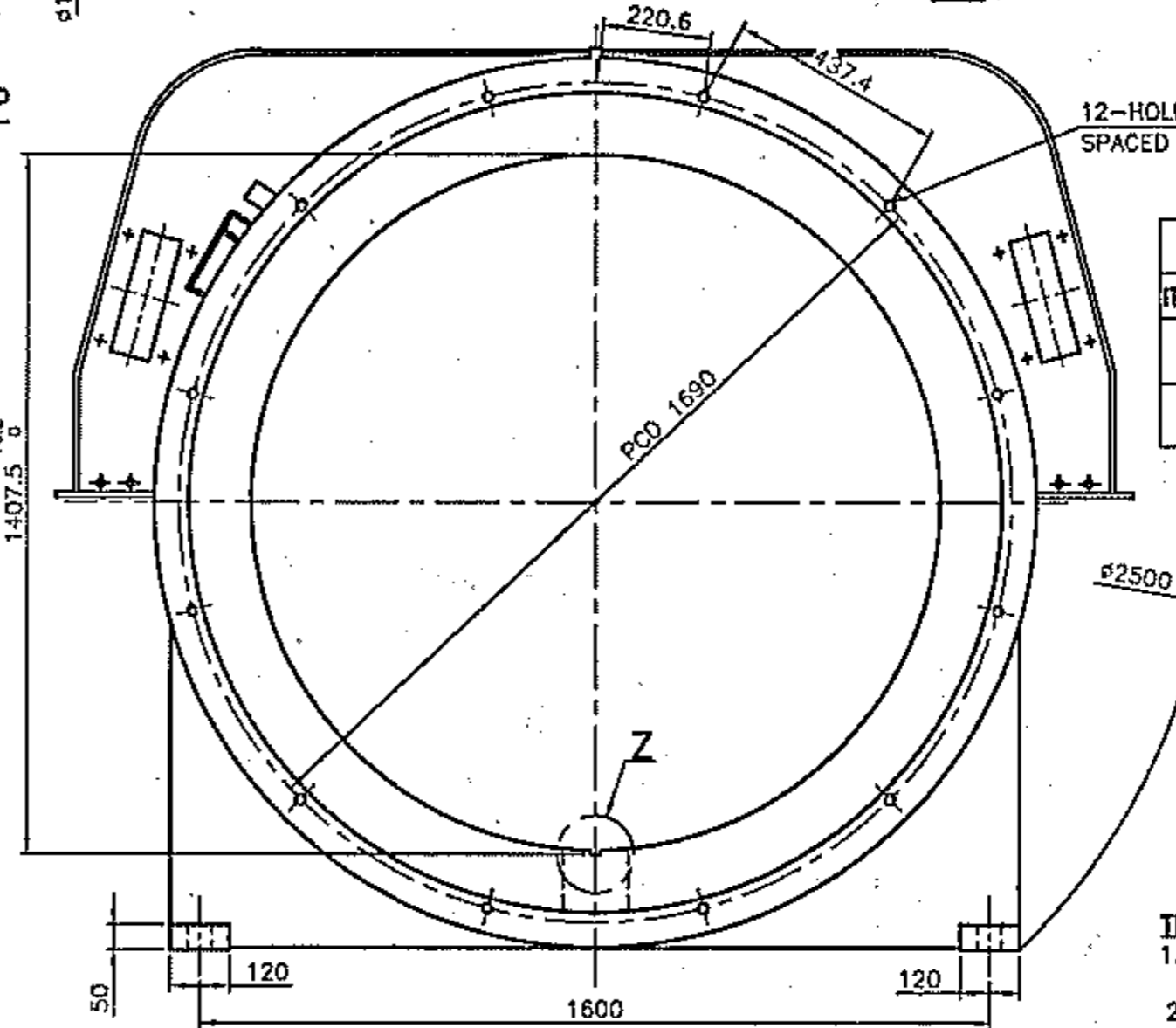
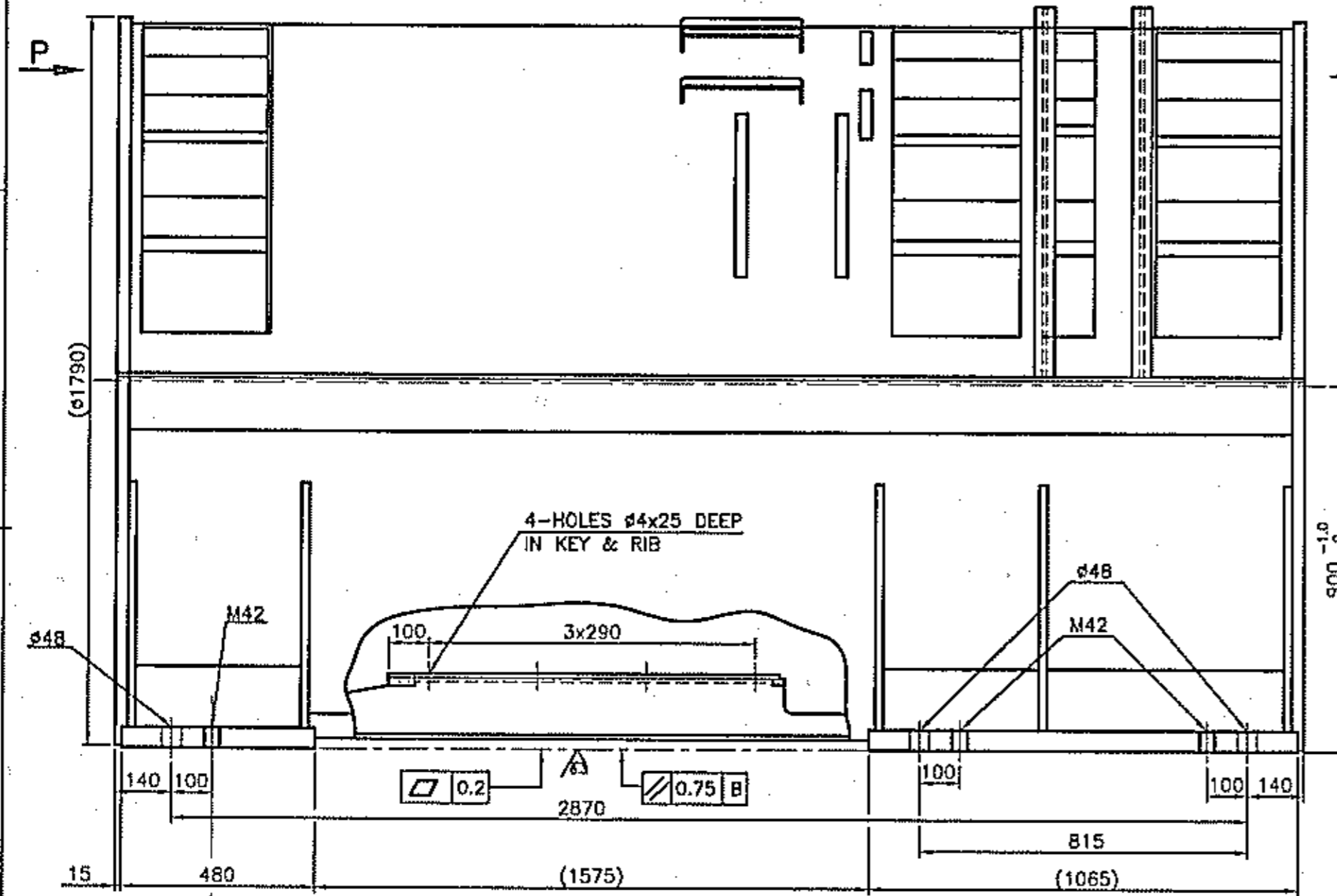
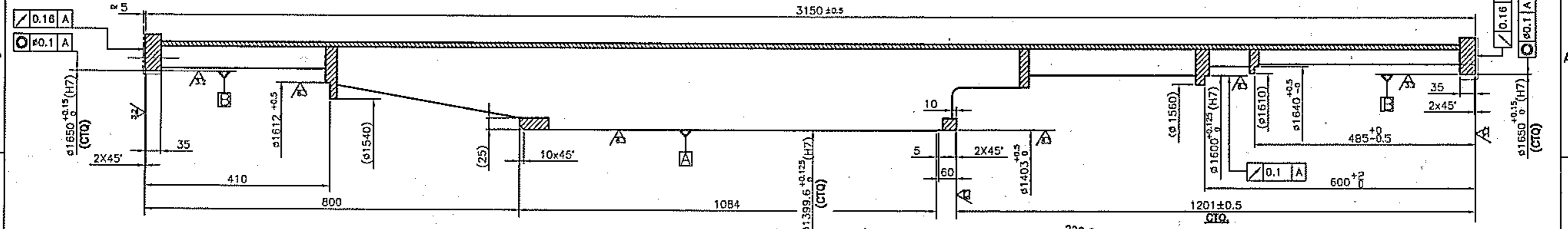


FIRST ANGLE PROJECTION

(ALL DIMENSIONS ARE IN mm)

DRG. NO. 24027140134

THE INFORMATION ON THIS DOCUMENT IS THE PROPERTY OF BHARAT HEAVY ELECTRICALS LIMITED. IT MUST NOT BE USED DIRECTLY OR INDIRECTLY IN ANY WAY DETRIMENTAL TO THE INTEREST OF THE COMPANY.

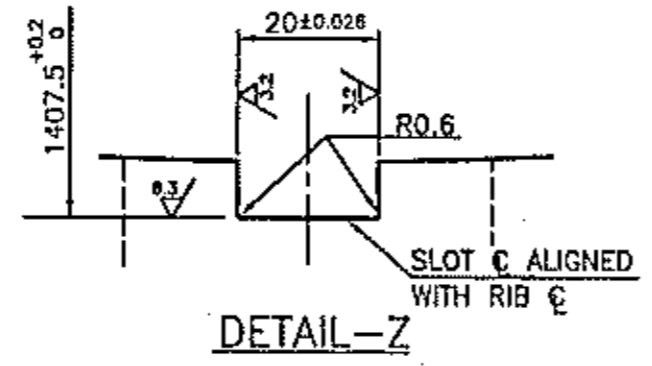
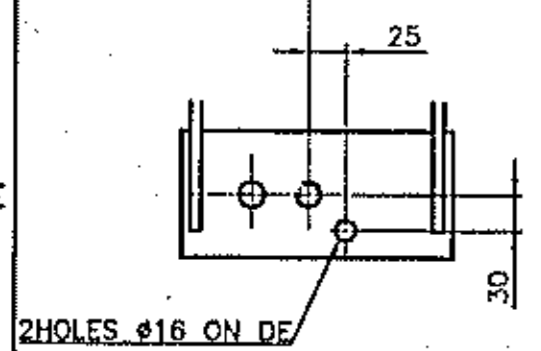


TOOL LIST		
IT.NO.	TOOL NO.	DESCRIPTION
	1610077	COMMON DRILL PLATE ON PCD 1690
	1610084	ADAPTER PLATE FOR φ1650.

GES. NO. 404556692 VAR.00

TECH. REQUIREMENTS:-
 1. DIMENSIONS MARKED AS "CTQ" ARE CRITICAL TO QUALITY REFER AM 54168.
 2. DIMENSION WITHIN BRACKETS ARE FOR REFERENCE ONLY.

VAR.00	REMARKS	VAR. NO.	ITEM NO.	DESCRIPTION	DRAWING NO.	UNIT	QTY.	ZONE
04		003		DOWEL, φ4	AM 54107	10		
01	CUT TO SUIT	002		KEY 12x20x1073LG.	AM 54083	05	2.00	
01	GES. NO. 404556688	001		STATOR FRAME FAB.	14027140387	00	3535.00	



INVENTORY NO. SIGN & DATE REF. DRG. NO.

REV.	DATE	ALTERED CHECKED	APPD.	REV.	DATE	ALTERED CHECKED	APPD.
03	6/03/06		Ranbajpai	02	6/03/03		Ranbajpai

ADDITIONAL INFORMATION W.O.45189A422-B1		TYPE OF PRODUCT OR 1RR1905-8	
STATUS OF DRAWING		NAME OF CUSTOMER/PROJECT M/S BINANI CEMENT	
DISTRIBUTION OF PRINTS AME-1 GTG(EM)-1 PLM-3 FBM-4		BHARAT HEAVY ELECTRICALS LTD. BHOPAL	
REV. DATE ALTERED CHECKED APPD. 01 10/9/07		DEPT. AME	UNTO. DIMS. GR.
ZONE TOLERANCE ADDED ON DIMS. 1201,600&485		CODE 404	SCALE NTS
		WEIGHT(K.G.) 3460.0	REF. TO ASSY.DRG.
		ITEM NO.	NO. OF ITEM
		DRAWING NO. 24027140134	
		REV. 03	
		SHT. NO.	NO. OF SH.

RPB SERVER/24027140134