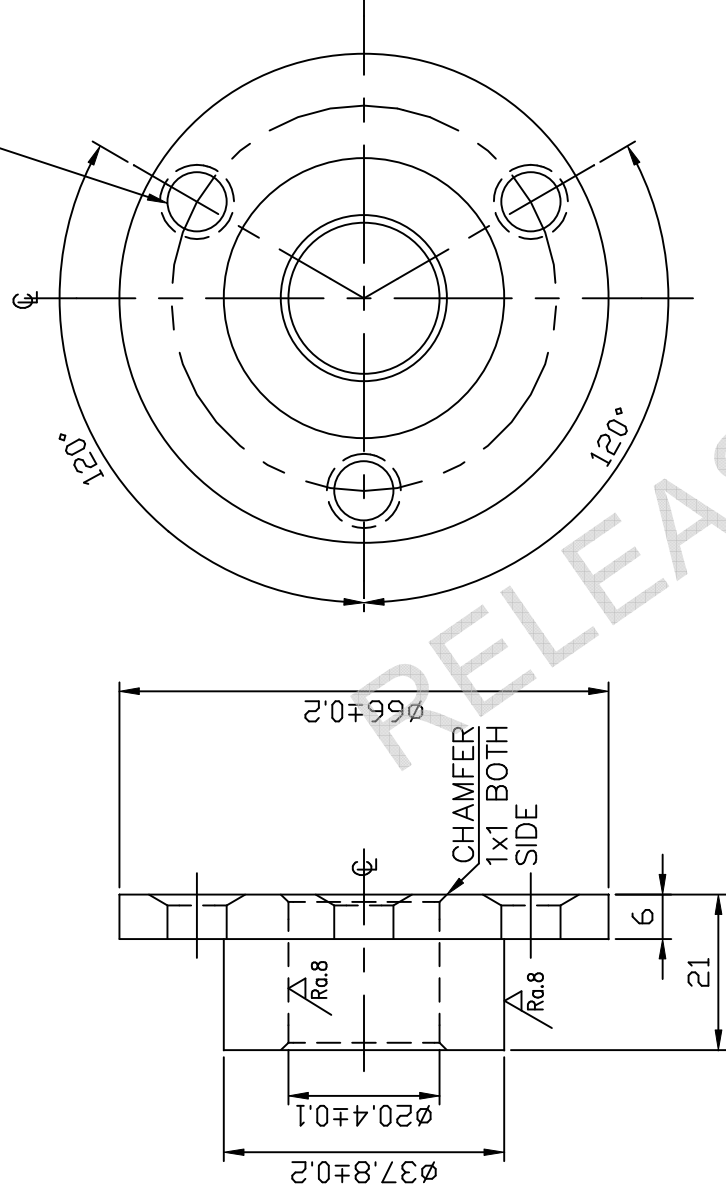


FIRST ANGLE PROJECTION

(ALL DIMENSIONS ARE IN mm)

REV.	DATE	ALTERED CHECKED APPROVED	REV. 03	DATE	ALTERED CHECKED APPROVED	ADDITIONAL INFORMATION
DRAWING REDRAWN.			STATUS OF DRAWING			B
(DCA)			DISTRIBUTION			O.C. -1 SWM -3 TCX -1

3 HOLES $\phi 8$ & C'SK AT
90° TO $\phi 13$ ON PCD 52 ± 0.2



FINISH :- NATURAL

THE INFORMATION ON THIS DOCUMENT IS THE PROPERTY OF BHARAT HEAVY ELECTRICALS LIMITED IT MUST NOT BE USED DIRECTLY OR INDIRECTLY IN ANY WAY DETRIMENTAL TO THE INTEREST OF THE COMPANY

C:\KANSARA\45217001512
REF. DRG. NO.

INVENTORY NO.

SIGN. & DATE

BP9069436787	001	NYLON	BP22962	0.060
REMARKS	ITEM NO	DESCRIPTION	MATL. CODE	UNIT WT.
			MATL. SPECN.	QTY.



भारत हेवी इलेक्ट्रिकल्स लिमिटेड
भोपाल
BHARAT HEAVY ELECTRICALS LTD.
BHOPAL

विभाग
DEPT SWE
कोड
CODE 409
अन. टोल. डाप की नैजी
UNITOL.DIMS. GR.
M
AA 0230208



भारत भार.
WEIGHT (K.G.)
—

अनुपात
SCALE
1:1

उत्प्रेक्षित
APPD MAS sd/- 27.2.86

उत्प्रेक्षित का संदर्भ
REF TO ASSY DRG
3 521 70 01530
0 521 30 30511
3 521 30 30517

सं. की संख्या
NO. OF
VAR.
—
सं. संख्या
NO. OF
ITEM
001

शीर्षक/TITLE

आरेख क्र./DRAWING NO.

TOP GUIDE BUSH

(12KV. PORCELAIN CLAD V.C.B.)

4 521 70 01512

पृष्ठ क्र./SHT. No.01

पृष्ठों की संख्या/NO. OF SHT. 01