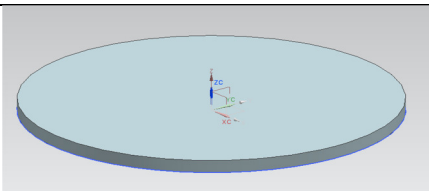
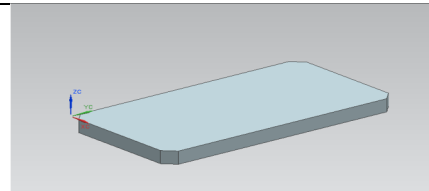


NAME OF COMPONENT – SIGHT GLASS AND WINDOW GLASS

COMPONENT	PART NO.	SIZE	FIG.
SIGHT GLASS	5570020	4 TK X 50 DIA. TOUGHENED GLASS	
WINDOW GLASS	5570018	5.5TK X 49 X 93 LG. TOUGHENED GLASS	

RAW MATERIAL PHYSICAL PROPERTIES

Visual

Shall be clear, transparent and free from scratches, blow holes etc.

Falling / Fragmentation Test

The glass disrupts into small granular regular fragment having smooth edges, tending to interlock and remain in the plane of the glass, when the toughened glass is allowed to fall from a height of 4 feet.

The number of particles seen without using any aid to vision except spectacles should not be less than 60 when measurement in the square of 50.0 mm **wide**.

Safe Working Temp.

285°C, Max.

Specific Gravity at 27°C

2.45 to 2.60

Heat Shock Test (250°C differential)

Shall pass the test.

A 50 mm X 50 mm gauge glass specimen shall be heated in a furnace for 5 minutes at 275°C and instantly plunged into cold water bath (25°C). There shall be no appreciable change in its physical properties eg. Cracking, chipping, loss of transparency etc.

Shore hardness (Degree)

120 Min.

Heat Test at 485°C (For use in boilers)

The gauge glass specimen shall be heated at 485°C for 5 minutes and instantly plunged into cold water both at 25°C.

The specimen may develop cracks but should retain its shape and form. The sample should not break into a number of pieces unless mechanical force is applied to do so.

