



PRODUCT STANDARD

SG12520 rev 00

SWITCHGEAR ENGINEERING DIVISION

PAGE 01 OF 02

(1) **Application:-** Micro Limit Switch for Motorized Isolator Assembly for GVM36 Switchgear

(2) **Scope:**

S.No	Description	Make & Model no	Rating/Size
1	Micro Limit Switch	OMRON - DZ-10GW22-1B or Equivalent as per below details	2NO-2NC (2 COMMON)

(2) **Technical parameters**

- (1) Current Ratings:- 10 A (250 VAC)
- (2) Contact Gap:- 0.5 mm (max)
- (3) Actuator:- Short hinge roller lever
- (4) Contact Form:- DPDT
- (5) Terminals:- Screw terminal suitable for M3
- (6) Contacts :- Material Silver Alloy
- (7) Inrush current: - NC 30 A max.
- (8) Inrush current: - NO 15 A max.

(3) **Characteristics:-**

Operating speed		0.1mm to 1 m/s
Operating frequency	Mechanical	240 operations/min
	Electrical	20 operations/min
Insulation resistance		100 MΩ min. (at 500 VDC)
Contact resistance		15 mΩ max. (initial value)
Dielectric strength		1,00 VAC, 50/60 Hz for 1 min between non-continuous terminals 1,500 VAC, 50/60 Hz for 1 min between current-carrying metal parts and non-current-carrying metal part, and between current-carrying metal part and ground and between switches.
Vibration resistance	Malfunction	10 to 55 Hz, 1.5-mm double amplitude
Shock resistance	Destruction	1,000 m/s ² max.
	Malfunction	300 m/s ² max.
Durability	Mechanical	1,000,000 operations min.
	Electrical	500,000 operation min.
Degree of protection against electric shock		Class I
Proof tracking index (PTI)		175
Ambient operating temperature		-20°C to 70°C (with no icing)

REV.			APPROVED – SKP		
ALTD.					
APPD.			PREP	ISSUED	DATE
DATE.			JAG		08.06.2016

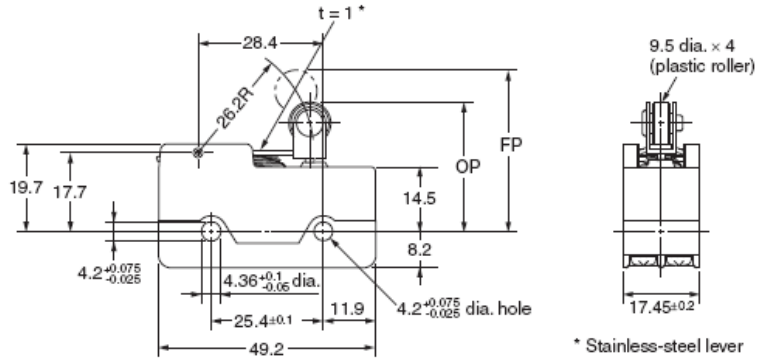
COPYRIGHT AND CONFIDENTIAL

The information on this document is the property of Bharat Heavy Electricals Limited. It must not be used directly or indirectly in any way detrimental to interest of Co.



(4) Dimensions and Operating Forces

**Short Hinge Roller Lever
 DZ-10GW22-1B**



<u>Description</u>	<u>Abbreviation</u>	<u>Magnitude</u>
Operating Force	OF max.	3.92 N
Release Force	RF min.	0.83 N
Overtravel	OT min.	0.9 mm
Movement Differential	MD max.	2.4 mm
Operating Position	OP	30.2 +/-0.8 mm
Final position	FP	39.7 mm

(5) Packing, Storage & Handling:

The component should be suitably packed to avoid transit damage & scratches during Handling.

(6) Identification

Suppliers shall provide following details for identification & Traceability of Item

Suppliers name, P.O. No. & Date, Production batch no.-

(7) Acceptance Criteria for Equivalent make:-

- a) Detail specification comparison sheet to be attached as per above specification.

COPYRIGHT AND CONFIDENTIAL

The information on this document is the property of Bharat Heavy Electricals Limited
 It must not be used directly or indirectly in any way detrimental to interest of Co.