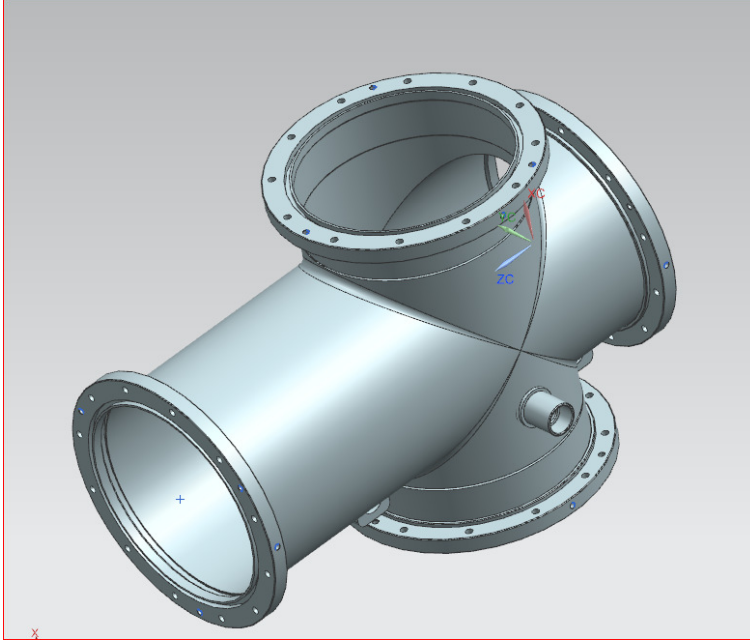


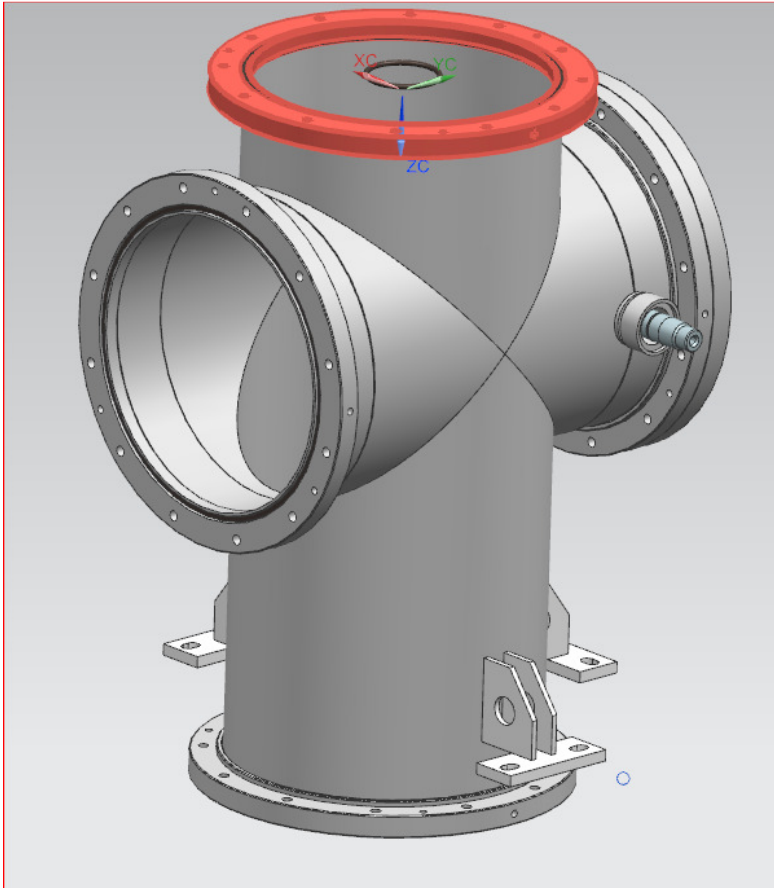
Annexure-1 to NSW02 SL 589

Specification shall be as per **SG12528**

1. Bus Enclosures



2. Switch Enclosure



Annexure-1 to NSW02 SL 589

3. Cable Termination

