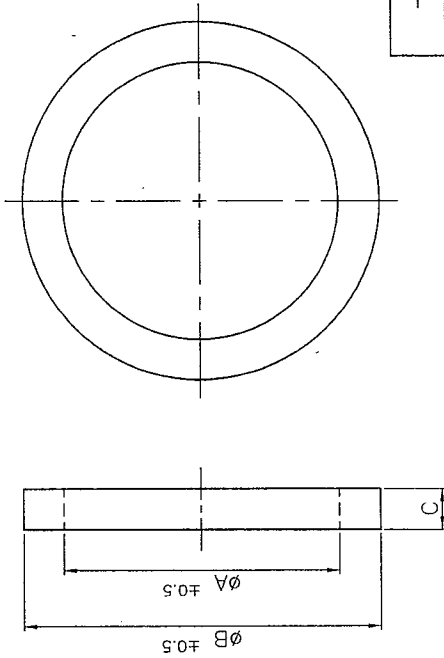


FIRST ANGLE PROJECTION

(ALL DIMENSIONS ARE IN mm)

DRG. NO. 10 70 899 & 01 025



DIMENSION

ITEM	ØA	ØB	C	REMARKS
001	10	19.05	3	FOR 1/8" B.S.P. PLUG
002	13.5	22.23	3	FOR 1/4" B.S.P. PLUG
003	21	31.74	3	FOR 1/2" B.S.P. PLUG
004	27	34.93	4	FOR 3/4" B.S.P. PLUG
005	27	34.93	4	FOR 3/4" B.S.P. PLUG
006	42	50.80	4	FOR 1 1/4" B.S.P. PLUG
007	34	41.28	4	FOR 1" B.S.P. PLUG
008	10.5	15.87	2	FOR M10 SCREW.

VAR.00	64 85	REMARKS	75 76 77 25 27 29	ITEM NO.	DESCRIPTION	56 59 60	65	DRAWING NO.	77	28 31 32 33 34 35 36 37 38 39 40 41 42 43 44 45 46 47 48 49 50 51 52 53 54 55	56 59 60	65	KG	0.045
-	ST 906839			008	Ø15.87 x 2 LG. NYLON ROD	2		-						100
-				007	Ø41.28 x 4 LG. NYLON ROD	2		-						100
-				006	Ø50.80 x 4 LG. NYLON ROD	2		-						100
-				005	Ø34.93 x 4 LG. NYLON ROD	2		-						100
-				004	Ø60.33 x 3 LG. NYLON ROD	2		-						100
-	ST 906580			003	Ø31.74 x 3 LG. NYLON ROD	2		-						100
-	ST 906579			002	Ø22.23 x 3 LG. NYLON ROD	2		-						100
-	ST 906578			001	Ø19.05 x 3 LG. NYLON ROD	2		-						100

28 - CARD TYPE-3 28 - CARD TYPE-1

ADDITIONAL INFORMATION

STATUS OF DRAWING

DISTRIBUTION OF PRINTS

BCE - 1 BCM - 4

QCX - 1 TRX - 1

REV. DATE 13.01.16

ALTERED CHECKED APPD.

PRADEEP B.R. MOH...

APPD. S.C. SOT...

DRG. COMPUTERIZED.

TYPE OF PRODUCT OR NAME OF CUSTOMER/PROJECT

CONDENSER BUSHING



BHARAT HEAVY ELECTRICALS LTD. BHOPAL

UNTOOL. DIMS. GR.

SCALE 1:1

WEIGHT(K.G.)

REF. TO ASSY.DRG. GENERAL

NO. OF ITEM 008

NO. OF REV. 03

TITLE

NYLON WASHER

DRAWING NO. 3 538 04 01 025

SHT. NO. 01

NO. OF SHT. 01

A3 SIZE

INVENTORY NO. REF. DRG. NO. SIGN. & DATE

THE INFORMATION ON THIS DOCUMENT IS THE PROPERTY OF BHARAT HEAVY ELECTRICALS LIMITED. IT MUST NOT BE USED DIRECTLY OR INDIRECTLY IN ANY WAY DETRIMENTAL TO THE INTEREST OF THE COMPANY.