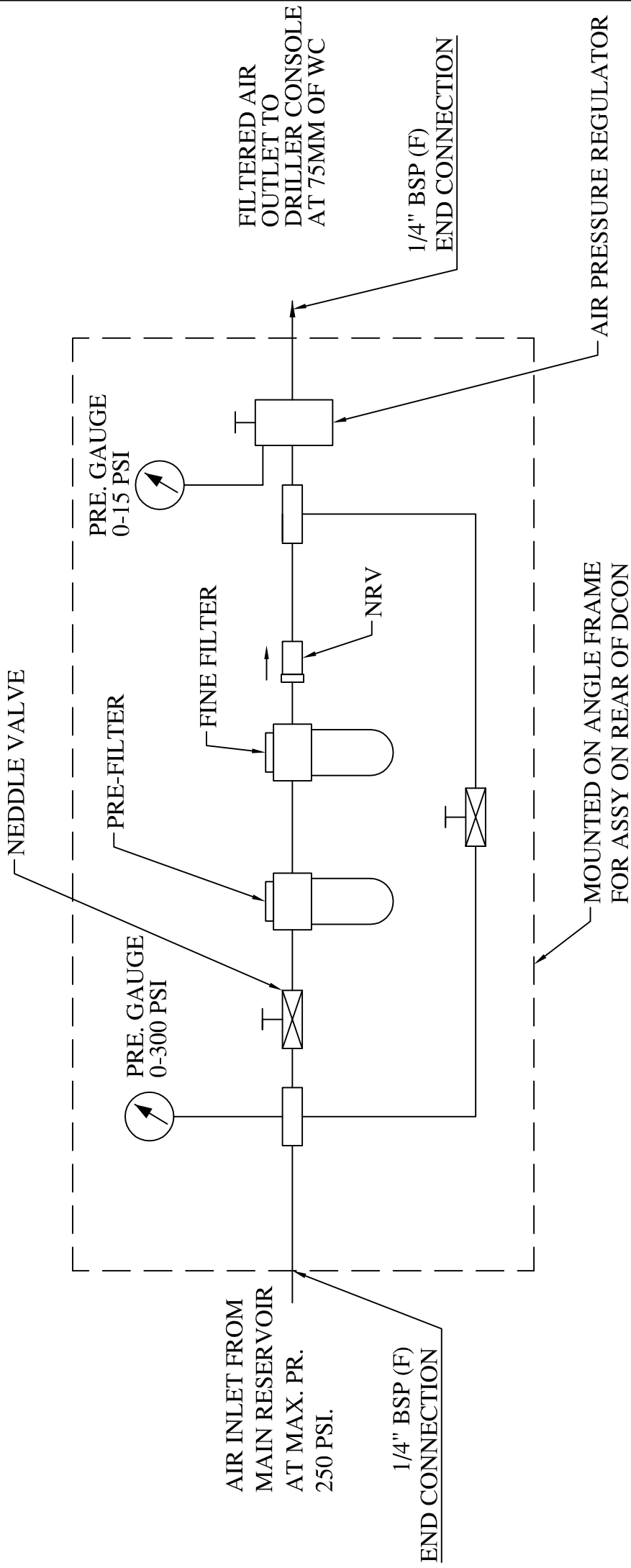


SPEC. NO OR12253 R02
ANNEXURE - I



BLOCK DIAGRAM FOR AIR FILTER REGULATOR SYSTEM FOR PRESSURIZATION OF DRILLER'S CONSOLE FOR DRILLING OIL RIG APPLICATION.