

# ANNEXURE-1

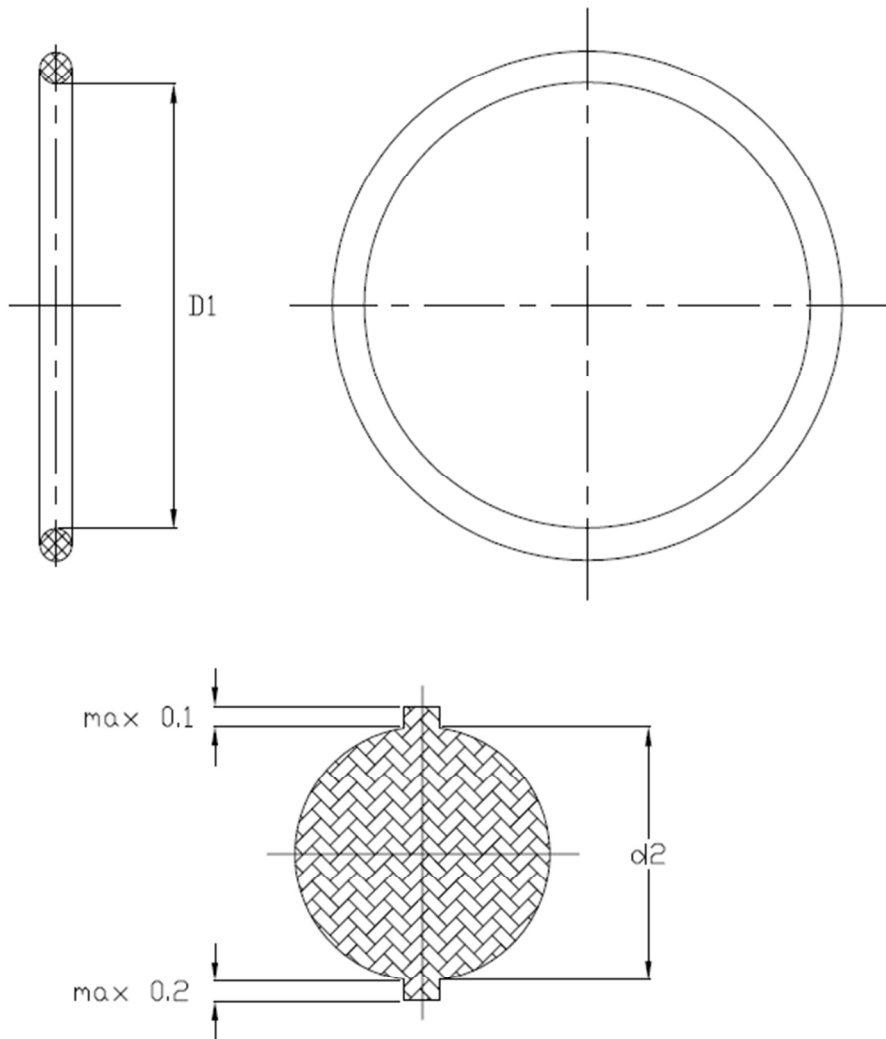
## SPECIFICATION FOR O-RING REQUIRED FOR 420kV GIS

### O-Ring

Designation: O-Ring

Ordering Description: O-Ring, SG 90032 XXX

Material: EPDM 70



## ANNEXURE-1

### SPECIFICATION FOR O-RING REQUIRED FOR 420kV GIS

<b>Sl.No.</b>	<b>DESCRIPTION</b>	<b>QTY in nos.</b>
1	ID 35 MM x 5MM Thk	200
2	ID 42 MM x 4MM Thk	100
3	ID 50 MM x 8MM Thk	100
4	ID 70 MM x 5MM Thk	100
5	ID 70 MM x 6MM Thk	100
6	ID 80 MM x 10MM Thk	100
7	ID 106MM x 6MM Thk	500
8	ID 150MM x 7MM Thk	100
9	ID 160MM x 10MM Thk	100
10	ID 200MM x 10MM Thk	100
11	ID 265MM x 7.5MM Thk	300
12	ID 270MM x 10MM Thk	100
13	ID 275MM x 5MM Thk	100
14	ID 285MM x 5MM Thk	100
15	ID 324MM x 10MM Thk	100
16	ID 455MM x 10MM Thk	100
17	ID 512MM x 10MM Thk	100
18	ID 570MM x 10MM Thk	500
19	ID 690MM x 10MM Thk	100