

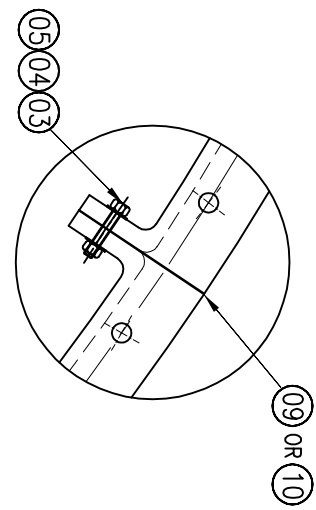
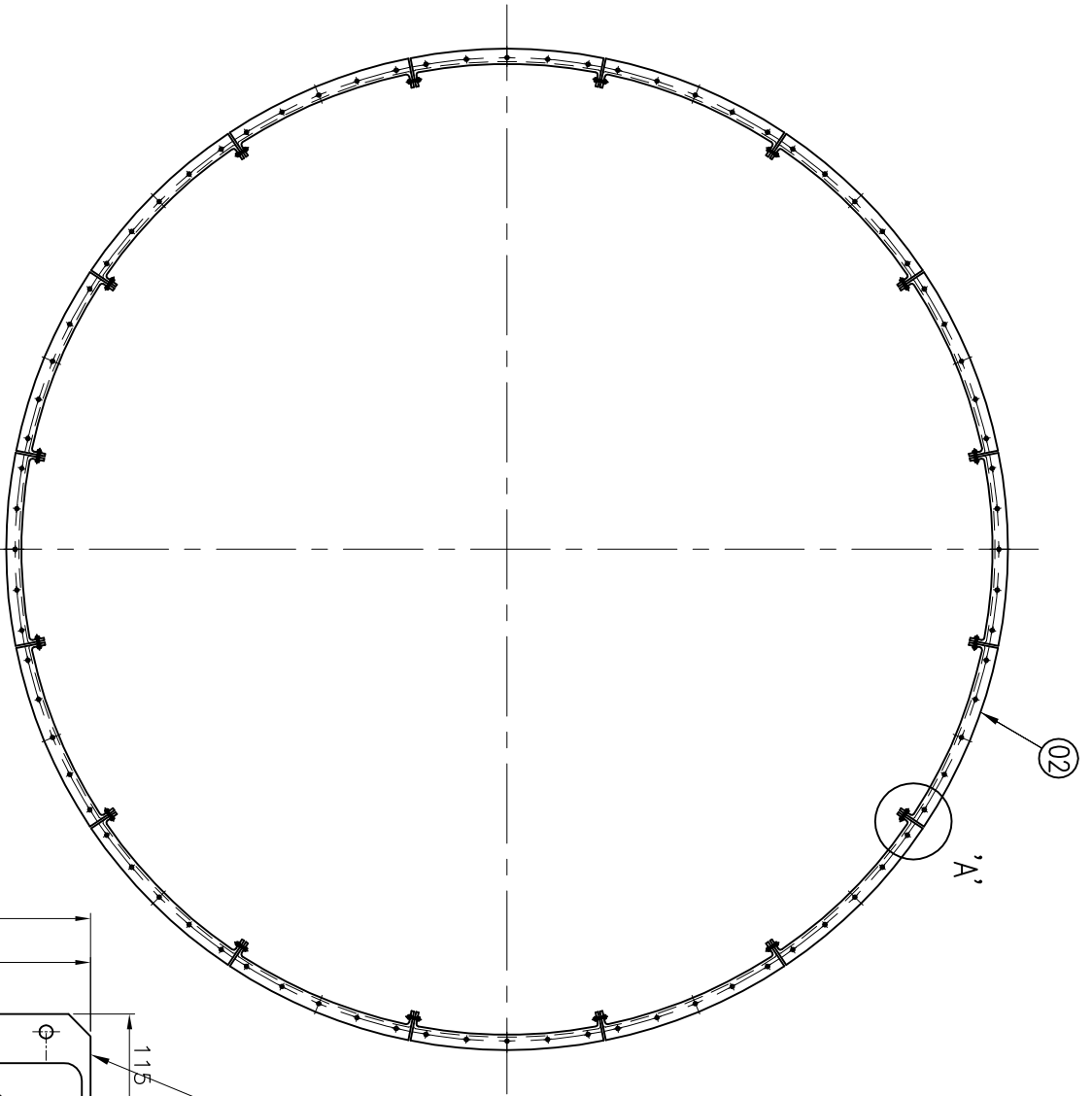
INVENTORY NO. SIGN AND DATE REF. DRG. NO.

IT MUST NOT BE USED DIRECTLY OR INDIRECTLY IN ANY WAY DETRIMENTAL TO THE INTEREST OF THE COMPANY.

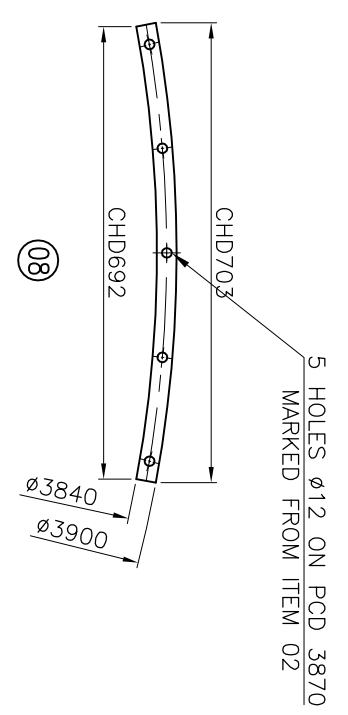
FIRST ANGLE PROJECTION

PRODUCED BY AN AUTODESK EDUCATIONAL PRODUCT

ALL DIMENSIONS ARE IN mm

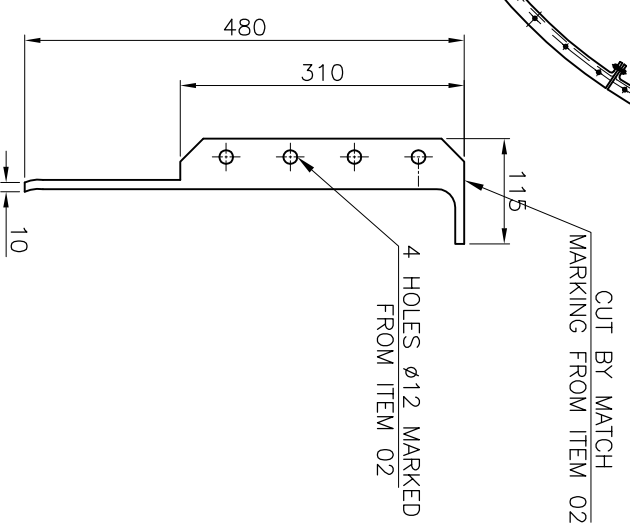


DETAIL 'A'



**TECHNICAL REQUIREMENTS:-**

1. THE MOULDING MUST BE SUPPLIED IN NATURAL COLOUR WITH NO PAINTING ON INSIDE AND OUTSIDE.
2. TRIAL ASSY. IS TO BE DONE AT SUPPLIER WORKS TO ENSURE FORMATION OF RING.
3. THE DIMENSIONAL TOLERANCE FOR MOULDING & ASSEMBLY IS  $\pm 1\text{MM}$ .
4. SEGMENT NO. ARE TO BE MARKED ON ALL SEGMENTS & CORRESPONDING LOCKING PLATE.



VAR DD	REMARKS	VAR. NO.	ITEM NO.	DESCRIPTION	QTY	DRAWING NO.	IT. NO.	MATL. CODE	MATL. SPECN.	UNIT	WT.	QTY.
016	SOS.		010	NITRILE RUBBER GASKET	0.06KG.			AA59804				
016			009	NITRILE RUBBER GASKET 2TK.	0.04KG.			AA59804				
016			008	LOCKING PLATE 4TK.	0.67KG.			AA10108				
085			007	SPRING WASHER M8	0.0008 KG			AA7164001049				
085			006	BOLT M8x30	0.016 KG.			AA7121123134				
072			005	SPRING WASHER M10	0.001 KG.			AA7121123				
072			004	NUT M10	0.011 KG.			AA715115023				
072			003	BOLT M10x40	0.03 KG.			AA7121123231				
016			002	UPPER AIR BAFFLE SEGMENT	6.67 KG.	2 25606 20015	001	AA22421				

**ADDITIONAL INFORMATION**

W.O. NO. -  
STATUS OF DRAWING 'U'  
DISTRIBUTION OF PRINTS  
HGE-3  
PLM-4  
TEX-3

**BAHARAT HEAVY ELECTRICALS LTD.**  
 BHOPAL  
 HAKSIKY  
 HAKSIKY  
 BHARAT HEAVY ELECTRICALS LTD.  
 BHOPAL

mRikn dk i-dkj :k  
 xk-gg@fj:ksruk dk uke  
 TYPE OF PRODUCT OR  
 NAME OF CUSTOMER/PROJECT  
 HAKSIKY  
 BHARAT HEAVY ELECTRICALS LTD.  
 BHOPAL

DEPT. DIMS. GR.  
 CDD: 403 3-250-00-1-01404  
 SCALE 1:4  
 WEIGHT 123  
 HAQ fd jh -s. M&hbzox dk ionHAZ ITEM NO. 010  
 M&hbzox DRAWING NO.  
 REV. 00

REV. DATE	ALTERED	CHECKED	APPROVED

REV. DATE	ALTERED	CHECKED	APPROVED

REV. DATE	ALTERED	CHECKED	APPROVED

REV. DATE	ALTERED	CHECKED	APPROVED

PRODUCED BY AN AUTODESK EDUCATIONAL PRODUCT