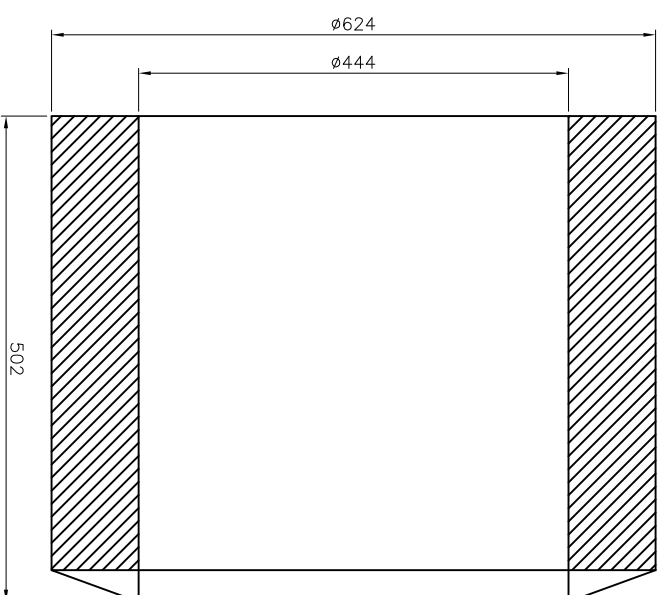
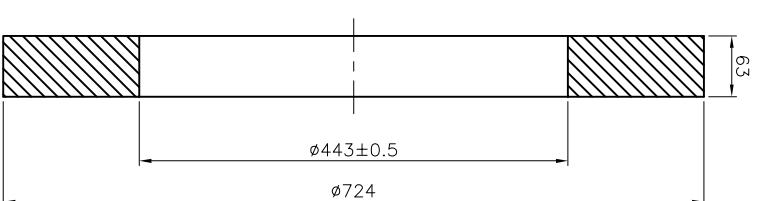


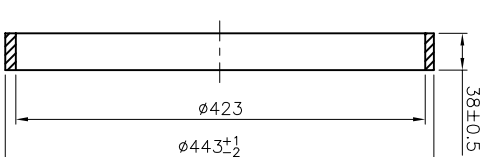
FLANGE (CAST)
ITEM-001



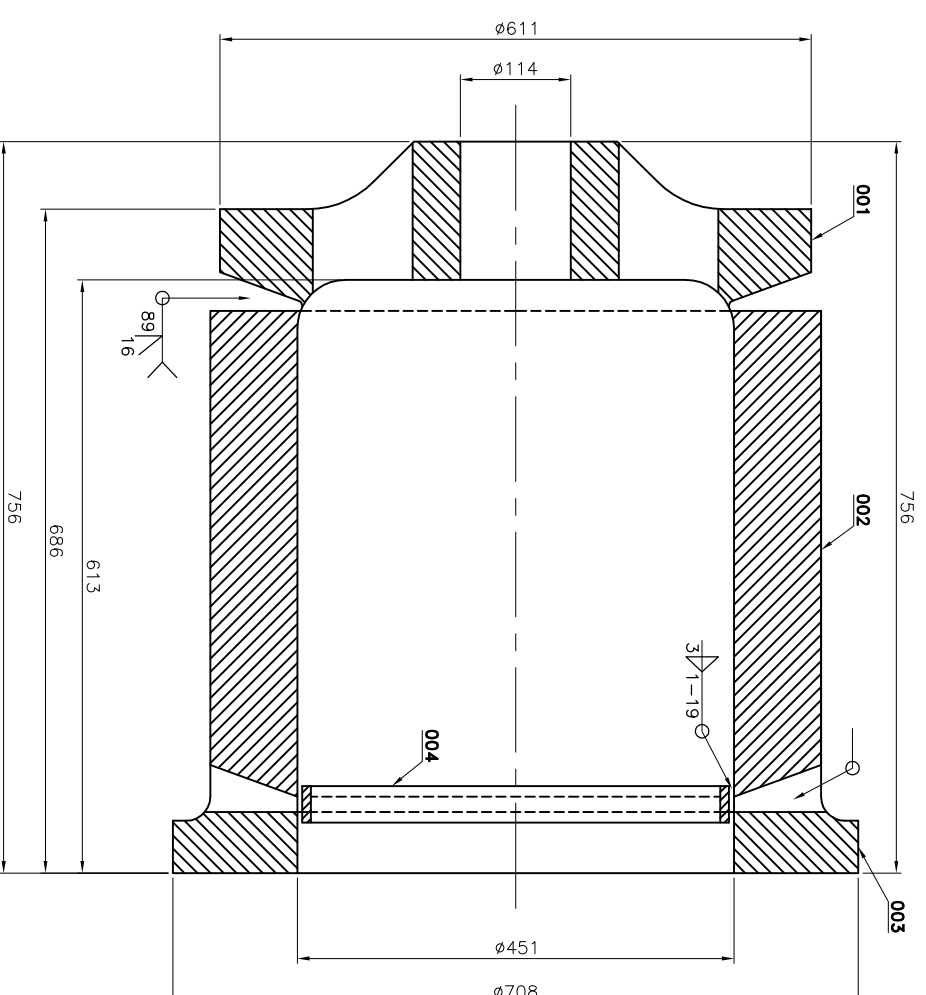
RING (ROLLED)
ITEM-002



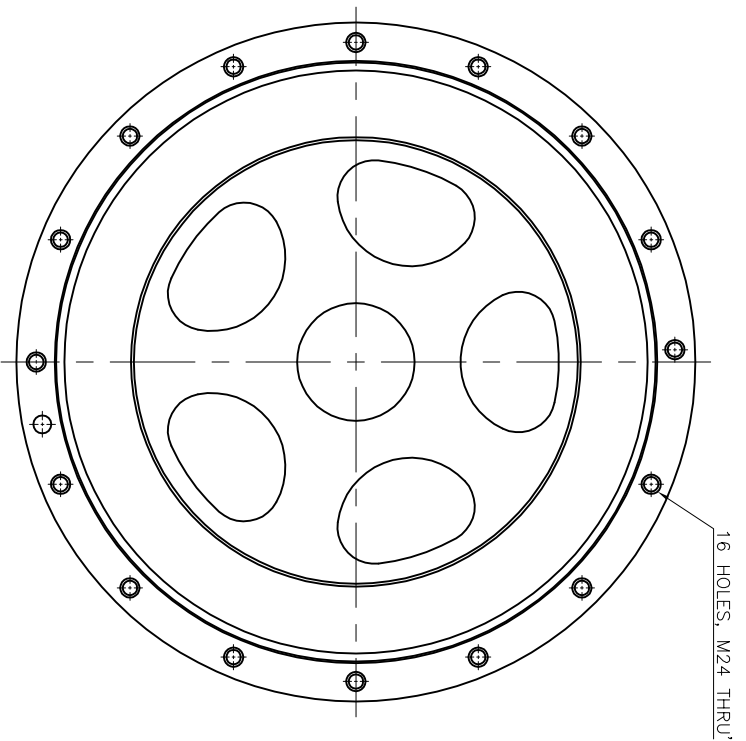
RING
ITEM-003



RING
ITEM-004

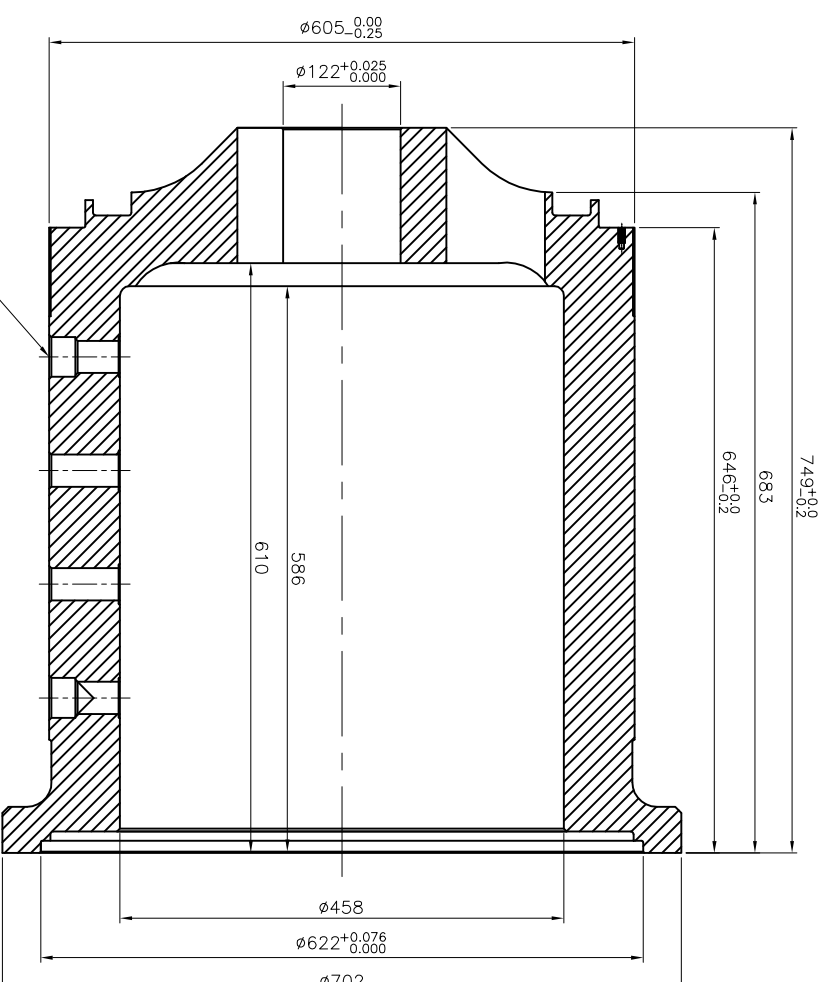


SPIDER (WELDED)



16 HOLES, M24 THRU'

$\phi 32$ DRILL THRU 4-HOLES IN EACH
PATTERN TOTAL 10 PATTERNS



SPIDER (MACHINED)

DESCRIPTION:- SPIDER OF TA9901AZ
SKETCH. NO.:- TME/SKETCH/1085
DATE:- 18.06.2015