

The information on this document is the property of BHARAT HEAVY ELECTRICALS LIMITED. It must not be used directly or indirectly in any way detrimental to the interest of the company.

Comp. drg.

TR 20030 N
PAGE 1 OF 1

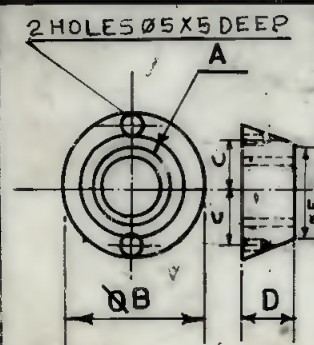
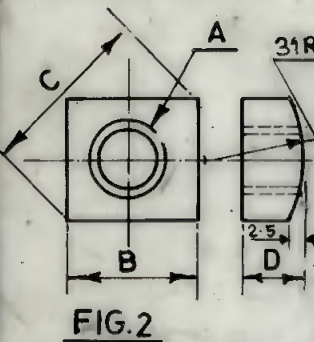
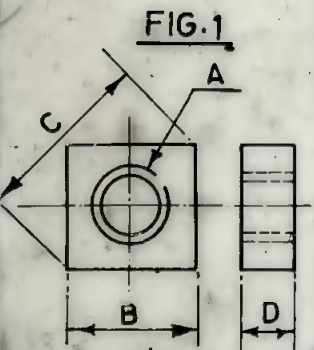
REV. 11
4/12
5/4

SHEET REAFFIRMED
STYLE NO FOR ITEM-010 MS
3/2/83

TRE/TRM/FTM
TRX
Q.C. TCB
Q.A. TCB
Q.C. FTM
SHANGI

APPROVED SD/ AMVY
SD/ SRR,
SD/ MGS

DATE 11-5-83



TYPE	IT No.	MATERIAL	STYLE NO.	A	E	PITCH MM.	B	C	D	REMARKS.	TIGHTENING SOCKET TOOL NO
FULL NUT.	01										
	02	AA22006	ST 604124	M10		1.5	18	25.5	11	RIDL WOOD	1464260
	03	AA 22006	ST 604125	M12		1.75	23	32.5	16	RIDL WOOD	1464261
	04	AA 22006	ST 604126	M16		2	28	39.6	20	RIDL WOOD	1464262
	05	AA22006	ST604127	M20		2.5	33	46.7	24	RIDL WOOD	1464263
	06	AA 22006	ST 604128	M24		3	42	59.4	27	RIDL WOOD	
	07	BP 22485	ST 604773	M10		1.5	18	25.5	11	PULTRUDED FIBRE GLASS REINFORCED & EPOXY BONDED	1464260
	08	BP 22485	ST604772	M12		1.75	23	32.5	16	SEE NOTE-2	1464261
	09	BP22485	ST 604459	M16		2.00	28	39.6	20	SEE NOTE-2	1464262
SPECIAL NUT	10	AA22006	ST 604203	M12		1.75	24	33.9	16	B6401764	
	11										
	12										
	13										
	14										
	15										
	16										
	17										
	18										
	19										
CONICAL NUT	20	AA22006	ST604202	M12	18	1.75	32	10	12	B6401832	
	21	AA22006	ST604114	M16	21.5	2	40	14	16	B6279298	
	22										
	23										
	24										
	25										

NOTES:— 1 NUTS OF AA22006 IS RESIN IMPREGNATED DENSIFIED LAMINATED WOOD TYPE VI AND SHALL BE FINISHED WITH TRANSFORMER OIL TO IS 335.
2. ALTERNATELY NUTS ITS 07 08 09 CAN BE MADE FROM EPOXY GLASS MAT. LAM. SHEET TO AA22414 INSTEAD OF PULTRUTION PROCESS, HOWEVER SUCH NUTS SHOULD ALSO MEET PROPERTIES OF BP 22485.

IMP NOTE : 1 THIS DRG. REPLACES DRG C600616(N-16-3).
2 DRAWING IS REAFFIRMED ON 8-12-93
3 PRIOR TO REAFFIRMATION, THE ORIGINAL ISSUE DATE WAS 11-05-83 & LATEST REVISION WAS REV 8 DT 9-3-93.

शीट का TITILE
RIDL WOOD & EPOXY GLASS FIBER NUTS (METRIC)



भारत भारत PRODUCT STANDARD TR 20030 N
TRANSFORMER
श्री/आ. आ. शॉप/एन्गिनीयरी
SHOP/ENGINISTRATION

1 फॉलॉ 1, PAGE 1 OF 1