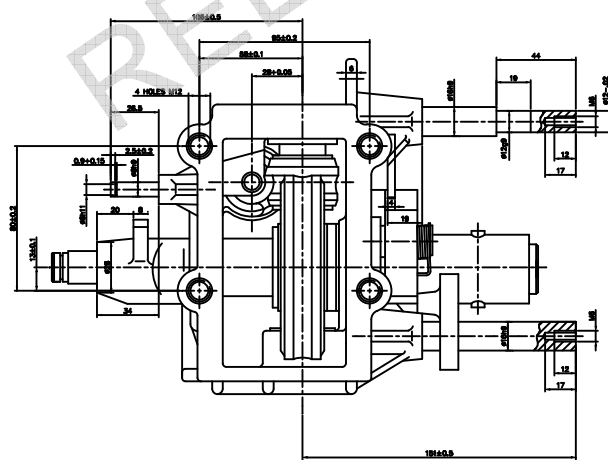
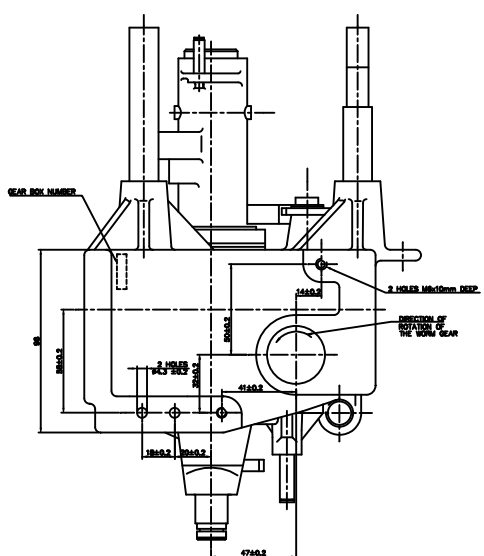
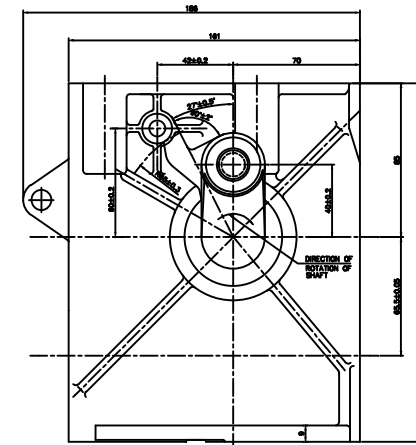
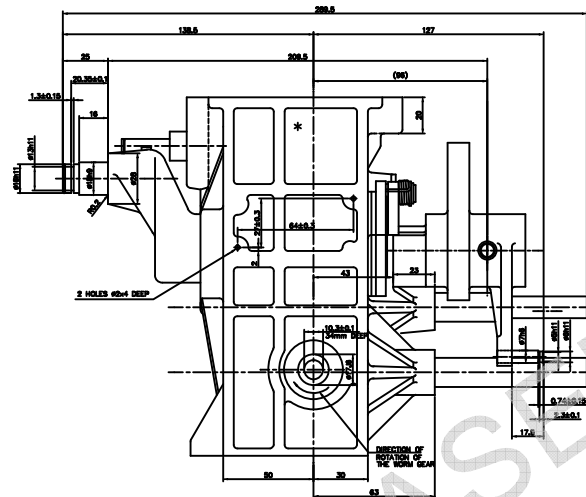
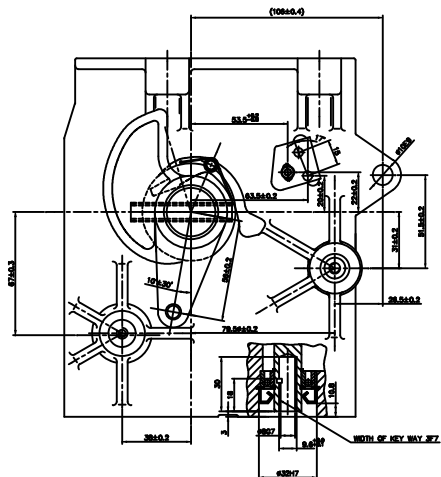


20510 01 125 0 0 1st 1988



VIEW-X

SPECIAL NOTES FOR GEAR BOX

1. EACH GEAR BOX MUST BE TESTED AT SUPPLIERS WORKS FOR 80 OPERATIONS WITH SPRING TO DRUMS, 250 CYCLES AND ELECTRICAL MOTOR MOUNTED ON OPERATING PLATFORM.
2. THE FOLLOWING SHOULD BE RECORDED FOR THE LAST FIVE OPERATIONS:
(1) SPRING CHARGING TIME
(2) MOTOR CURRENT
3. THE GEAR BOX MUST BE FREE FROM ABNORMAL SOUND OR EXCESSIVE FRICTION DURING THE SPECIFIED OPERATIONS.
4. EACH GEAR BOX DURING BULK SUPPLY MUST BE ACCOMPANIED WITH A TEST CERTIFICATE FOR TESTS AND OBSERVATIONS AS SPECIFIED UNDER (1) (2) & (3) ABOVE.
5. SERIAL NO. & MANUFACTURE NAME MUST BE ENGRAVED ON GEAR BOX CASTING.
6. EACH GEAR BOX MUST BE PLACED IN SEPARATE CARD BOARD CARTONS BEFORE PLACING THE LOT IN WOODEN CRATES FOR BULK SUPPLY.
7. EACH COMPONENT OF BULK SUPPLY MUST BE ACCOMPANIED WITH:-
(a) MATERIAL MECHANICAL PROPERTIES AND MATERIAL CONDITION TEST REPORTS FOR THE FOLLOWING ITEMS (i) CAN (ii) FORGED SHAFT (iii) ALUMINUM CASTING (iv) WORM GEAR (v) WORM (vi) PINION.
(b) MATERIAL AND SHORE HARDNESS TEST REPORTS FOR RUBBER SEALS AND GASKETS.
8. HAND CHARGING DIRECTIONS (NEAR HAND CHARGING PRODUCT) LA. CLOSURE TO BE MARKED FOR EXCLUSIVE HAND CHARGING GEAR BOX ONLY.
9. "HAND CHARGING GEAR BOX" SHALL BE PAINT MARKED OR ADHESIVE LABEL SHALL BE PASTED AT LOCATION MARKED *, (FOR EXCLUSIVE HAND CHARGING GEAR BOX ONLY.)

NOTES:-

1. THIS GEAR BOX Assy. IS EQUIVALENT OF DRG. 1 HQ 4860700 "DATELINE" OF M/S SIEMENS WEST GERMANY. FOR ITEM 002 SIEMENS "DATELINE 1 HQ 4860700-002"
2. FOR SECTIONAL ASSEMBY, REF. DRG. 0 521 10 01802.
3. FOR TEST REQUIREMENT & ACCEPTANCE CRITERION REFER PRODUCT STANDARD 80 12708.

FOR B.O.M. REFER DRG. 3 521 10 01802.

SP9009100475	003	GEAR BOX (HAND CHARGING)	3 521 10 01802	01					
SP9009433310	002	GEAR BOX	3 521 10 01802	00					
SP9408010	001	GEAR BOX							
VARIES	REVISIONS	DATE	DESCRIPTION	BY	DRAWING NO.	DATE	MATERIAL CODE	UNIT WEIGHT	REMARKS

ADDITIONAL INFORMATION

STATUS OF DRAWING: NEW REVISED CANCELLED OBSOLETE

DISTRIBUTION OF PRINTS:

DATE: 01/12/88

BY: [Signature]

FOR: [Signature]

GEAR BOX

0 521 10 01502

ITEM NO.	QTY.	DESCRIPTION	UNIT	REVISION	DATE	BY	FOR	APPROVED	REMARKS
01	1	GEAR BOX	EA	01	01/12/88	[Signature]	[Signature]	[Signature]	
02	1	GEAR BOX	EA	02	01/12/88	[Signature]	[Signature]	[Signature]	
03	1	GEAR BOX	EA	03	01/12/88	[Signature]	[Signature]	[Signature]	

RELEASED