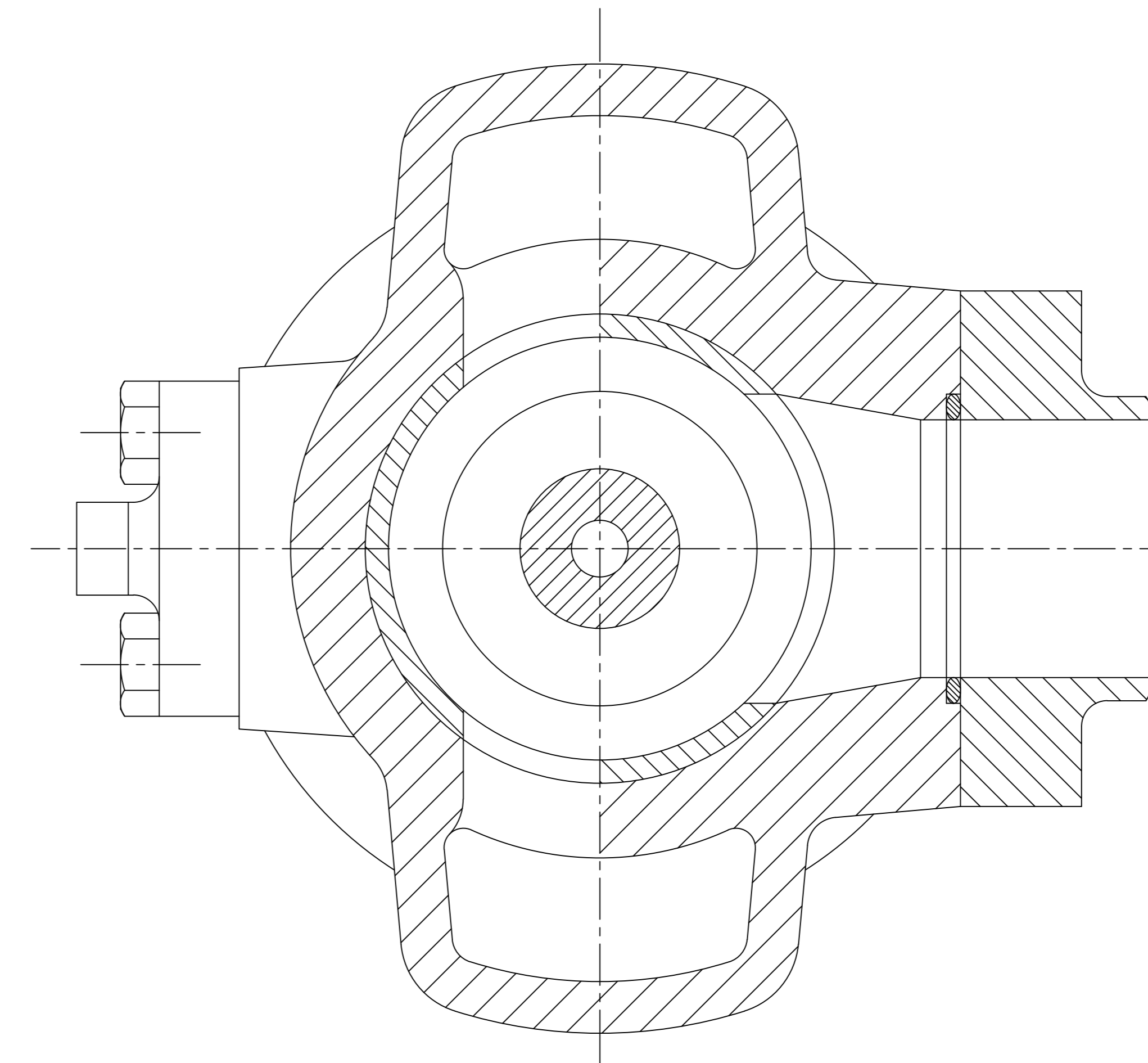
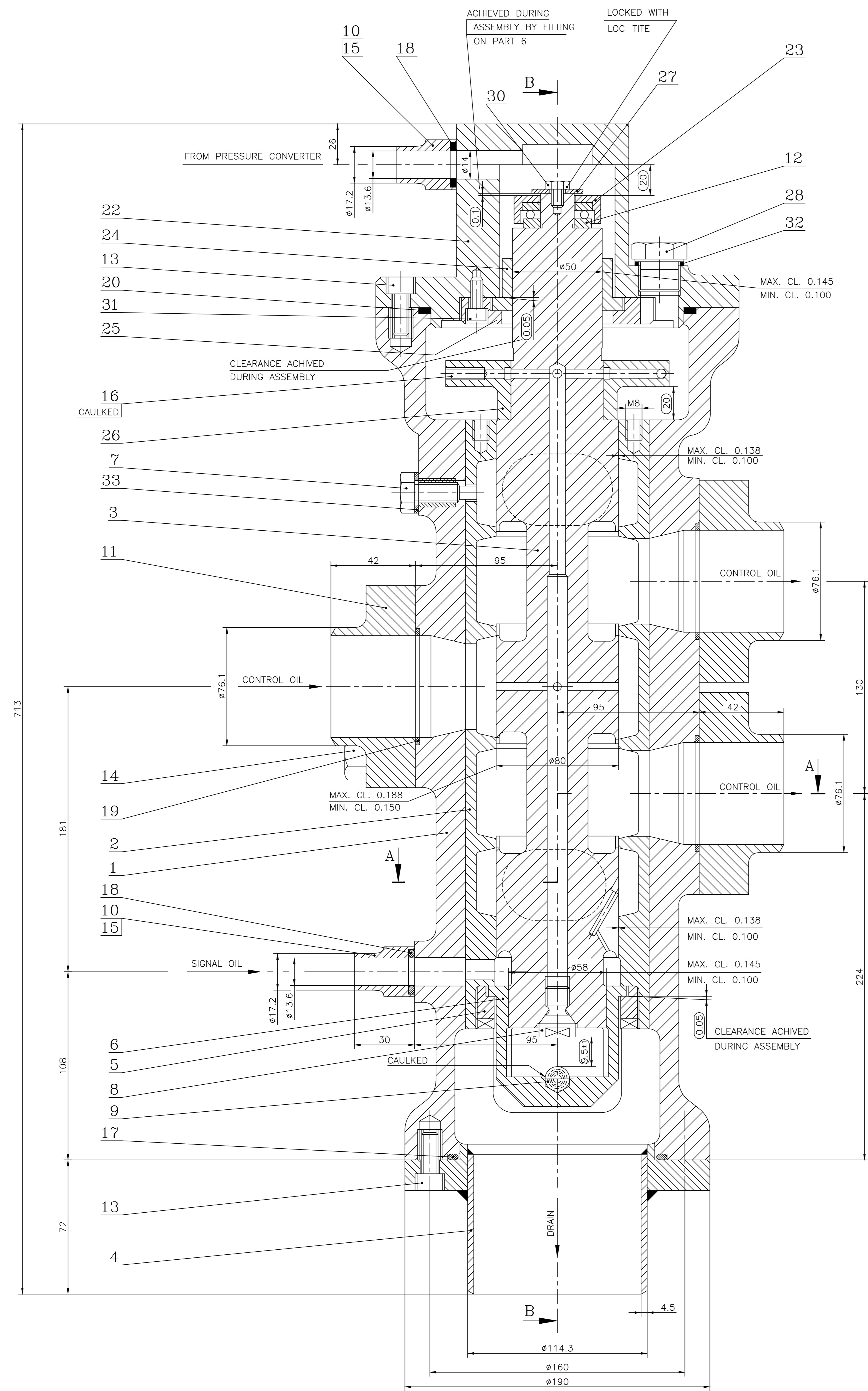
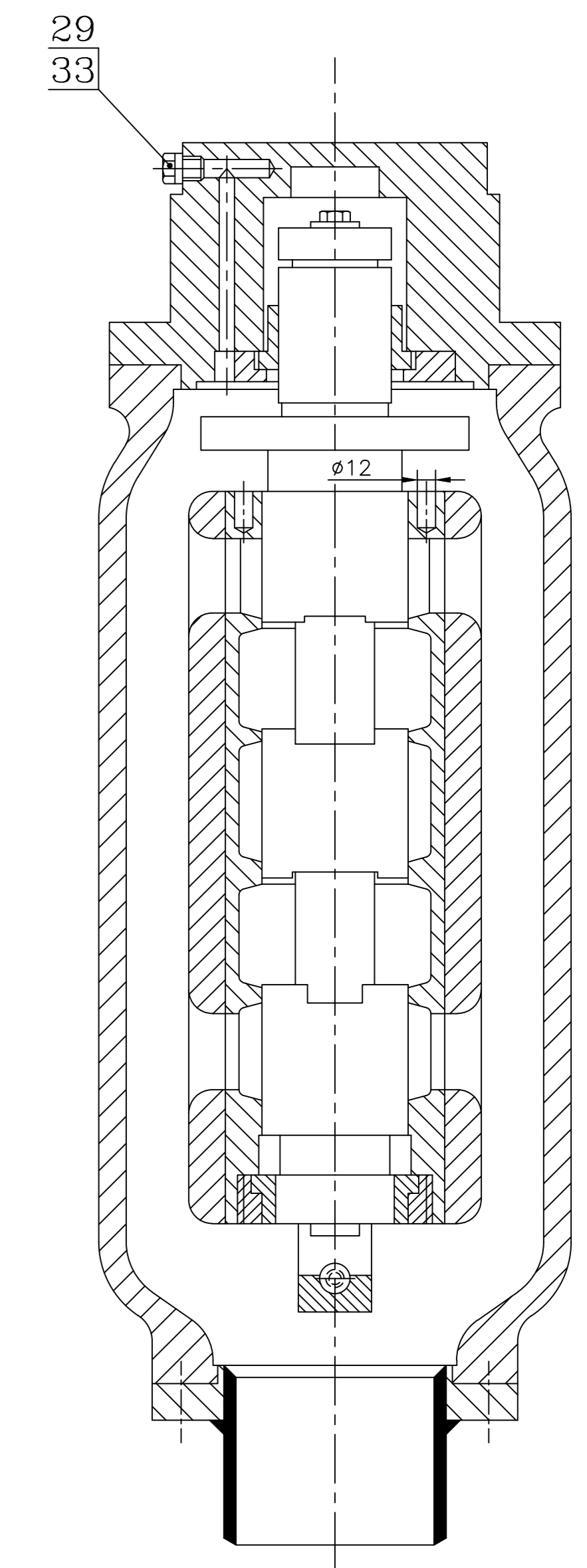


00010-20321-0



SECTION A-A



SECTION B-B

TECHNICAL REQUIREMENTS:-

- 1. DIMENSIONS GIVEN IN  $\square$  ARE TO BE CONTROLLED DURING ASSEMBLY.
- 2. SCREW ITEM 30, TO BE FITTED AFTER APPLYING LOC-TITE.

THIS DRAWING SUPERSEDES THE OLD DRAWING UNDER SAME ID. WITHDRAWN THE B.O.M. FROM THE DRAWING AND REPOSTED ON SERVER

QMS No / C.B.O.M 01230201000	STATUS OF DRG DATE	TYPE OF PRODUCT OR NAME OF CUSTOMER/PROJECT	STEAM TURBINE
DESIGNER STT VAISH.	DATE 25.6.80	NAME OF CUSTOMER/PROJECT	
GRADE OF UNTOL. DIM M/CG- AA0230208 m	WELDING-CLASS 'B' OF AA0621104	Bharat Heavy Electricals Ltd RANIPUR, HARDWAR	
GAS CUTTING-TABLE 3 OF AA0621101	REV DATE ALTERED 04 9.9.02	DEPT STE CODE 4011	SCALE N.T.S.
This Dwg. superseded the old Dwg. under same no. withdrawing BOM from Dwg. and deposited on SERVER C/Adv. no. STE-02-11209 Dated:- 28-08-2002		WEIGHT (KG) 69.50	REF. TO ASSY. DRG. -
TITLE : PILOT VALVE FOR LPB STOP VALVE		CARD CODE 7	DRAWING NO. 0-12302-01000
SHEET No. 01 No. OF SHEETS 01		No. OF VARS 22/23/24	

COPYRIGHT AND CONFIDENTIAL INFORMATION ON THIS DOCUMENT IS THE PROPERTY OF BHARAT HEAVY ELECTRICALS LIMITED. IT MUST NOT BE USED DIRECTLY OR INDIRECTLY IN ANY MANNER TO THE INTEREST OF THE COMPANY.

7040-07047  
 SHEET No. 01 No. OF SHEETS 01