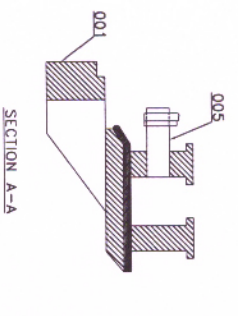
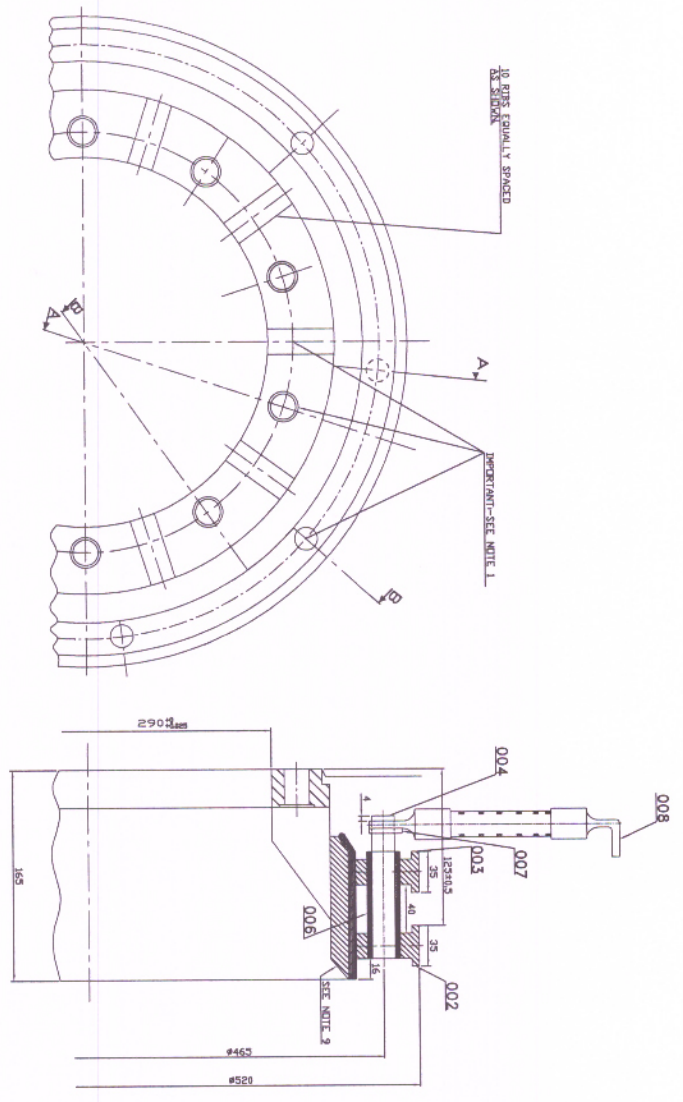


THE INFORMATION ON THIS DOCUMENT IS THE PROPERTY OF BEARAT HEAVY ELECTRICALS LIMITED. IT MUST NOT BE USED DIRECTLY OR INDIRECTLY IN ANY WAY DETRIMENTAL TO THE INTEREST OF THE COMPANY.



NOTES:-

- CARE TO BE TAKEN AT THE TIME OF ASSEMBLY OF SLIP RINGS ON SUPPORT THAT THE POSITION OF SLIP RING HOLES W.R.T. SLIP RING SUPPORT HOLE IS MAINTAINED.
- SHRINK FIT SLIP RINGS ITEM 002 & 003 ON SLIP RING SUPPORT ITEM 001 BY HEATING IMMEDIATELY AFTER SHRINKING APPLY AIR TO RING TO AVOID BURNING OF INSULATION.
- STUDS IT.004 & 005 TO BE THOROUGHLY BRAZED WITH SLIP RINGS IT.002 & 003 RESPECTIVELY.
- APPLY RED GEL COAT ON THE MATING SURFACE OF IT.004 & 006.
- APPLY TWO COATS OF RED GEL COAT OVER THE SIDE FACES OF SLIP RINGS AND ALSO OVER SLIP RING SUPPORT INSULATION.
- FLASH TEST IT.002 & 003 W.R.T. IT.002 W.R.T. IT.003 AT SIX FOR 5 SEC. TO BE MEASURED BEFORE & AFTER FLASH TEST. THE VALUE SHOULD BE MORE THAN 200 MΩ.
- IT.007, 008 TO BE BRAZED WITH SLIP RING STUDS IT.004 & 005. WITH THE HELP OF SUPPLIER'S RADIALLY CUT POSITION.
- NOTCH THAT IT.007 & 008 AND ITS BRAZING IS NOT DAMAGED.
- SUPPLIER'S IDENTIFICATION MARK & P.O.NO./DATE TO BE PUNCHED AT THE FACE MARKED AS SHOWN IN ZONE F/5.
- JOINT RESISTANCE SHALL BE MEASURED BETWEEN FREE END OF IT.008 AND OUTER DIA SURFACE OF ITEM 002 AND ALSO BETWEEN FREE END OF ITEM 008 AND OUTER DIA SURFACE OF ITEM 003. THE MAXIMUM ALLOWABLE JOINT RESISTANCE IN EACH CASE SHOULD BE 10 MILLI OHMS.

VAR ID	REMARKS	VAR ITEM NO.	DESCRIPTION	DRAWING NO.	UNIT W/T
002	SEE NOTE 7	008	SLIP RING CONNECTOR CABLE	001	2XK 0.25
002	SEE NOTE 7	007	COPPER SOLDER PACKING	001	2XK 0.017
001	SEE NOTE 3	000	INSULATION SLEEVE	001	2XK 0.038
001	SEE NOTE 3	005	SLIP RING STUD (SHORT)	001	2XK 0.15
001	SEE NOTE 3	004	SLIP RING STUD (LONG)	002	2XK 0.27
001		003	SS SLIP RING	00	2XK 13.2
001		002	SS SLIP RING	01	2XK 13.2
001		001	INSULATED SLIP RING	00	2XK 41.1

ADDITIONAL INFORMATION: STATUS OF DRAWING: **APPROVED**

TYPE OF PRODUCT OR NAME OF SUB-ASSEMBLY/PRODUCT: **TRACTION ALTERNATOR**

BEARAT HEAVY ELECTRICALS LTD.
BHOPAL

TITLE: **SLIP RING ASSY. (STAINLESS STEEL)**

DRAWING NO. **14462399001**

REV.	DATE	BY	CHKD.	APP'D.
1	01/11/20	AMAZH/0202B	MS	MS
2	01/11/20	AMAZH/0202B	MS	MS
3	01/11/20	AMAZH/0202B	MS	MS