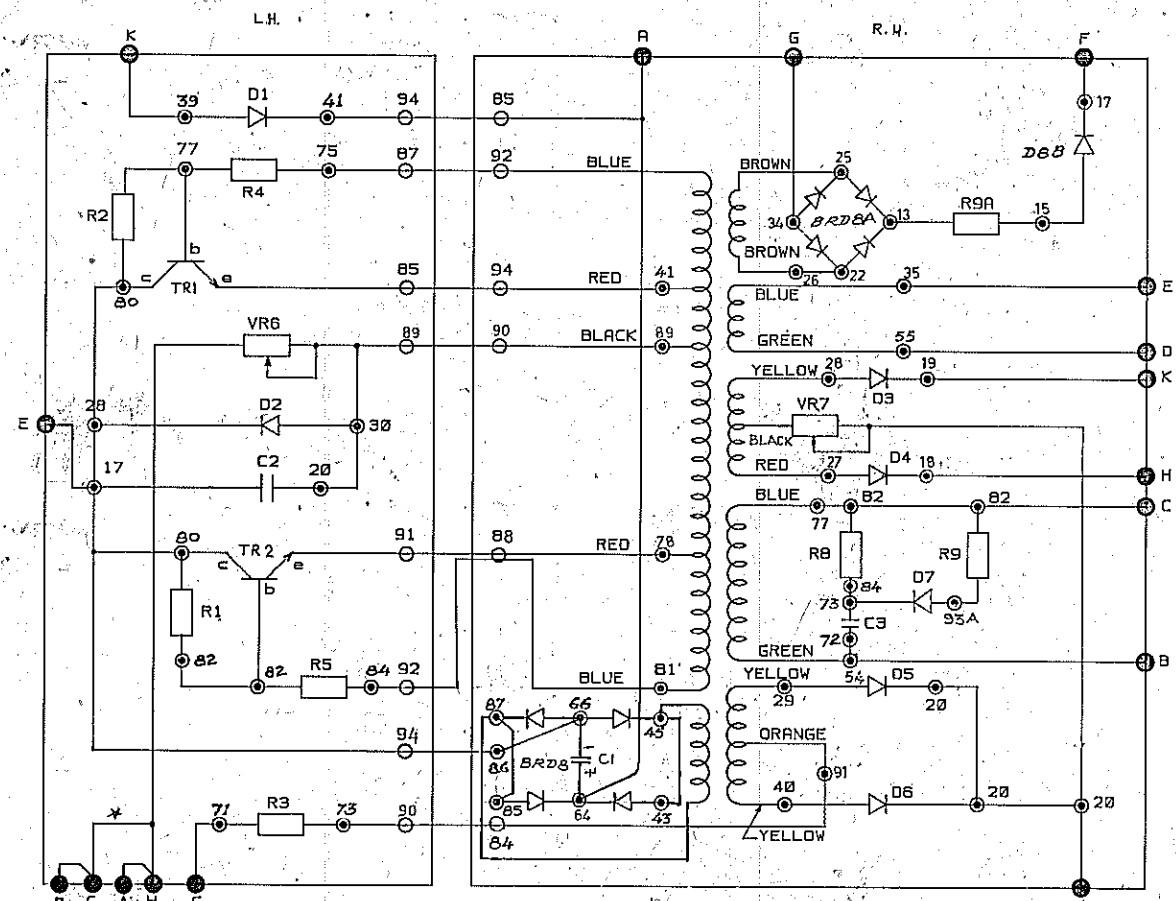
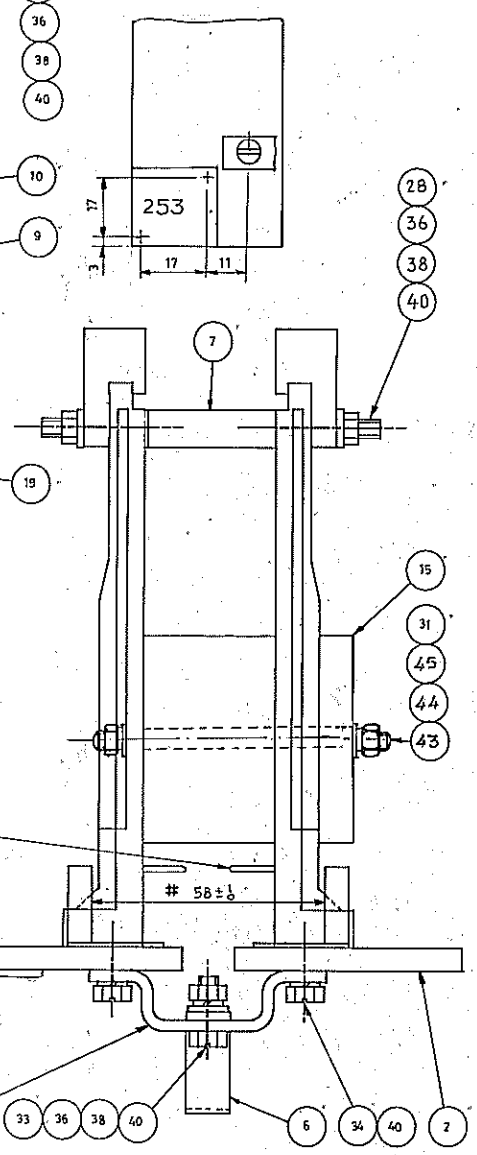


FIXING DETAILS OF PLATE INDICATING



- NOTE -
- INDICATES EXTERNAL CONNECTION POINTS ON CARD.
  - INDICATES PIN POINTS (FOR SOLDERING COMPONENTS).
  - GUIDE PIN OF R.H. SHROUD TO BE REMOVED.
  - CUT 50mm DIA HOLE ON R.H. CARD TAKING CENTER AT THE CENTER OF HOLE NOS. 40, 50 & 59.
  - FASSTENERS TO BE ZINC PLATED TO 0.013TK & PASSIVATED TO PR.5. AA0673603 & AA0673604 RESPLY.
  - THIN COAT OF PCB PROTECTIVE COATING TO BE APPLIED ON COMPONENT SIDE AFTER ASSY. AND TESTING.
  - DIMENSIONS MARKED \* ARE TO MAINTAIN.
  - ITEM MARKED THIS \* ARE TO BE TAKEN FROM FRAME ASSY. 16702300018.
  - PIN NOS. FOR SOLDERING COMPONENTS AND CONNECTING WIRE ARE INDICATED ON CARD.
  - ITEM 015 TO BE FITTED ON L.H. CARD THROUGH HOLE DRILLED AT THE CENTER HOLE NOS. 47, 57 & 58.
  - ITEM MARKED THIS \* TO BE WIRED WITH (16AWG) 37/2 PTFE WIRE
  - WRITE MONTH/YEAR OF MANUFACTURING WITH BLACK PAINT
  - PTFE WIRE SLEEVE 12 MM LONG TO BE INSERTED ON TRANSISTOR EMMITER (GREY) AND BASE (BLACK) LEADS.
  - FOR DMC CARDS - AFTER ASSY & TESTING APPLY THIN COAT OF PARALOID B66 ACRYLIC RESIN (30%) SOLUTION IN XYLENE (70%) OR EQUIVALENT ON THE COMPONENTS MOUNTED ON DMC CARDS, WITH A BRUSH

ITEM NO.	DESCRIPTION	QTY	DRAWING NO.	MATL CODE	UNIT WT.	NO. OF ITEMS
002	045 NUT HEX PM4-B		AA751102020			
002	044 WASHER SPRING SCB4-ST		AA764002029			
002	043 WASHER MCD 4-3-ST		AA761001021			
001	042 CARD BLANK	3 670 23 00025	01 BP9067561371			
004	041 WASHER SPG SC R5 ST		BP7164001922			
021	* 040 WASHER SPG SC R5 ST		BP7164001936			
004	039 WASHER MCD 3.2 ST		AA7161001019			
017	* 038 WASHER MCD 5.3 ST		AA7101001030			
004	037 NUT HEX P M3-B		AA7151102011			
017	* 036 NUT HEX P M5-B		AA7151102030			
004	035 SCRU SLT CHS RP M3X12-4.8		AA7124102049			
004	* 034 SCRU HEX SLT RP M5X12-4.8		BP7121105910			
006	* 033 SCRU HEX SLT RP M5X16-4.8		BP7121105900			
002	032 SCRU HEX SLT RP M5X40-4.8		BP7121105801			
001	031 STUD M4 X 7.6 L6	4 699 21 39058	003 BP9011016017			
002	* 030 SCRU SELF TAPPING NO. 4XBLG.		BP9007544460			
002	029 STUD M5X75 ST	4 699 21 39059	004 BP901016491			
002	* 028 STUD M5X90 ST	4 699 21 39059	007 BP901016483			
AS RECD.	027 WIRE 19/.127 PTFE (24AWG) CABLE		BP991331030			
002	TR1, TR2		AA7425005237			
016	01-7,08B BR00, BR08A		AA7405101123			
001	C2		AA7460251009			
002	C1, C3		BP9047565466			
001	VR7		BP9047565886			
001	VR6		BP9047562029			
002	R1, R2		BP9047565030			
001	R9A		BP9047565878			
002	R8, R9		AA7460302046			
002	R4, R5		AA7460301552			
001	R3		BP9047512642			
001	015 OSC. TRANSFORMER E5950076	5 C4 MILL HCR TOROIDAL CORE	BP9047512642			
003	014 STANDARD TERMINAL	3 670 01 00006	001 BP9047510763			
004	013 INSULATING WASHER	C950019	001 BP9061019010			
001	012 HEAT SINK	3 670 23 00012	001 BP9047512901			
004	011 CLAMP FOR RESISTOR	2 670 23 00010	002 BP9087516010		0.02	
017	010 CONTACT	4 670 23 00005	001 BP9087556705		0.33/100	
002	* 009 SHROUD	3 670 23 00014	001 BP9047511042			
053	008 PIN, 2954-F2 (AECOSER)		BP9047555015			
002	* 007 SPACER	3 670 23 00016	001 BP9087512651			
001	* 006 HANDLE	4 670 23 00007	001 BP9087511353		0.06	
002	* 005 CLAMP	4 670 23 00008	001 BP9087512546		0.03	
001	* 004 PLATE INDICATING 253	2 670 23 00007	005 BP9027512477			
001	* 003 COVER ASSY.	2 670 23 00009	001 BP9087512155			
001	* 002 COVER ASSY.	2 670 23 00009	01 BP9087512163			
001	* 001 CARD BLANK	3 670 23 00024	01 BP9067561363			

THE INFORMATION ON THIS DOCUMENT IS THE PROPERTY OF BHARAT HEAVY ELECTRICALS LIMITED. IT MUST NOT BE USED DIRECTLY OR INDIRECTLY IN ANY WAY DETRIMENTAL TO THE INTEREST OF THE COMPANY.

REV. DATE

REV. DATE

REV.	DATE	ALTD.	BY	REASON	REV.	DATE	ALTD.	BY	REASON
07	27/3/99	CHANGED	CHD	REVISION	05	01/19/99	ADDED	CHD	REVISION
06	01/19/99	ADDED	CHD	REVISION	04	19/2/99	ADDED	CHD	REVISION
05	01/19/99	ADDED	CHD	REVISION	03	24/4/94	CHD	CHD	REVISION
04	19/2/99	ADDED	CHD	REVISION	02	03/3/90	CHECKED	CHD	REVISION

ADDITIONAL INFORMATION  
253 EXCP

STATUS OF DRAWING  
M

DISTRIBUTION OF PRINTS  
OFFICE COPY 3  
REFM 1  
TCX (RFM) 1

TYPE OF PRODUCT  
E. TYPE

NAME OF CUSTOMER/ PRODUCT  
INDIAN RAILWAYS

BHARAT HEAVY ELECTRICALS LTD.  
BHOPAL

SCALE  
1:1

WEIGHT (kg)  
-

REF. TO ASSY. CRG.  
1670 23 00019

TITLE  
ASSY. WIRING & SCH DIAGRAM OF OSC CARD (253)

DRAWING NO.  
1 670 23 00026

SHEET NO. 27