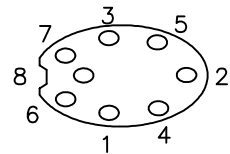
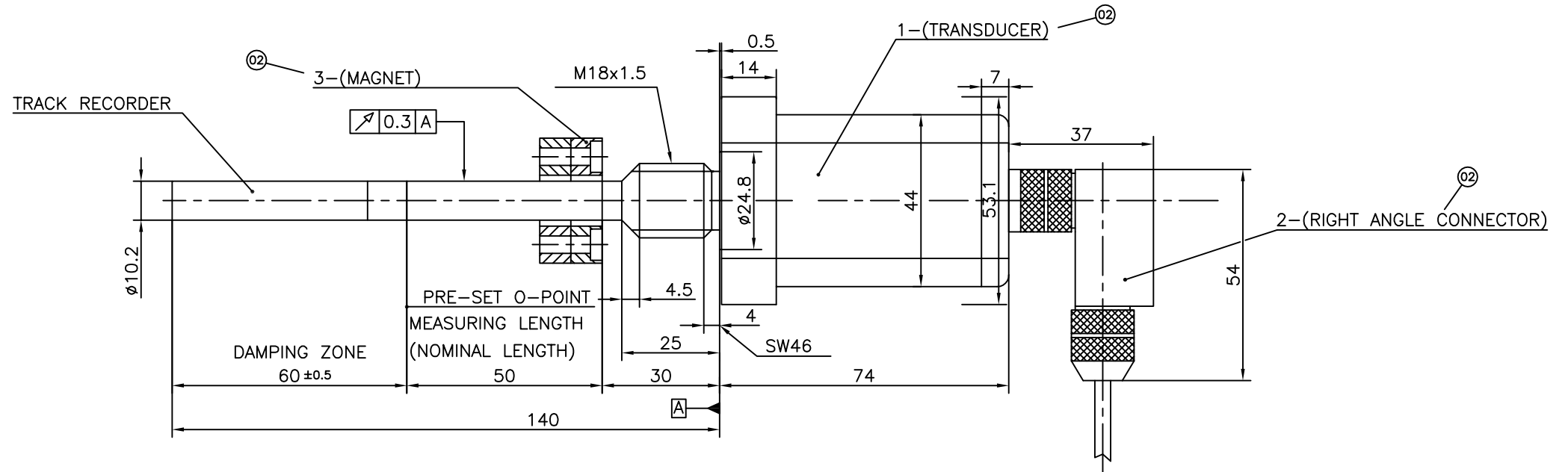


21142211002
DRAWING NO.

CONNECTION DIAGRAM



PIN	COLOR	DESCRIPTION
1	YE	4-20 mA
2	GY	OV-GND
3	PK	
4		
5	GN	
6	BU	GND
7	BN	+24V
8	WH	



TECHNICAL DATA

METHOD OF MEASUREMENT : ULTRA SOUND BASE
 TYPE : ACCORDING TO FORM, REFER TABLE-1
 MEASURING LENGTH (L) : L (REFER TABLE-1)
 OUTPUT SIGNAL : 20-4 mA
 CHARACTERISTICS : FALLING
 POSITION TRACK SETTING : 100% WITHIN THE MEAS. LENGHT
 SUPPLY : 24V DC/150mA
 LOAD RESISTANCE : ≤ 500 Ω
 SYSTEM RESOLUTION : 0.66 μA
 REPRODUCIBILITY : = < 10 μm
 LINEARITY DEVIATION : ±100 μm TO 500mm MEASURING LENGTH
 TEMP. RANGE : -40 TO 85°C
 ELECTRICAL CONNECTION : PLUG CONNECTION
 TYPE OF PROTECTION : IP 67
 VIBRATION STRENGTH : 12g/10-2000Hz

OTHER DATA ACCORDING TO DESCRIPTION
 ALL OTHER DATA AS PER PROSPECTUS.

TABLE-2:

POSITION TRANSMITTER BHEL MATERIAL CODE W97311422159 COMPRISES OF FOLLOWING ITEM:-

ITEM NO.	DESCRIPTION	TYPE	CODE
01	TRANSDUCER	BTL7-E170-M0050-B-S32	-
02	RIGHT ANGLE CONNECTOR	BKS-S 33M-00	W97311422205
03	MAGNET	BTL-P-1013-4R	W97311422213
04	CALIBRATION DEVICE (SUITABLE FOR ITEM NO. 1)	BTL5A-EH01	W97311422221

SUPPLIER:

M/S BALLUFF (73765) OR EQUIVALANT

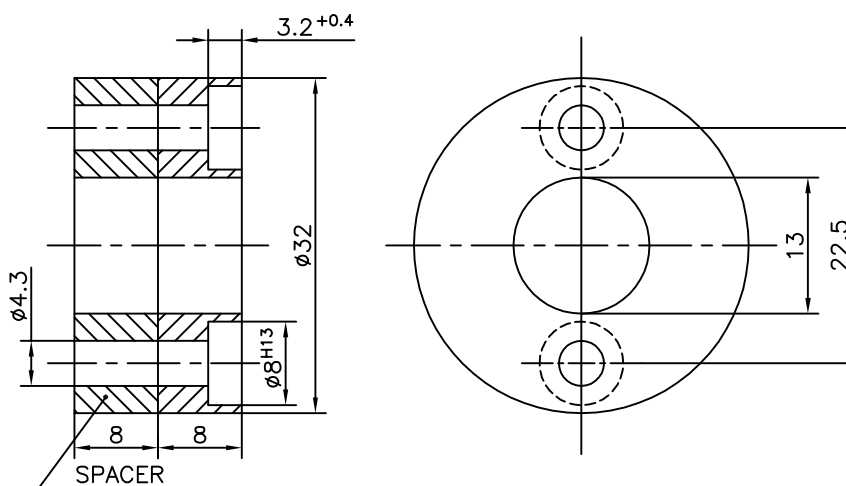


TABLE-1:

VAR.	MEASURING LENGTH L	TYPE	MATERIAL CODE
00	50	BTL7-E170-M0050-B-S32	W97311422159

COPYRIGHT AND CONFIDENTIAL
 THE INFORMATION ON THIS DOCUMENT IS THE PROPERTY OF BHARAT HEAVY ELECTRICALS LIMITED
 IT MUST NOT BE USED DIRECTLY OR INDIRECTLY IN ANY WAY DETRIMENTAL TO THE INTEREST OF THE COMPANY.

INVENTORY NO. A
 SIGN & DATE B
 2300226 REF. DRG NO. C

CBOM NO. 11142211000		STATUS OF DRG.		TYPE OF PRODUCT STEAM TURBINE			
AGREED DEPT. CIE		NAME VINOD		SIGN SD/-		DATE 29.9.08	
GRADE OF UNTOL. DIM:-				NAME OF CUSTOMER/ PROJECT			
M/CG- V/C/M/F AA 0230208				BHARAT HEAVY ELECTRICALS LTD. HARDWAR			
WELDING-A/B/C/D-AA621104				DRN SSTENN		SIGN SSTENN	
GAS CUTTING-T3'AA0621101				CHD SSTENN		DATE 17/10/2008	
REV. DATE 02 11.05.12		ALTERED H.GARG SD/-		APD		NO. OF ITEMS 75, 74	
01 18.02.09		CHECKED N.NIRALA SD/-		DEPT. STE		REF. TO ASSY. DRG.	
01 18.02.09		CHECKED NIRALA SD/-		CODE 4011		1-11422-11000	
CHANGED AS PER C./ADV. NO. STE-12-F0197.				CHANGED AS PER C./ADV. NO. STE-09-F0038.			
SCALE N.T.S.				WEIGHT(Kg.) 0.35		ITEM NO. 02	
TITLE POSITION TRANSMITTER				DRAWING NO. 21142211002			
SHEET NO. 1				NO. OF SHEETS 1			