

1901122112

ON SWING

TECHNICAL REQUIREMENTS:-

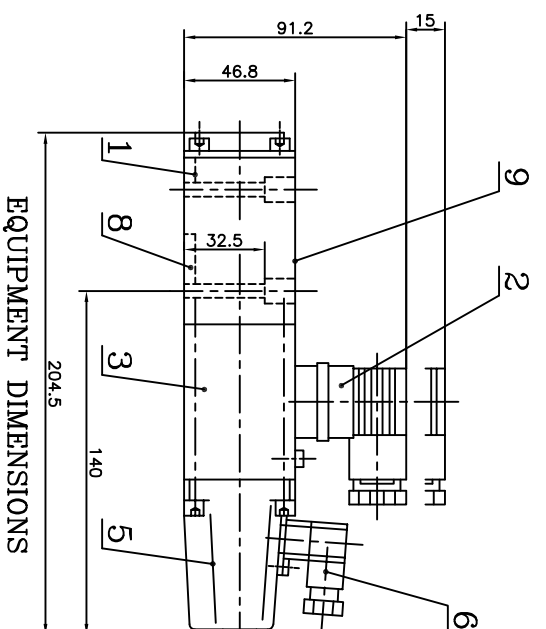
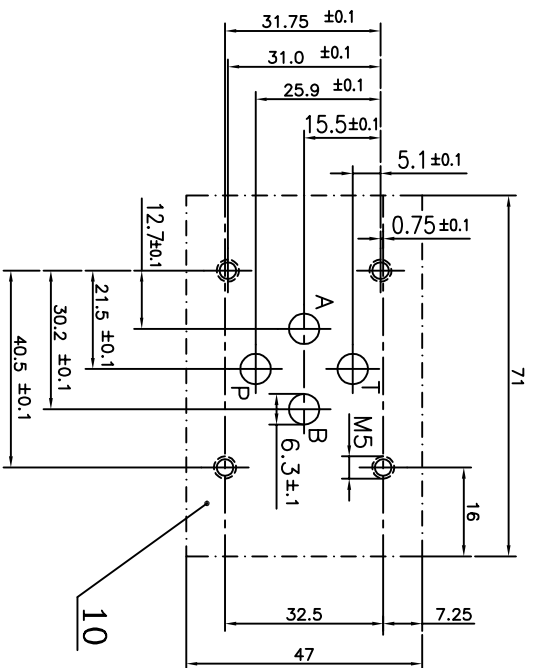
- 1.0 PROPORTIONAL VALVE:
 - 1.1 TYPE : STW 0115-1X/X2-40/V (WITH MANIFOLD PLATE AS PER DETAILS IN SHEET 2)
 - HYDRAULIC PARAMETERS :
 - 1.2 NOMINAL SIZE : NG6
 - 1.3 OPERATING PRESSURE : MAX. 64 bar
 - 1.4 PRESSURE FLUID : HYDRAULIC OIL / PHOSPHATE ESTER BASED FRF FILTRATION : 0.1mm.
 - 1.5 PRESSURE FLUID TEMPERATURE : 20 TO 70°C
 - 1.6 AMBIENT TEMPERATURE : -20 TO +70°C
 - 1.7 RATED VOLUME FLOW : 36L/MIN. AT P_v=70 bar
 - 1.8 PLUG AND SOCKET CONNECTORS SHALL BE PROVIDED FOR ELECTRICAL CONNECTIONS ON PROPORTIONAL VALVE AND ITS POSITION TRANSDUCER.
 - 1.9 POSITION FEEDBACK MEASUREMENT TO BE PROVIDED ON THE PROPORTIONAL VALVE AND FED BACK TO THE POSITION CONTROLLER OF AMPLIFIER MODULE.
 - 1.10 IN CASE OF POWER SUPPLY OR OTHER FAULTS, THE PROPORTIONAL VALVE SHALL GO TO FAIL SAFE POSITION WHICH SHALL CONNECT HYDRAULIC SUPPLY TO PORT B AND PORT A TO TANK. MOVEMENT TO FAIL SAFE POSITION SHALL BE ACHIEVED WITH THE HELP OF A SPRING.
 - 1.11 SPECIAL STORAGE INSTRUCTIONS FOR ELECTRONIC MODULES TO BE FURNISHED BY THE VENDOR.

2.0 AMPLIFIER MODULE & CAPACITOR MODULE

- 2.1 MATCHING AMPLIFIER MODULE & CAPACITOR MODULE MOUNTED DIN RAIL IN A LOCAL JUNCTION BOX JB(P65) SHALL BE SUPPLIED SEPARATELY AGAINST BHEL DWG. NO. 2-11422-11052, MATERIAL CODE NO. W97311422183.

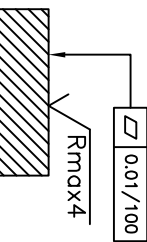
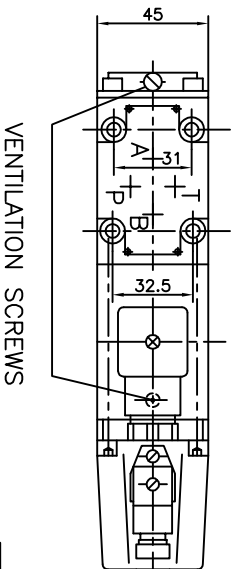
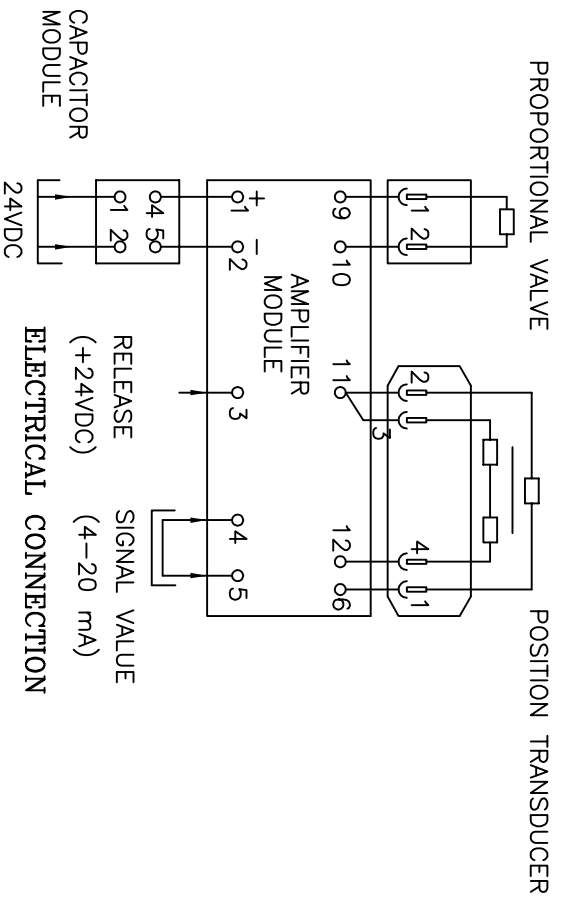
3.0 OTHERS REQUIREMENTS:-

- 3.1 FUNCTIONAL TEST TO BE CARRIED OUT AT PURCHASER'S WORKS
- 3.2 CONFIRMATION OF OPERATING TIME WITHOUT OVERHAUL OF MIN. 24000hr
- 3.3 ASSEMBLY POSITION ARBITRARY
- 3.4 PAINT : RESISTANCE TO PHOSPHATE ESTER (ON EPOXY RESIN BASE OR D/D VARNISH)
- 3.5 SCREWS FOR FIXING PROPORTIONAL VALVE TO BE SUPPLIED ALONG WITH MANIFOLD PLATE.
- 3.6 PACKING: TRANSPORT WITHOUT DAMAGE IS TO BE ENSURED. THE IMMEDIATE PACKING OF COMPONENT IS IDENTIFIED WITH FOLLOWING NOTE ON THE STICKER/ LABEL :-
- ATTENTION:
- OPEN PACKING ONLY AT THE TIME OF ASSEMBLY. CLEAN THE COMPONENT ACCORDING TO CLEANLINESS CLASS 1.
- 3.7 ALL OTHER DATA AS PER BROCHURE.
- 3.8 MAKE : M/S BOSCH REXROTH OR EQUIVALENT.



EQUIPMENT DIMENSIONS

T = DRAIN
 P = OIL SUPPLY
 A-B = TO MANIFOLD



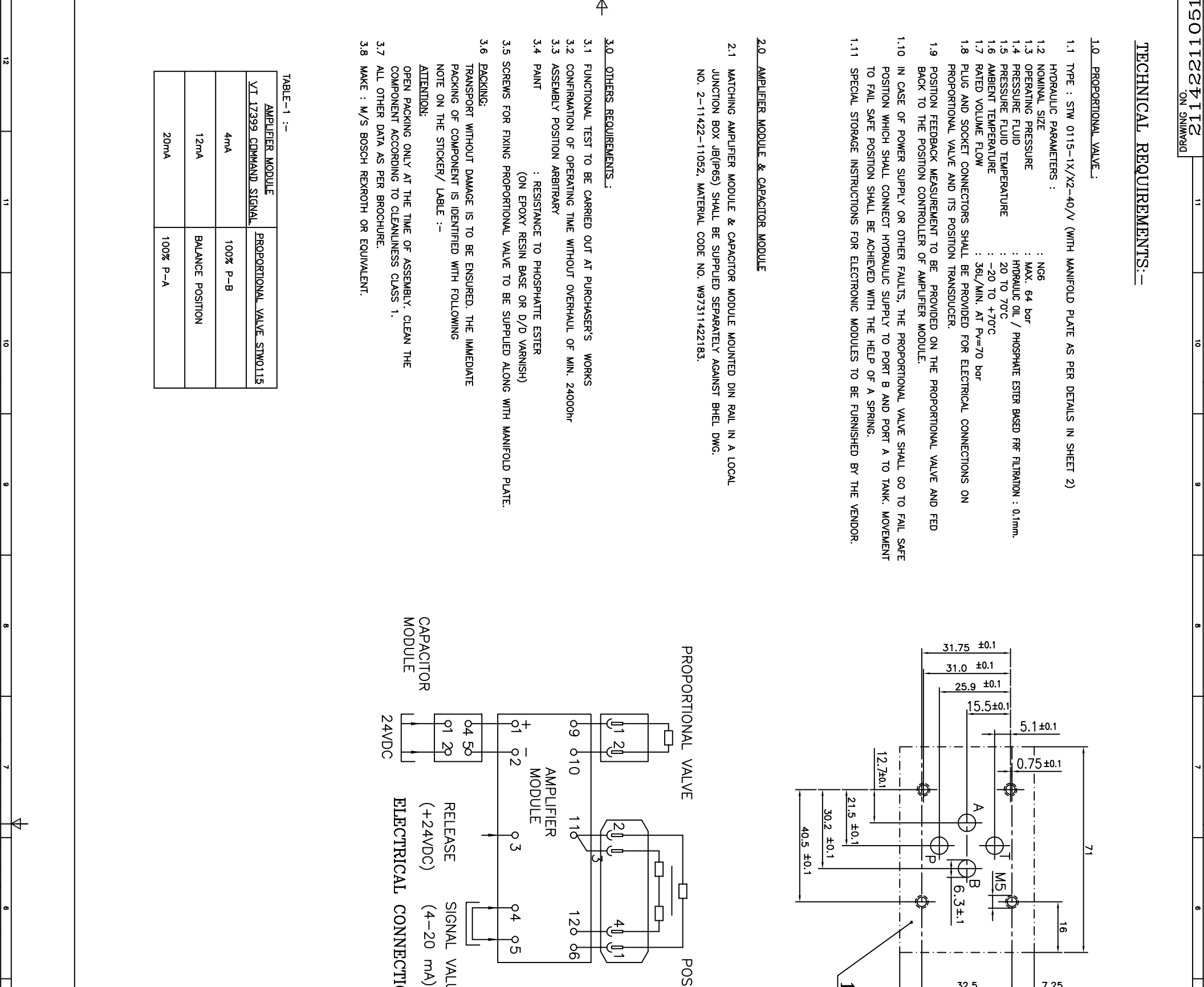
- NECESSARY SURFACE FINISH OF THE COUNTER PART; VALVE FIXING 4XMSX40 DIN 912
- 1. VALVE CASING
 - 2. ELECTRICAL CONNECTOR
 - 3. PROPORTIONAL VALVE
 - 5. POSITION TRANSDUCER
 - 6. PLUG CONNECTOR
 - 8. O-RING 9.25X1.78 (A B P T)
 - 9. RATING PLATE
 - 10. MACHINED VALVE SUPPORT AREA POSITION OF CONNECTIONS

TABLE-1 :-

AMPLIFIER MODULE	PROPORTIONAL VALVE STW0115
4mA	100% P-B
12mA	BALANCE POSITION
20mA	100% P-A

INVENTORY NO. SIGN & DATE REF. DRG NO. 8640161AUS f.1

THE INFORMATION ON THIS DOCUMENT IS THE PROPERTY OF BHARAT HEAVY ELECTRICALS LIMITED IT MUST NOT BE USED DIRECTLY OR INDIRECTLY IN ANY WAY DETRIMENTAL TO THE INTEREST OF THE COMPANY.



GRADE OF UNITOL. DIM.:-	31142211050	CBOM NO.	31142211050	TYPE OF PRODUCT	STEAM TURBINE
M/CG- V/C/M/F AA 0230208	DESIGNED	NAME	YANKOR	OR	NAME OF CUSTOMER/ PROJECT
WELDING-A/B/C/D-AA621104	DRAWN	SIGN	PARTOOK		
GAS CUTTING-TTAA0821101	CHECKED	DATE	27/11/2008		
REV DATE ALTERED CHECKED	REV DATE ALTERED CHECKED	REV DATE ALTERED CHECKED			
BHARAT HEAVY ELECTRICALS LTD.		HARDWAR		TITLE	
DEPT. STE		SCALE		N.T.S	
CODE 4011		WEIGHT(KG)		31142211050	
DRAWING NO.		SHEET NO.1		NO. OF SHEETS 2	
21142211051		1		2	
WITH MANIFOLD		1		2	

MAT.CODE: W97311422191