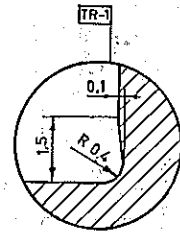
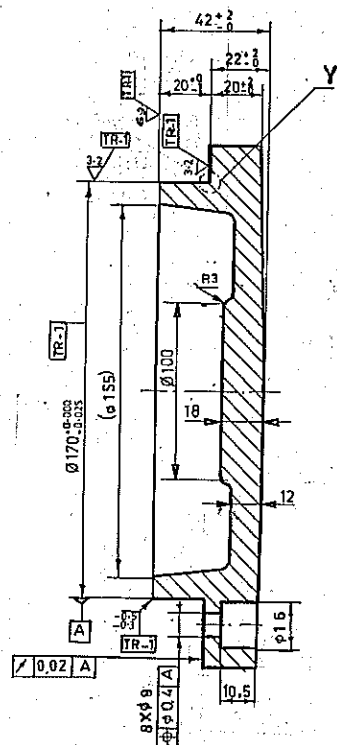
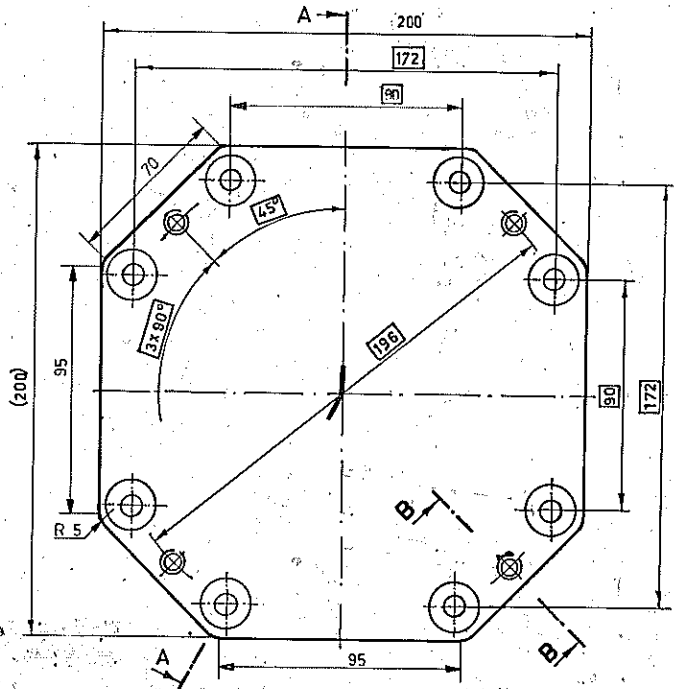


THE INFORMATION ON THIS DOCUMENT IS THE PROPERTY OF BHARAT HEAVY ELECTRICALS LIMITED. IT MUST NOT BE USED DIRECTLY OR INDIRECTLY IN ANY WAY DETRIMENTAL TO THE INTEREST OF THE COMPANY.

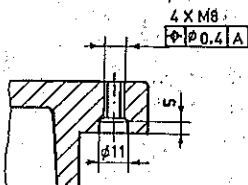
INVENTORY NO. 240232072  
SIGN. & DATE  
REF. DRG. NO.

GAUGE LIST					
LIMITS	MM	SYM	TOOL NO.	ITEM	TYPE
170-00/169-975	170-00	-	1508336	1	CALIPER GAUGE

TOOL LIST		
ITEM	TOOL NO.	DESCRIPTION
1	1567276	FORM TOOL FOR DETAIL 'Y'
1	1567277	D.P. FOR ALL HOLES



**ATTENTION**  
FLAME & EXPLOSION PROOF



SECTION-B B

TECH. REQ. TR

- SPECIAL SURVEILLANCE REQUIRED UN-DIMENSIONED OUTER EDGE. OUTER SURFACES TO BE GROUND TO FV 20502.
- IT. 001 TO BE STRESS RELIEVED TO PR.S.7110

5 Kg	001	COVER	PART. 1241157	AA19721
VAR. 01	REMARKS	VAR. NO.	ITEM NO.	DESCRIPTION
VAR. 02	VAR. NO.	DESCRIPTION	DRAWING NO.	MATL. CODE
VAR. 03	VAR. NO.	DESCRIPTION	DRAWING NO.	MATL. SPECN.
VAR. 04	VAR. NO.	DESCRIPTION	DRAWING NO.	UNIT WT.
VAR. 05	VAR. NO.	DESCRIPTION	DRAWING NO.	UNIT QTY.

ADDITIONAL INFORMATION  
41160 A 40711  
STATUS OF DRAWING

TYPE OF PRODUCT OR NAME OF CUSTOMER / PROJECT  
BHARAT HEAVY ELECTRICALS LTD.  
BHOPAL

DISTRIBUTION OF PRINTS  
AME - 1 IMM - 3  
TEX (MM)-1 FYM - 4

DRN. NAME SPVERMA SIGN DATE NO. OF VAR.  
CHD. V.K. JAIN 24/11/92  
APPD. V.R.G. MOOR... 6-3-92

REV.	DATE	ALTO. (SPV)	CHKD.	REV.	DATE	ALTO. (SPV)	CHKD.	REV.	DATE	ALTO. (SPV)	CHKD.	REV.	DATE	ALTO. (SPV)	CHKD.	REV.	DATE	ALTO. (SPV)	CHKD.	REV.	DATE	ALTO. (SPV)	CHKD.		
05	23/5/99			04	7.8.98	CHECKED		03	06/3/93	CHECKED		02	13/5/92	CKD		01	18/1/92	ALTERED							
(F-1&2) IN TOOL LIST TOOL NO. 1567277 ADDED. (ZONE E-4), 3/2 WAS 1-3 AND 6/3 WAS ALSO 1-3 TECH. REQ. 2 ADDED. CASTING DIMENSIONS ADDED TOOL LIST & GAUGE LIST ADDED.																									

DEPT. AME CODE 404 GRADE OF UN.TOL. DIM. & M.P. SCALE NTS WEIGHT (Kg) REF. TO ASSY. DRG. 2 402 23 40 020 ITEM NO. 002 NO. OF ITEMS 05

TITLE **TERM. BOX COVER** 1xCS 400, EE & IIC

DRAWING NO. **24022342006** SHEET NO. 1 NO. OF SHEETS 1