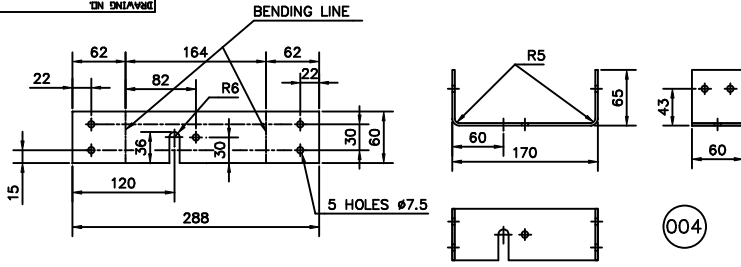
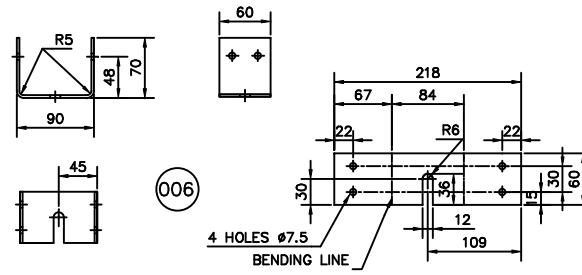


90590 06 121 2 521 90 06506

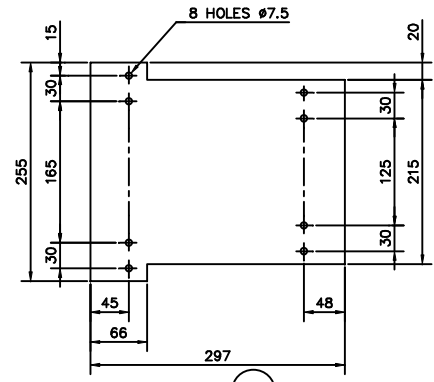
INVENTORY NO. SIGN & DATE REF. DRG. NO. 28219006506-R06-S01 THE INFORMATION ON THIS DOCUMENT IS THE PROPERTY OF BHARAT HEAVY ELECTRICALS LIMITED. IT MUST NOT BE USED DIRECTLY OR INDIRECTLY TO THE INTEREST OF THE COMPANY.



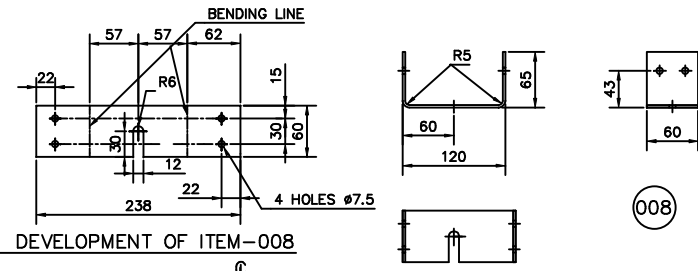
DEVELOPMENT OF ITEM-004



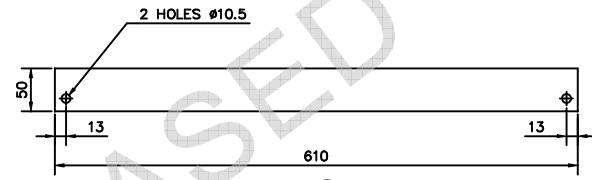
DEVELOPMENT OF ITEM-006



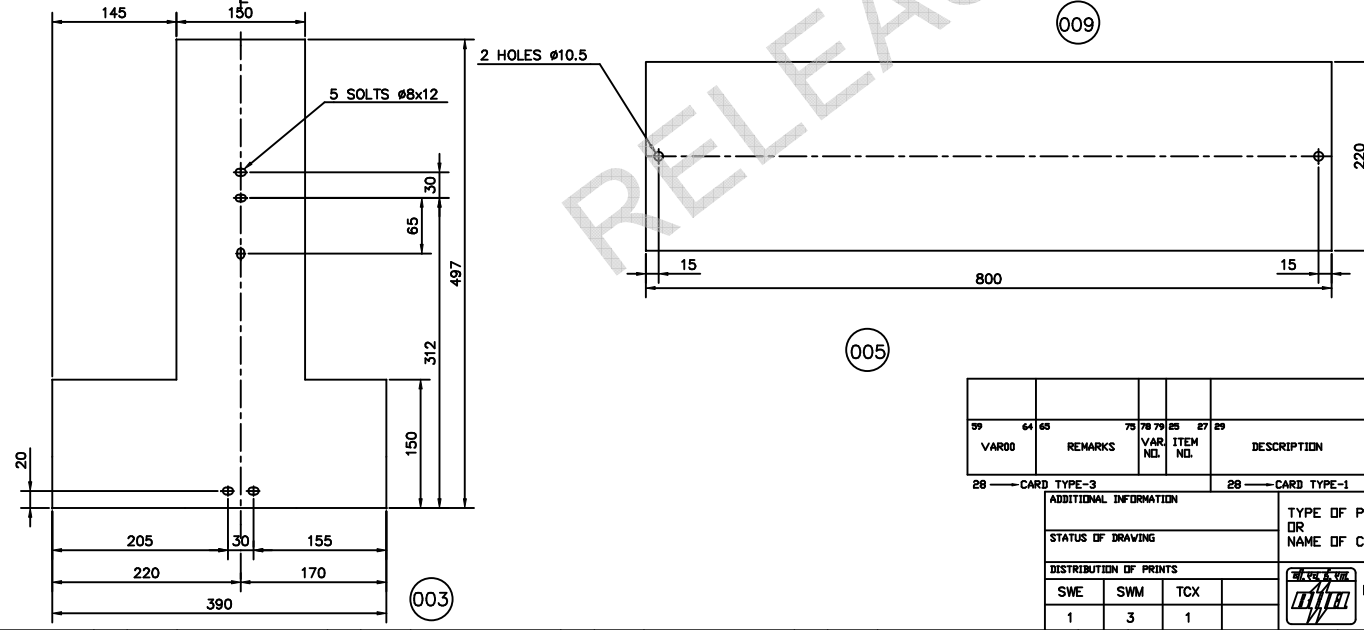
007



DEVELOPMENT OF ITEM-008



009



005

59	64	65	75	78	79	85	87	89	98	99	60	77	29	31	34	45	50	51	52	53	54	55	56	57	68	69	70	71	72
VAR00	REMARKS	VAR. NO.	ITEM NO.	DESCRIPTION	DRAWING NO.	STD.	IT. NO.	MATL. CODE	UNIT WT.	UNIT QTY.	ZONE	VAR.	MATL. SPCN.	UNIT WT.	UNIT QTY.	ZONE													

ADDITIONAL INFORMATION			TYPE OF PRODUCT OR NAME OF CUSTOMER / PROJECT		
STATUS OF DRAWING			VM-12(BT-II)		
DISTRIBUTION OF PRINTS			BPHARAT HEAVY ELECTRICALS LTD. BHOPAL		
SWE	SWM	TCX	DRN. P. NAME	SIGN	DATE
1	3	1	CHKD. K.S. MANI		0.6.02
			APPD. D. BHATT		0.6.02
DEPT. SWE	UNTL. DIMS. GR.	SCALE	WEIGHT (K.G.)	REF. TO ASSY. DRG.	ITEM NO.
409	AA 0230208	1:4	01	-	-
TITLE			DRAWING NO.		
BARRIERS			2 521 90 06506		
			REV. 06		
			SHEET NO.01		
			NO. OF SHEETS 04		

REV. 06	DATE 19.09.12	CHECKED RG	APPROVED MAK	REV. 05	DATE 03.03.12	CHECKED PUNIT	APPROVED HRP	REV. 04	DATE 12.10.11	CHECKED PUNIT	APPROVED HRP	REV. 03	DATE 8.6.11	CHECKED PKN	APPROVED MAK	REV. 02	DATE 6.6.05	CHECKED APPROVED	DEPT. SWE	UNTL. DIMS. GR.	SCALE	WEIGHT (K.G.)	REF. TO ASSY. DRG.	ITEM NO.	NO. OF SHEETS
ZONE		-ITEM 021,022 & SHEET 04 ADDED. -DIM. 150 WAS 100 OF ITEM 003. -5 SLOTS WAS 4 SLOT IN ITEM 001 & 003 (DCA. NO. 31308)		ZONE		HOLE Ø7.5 ADDED FOR ITEM 015 016 & 017. (DCA NO. 30932)		ZONE		ITEM-019 & 020 ADDED. (DCA NO. 30677)		ZONE		IN DEVELOPMENT OF ITEM 006 DIM. 22 & 22 WERE 20 & 20. (DCA NO.30411)		ZONE		T.012 TO 018 ADDED (DCA NO.23295)							

RELEASED