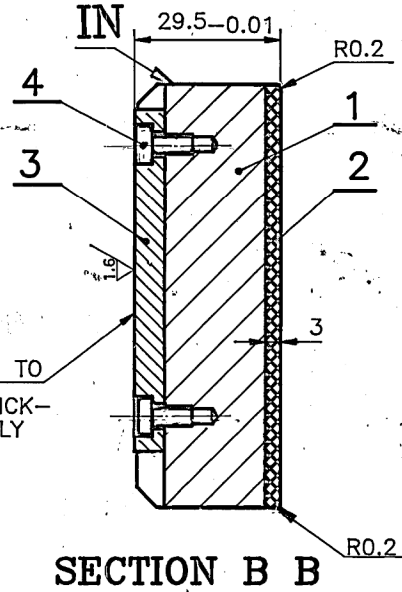
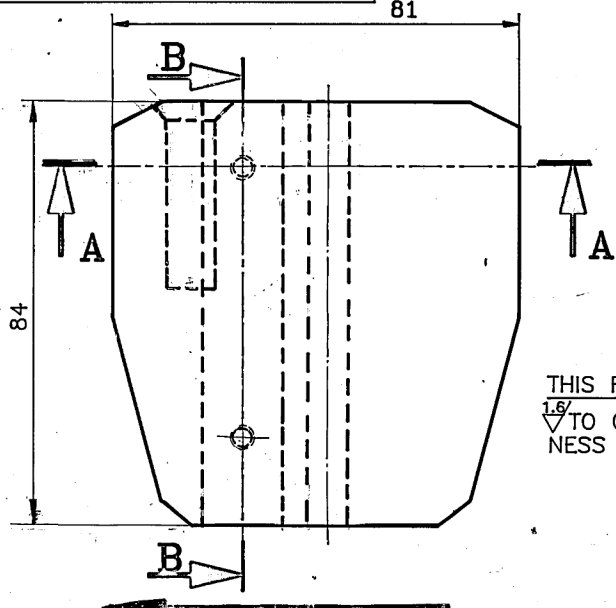


FIRST ANGLE PROJECTION

(ALL DIMENSIONS ARE IN mm)

FORM DG 38(B)

09010-30211-3
DRAWING No. 81



NOTE

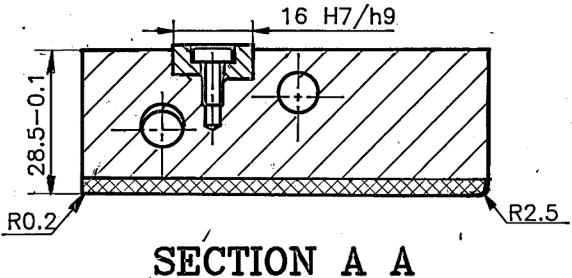
IN CASE OF SPARE DIMENSION 29.5-0.01 TO BE MADE 30.5

TECH. REQ.

- 1-AFTER BABBING TESTING IS TO BE CARRIED OUT AS PER HW0850195.
- 2-IDENTIFICATION ACC. TO HW0400397 AT THE PLACE MARKED WITH IN.

07 SUPERSEDES OLD DRAWING UNDER SAME NUMBER

DIRECTION OF ROTATION



002	004	SCRU CAP SOC. SH. HD PM4X8	AA7123125	HW7123125673	C	NO.	0001				
001	003	FITTED KEY	4-11703-01092	AA1011822156	C	NO.	01010				
001	002	BABBIT		AA10122	C	NO.	0140				
001	001	PAD BODY	3-11703-01051	HW1285097009 HW 12.8 97	C	NO.	1300				
				AA1015227058	C	NO.	1300				
				AA19332	C	NO.	1300				
VAR. 00	REMARKS	ITEM No.	DESCRIPTION	MATERIAL CODE	A	F	UNIT WEIGHT				
59	64 65	75 25 27	29	58 69 60	77	32 33 46	58 (KG) 65				
CARD TYPE-3 28				CARD TYPE-1				CARD TYPE-2			

COPYRIGHT AND CONFIDENTIAL
THE INFORMATION ON THIS DOCUMENT IS THE PROPERTY OF BHARAT HEAVY ELECTRICALS LIMITED. IT MUST NOT BE USED DIRECTLY OR INDIRECTLY IN ANY WAY DETERIMENTAL TO THE INTEREST OF THE COMPANY.

Inventory No. 25/14098
Sign & Date 8/12/95

GMS No./GR. SP. NO. CBOM 011703 01000				STATUS OF DRG U				TYPE OF PRODUCT OR NAME OF CUSTOMER/PROJECT				
AGREED DEPT				NAME				SIGN				
S. T. T.				M. SINGH				23.11.95				
M. T. E.				V.B.A				2.12.95				
GRADE OF UNTOL.DIM				M/CG.-Z/M/F AA0230208				DRN NAME SIGN DATE NO. OF VAR				
WELDING=A/B/C/D AA0621104								CHD K. R. M. 12/11/95				
GAS CUTTING=T3 AA0621101								APPD ANARAIN Anarain 2/12/95 73 74				
REV	DATE	ALTERED	REV	DATE	ALTERED	DEPT	STE	SCALE	WEIGHT (KG)	REF. TO ASSY. DRG.	ITEM No.	NO. OF ITEMS
		CHECKED	08	22.5.01	CHECKED	4011		1 : 1	1.45	0-11703-0100	005	75 77
BOM DELETED.				CBOM 011703 01000 WAS GMS 011703 01000				TITLE : THRUST BEARING PAD				
CHG. ADVICE No STE-01-215				STE-95-485				CARD CODE				
								DRAWING NO. 3-11703-01050				
								SHEET No. 01 No. OF SHEETS 01				

SIZE A3