

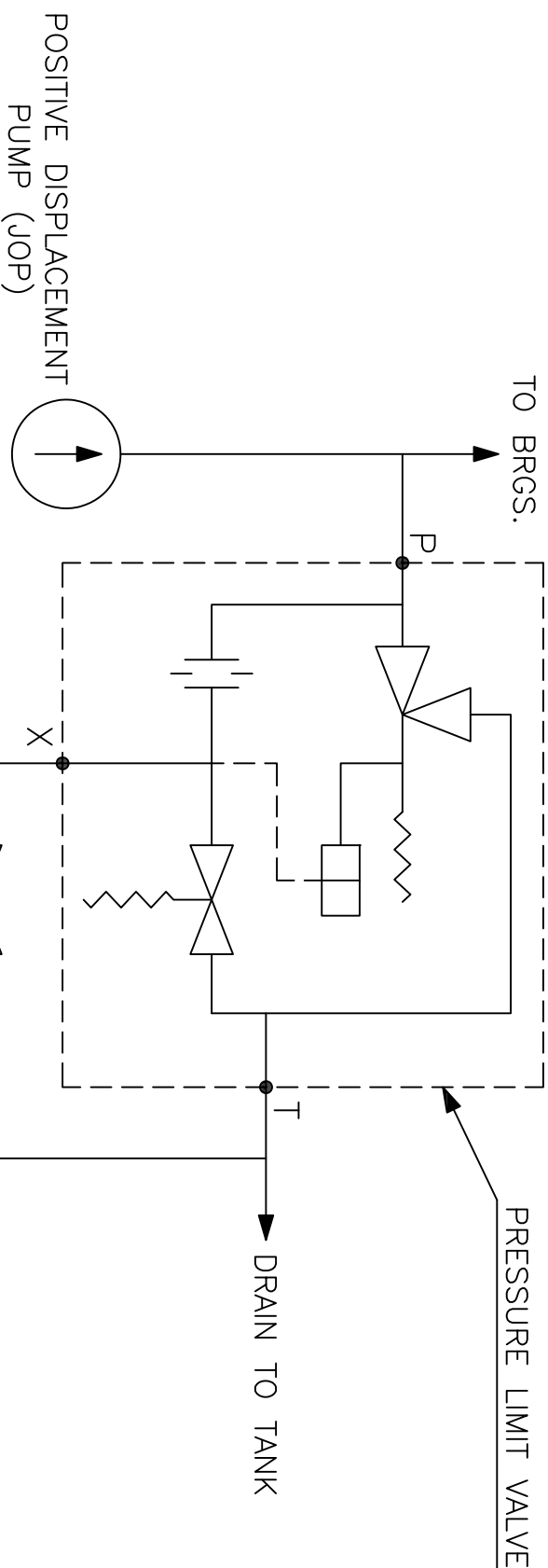
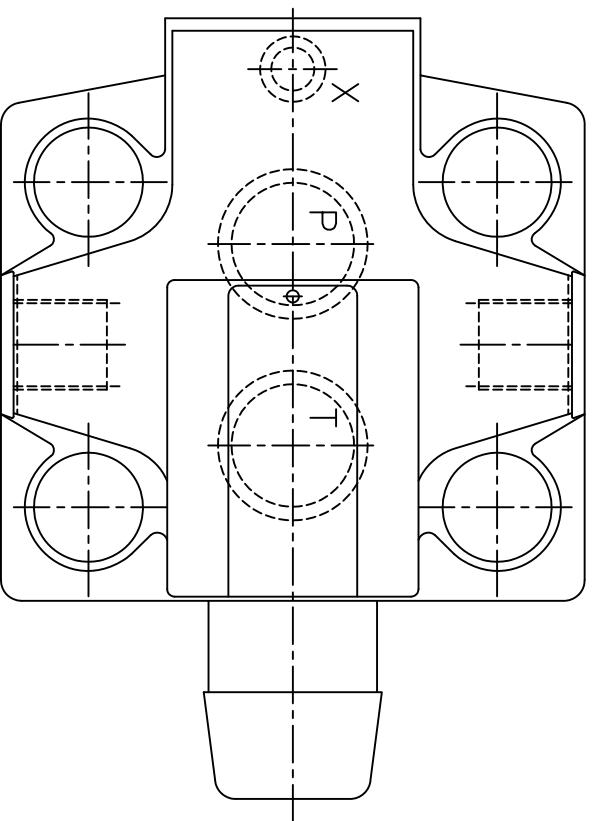
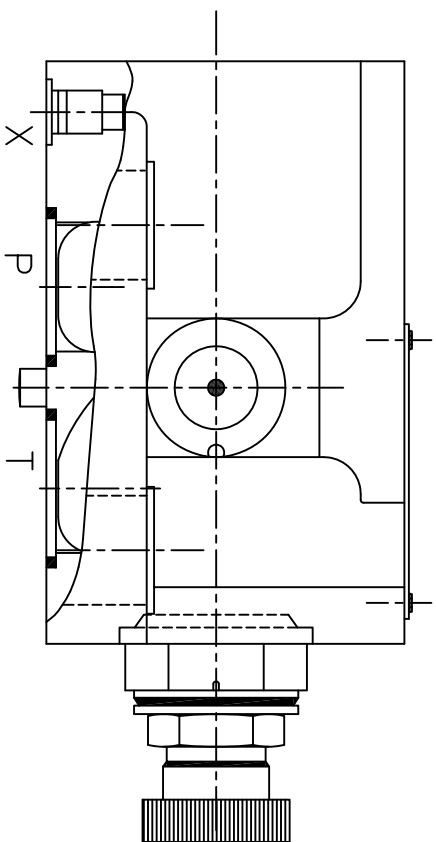
THE INFORMATION ON THIS DOCUMENT IS THE PROPERTY OF BHARAT HEAVY ELECTRICALS LIMITED. IT MUST NOT BE USED DIRECTLY OR INDIRECTLY IN ANY WAY DETERIMENTAL TO THE INTEREST OF THE COMPANY.

DRAWING No. 00106-23131-3

FIRST ANGLE PROJECTION

( ALL DIMENSIONS ARE IN mm )

FORM DG 38(B)



- EXISTING SUPPLIERS AND ITS MODEL NO. OF PRESSURE LIMIT VALVE ARE AS FOLLOWS:-
1. M/S BOSCH REXROTH INDIA LTD. TYPE DB20-14X/315-IN001: R983038098 DULY ASSEMBLED ON SUBPLATE G409/01 NG20-DBSR 3X; BRID-900435663
  2. M/S YUKEN INDIA LTD. TYPE BG-06-P-32 DULY ASSEMBLED ON SUBPLATE MODEL NO.BGM-06X-3080.

NOTE:- THIS DRG. MUST BE READ ALONG WITH PRODUCT STANDARD ST47027(PRESSURE LIMIT VALVE), ST47025(GENERAL PURCHASE SPECIFICATION OF VALVES) & ITS ADDENDUM.

Inventory No.	Sign & Date	Ref.Drawing No.
---------------	-------------	-----------------

GRADE OF UNTOL.DIM	
M/CG.- $\phi$ /M/ $\phi$ AA0230208	
WELDING- $\phi$ /B/ $\phi$ / $\phi$ AA0621104	
GAS CUTTING-T3'AA0621101	
REV	DATE
ALTERED	CHECKED

GMS No./C B O M	STATUS OF DRG U
AGREED DEPT	NAME
SIGN	DATE
REV	DATE
ALTERED	CHECKED

TYPE OF PRODUCT OR NAME OF CUSTOMER/PROJECT		STEAM TURBINE	
BHARAT HEAVY ELECTRICALS LTD. RANIPUR, HARDWAR		DRN	NAME
P.S.SHARMA		SIGN	DATE
S.K.GUPTA		NO. OF VAR	NO. OF ITEMS
REF. TO ASSY. DRG.		28.08.14	73 74
DEPT PED	SCALE	WEIGHT (KG)	ITEM No.
CODE 4066			75 77
TITLE : PRESSURE LIMIT VALVE		CARD CODE	REV.
		3-13137-90110	22 23 24
SHEET No. 01		No. OF SHEETS 01	SIZE A3