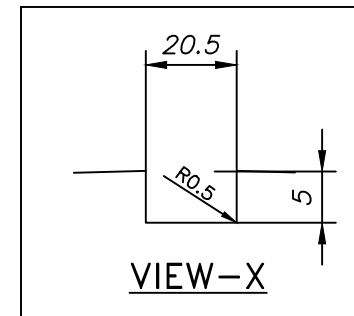
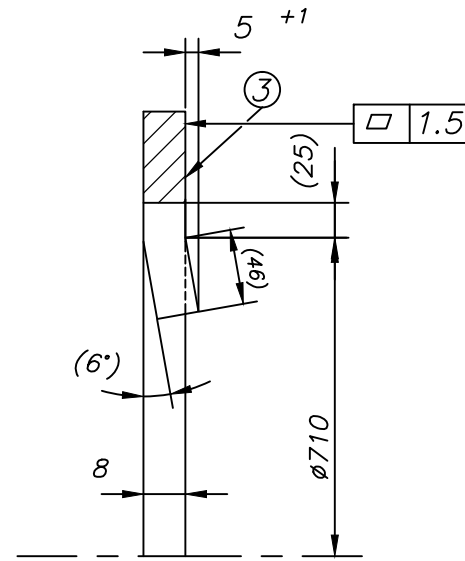
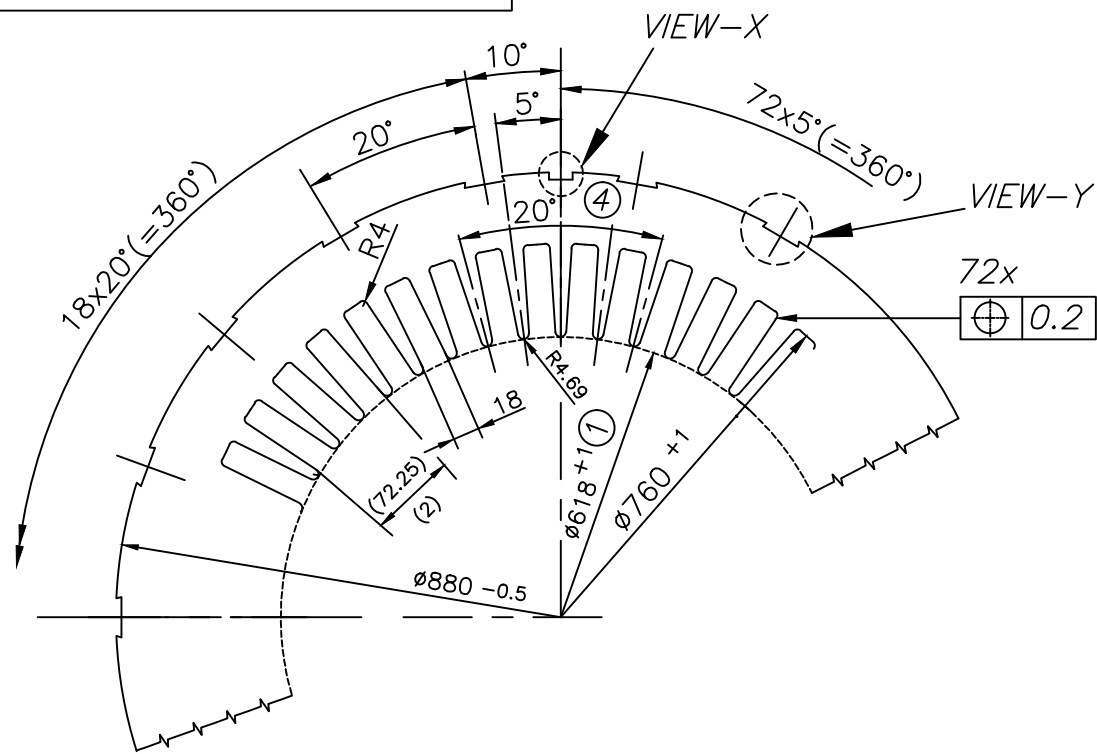


FIRST ANGLE PROJECTION

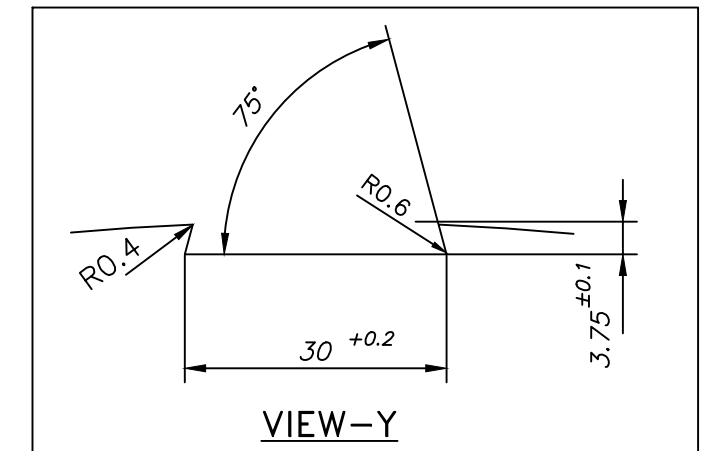
(ALL DIMENSIONS ARE IN mm)

DRG.NO. 34026242232

THE INFORMATION ON THIS DOCUMENT IS THE PROPERTY OF BHARAT HEAVY ELECTRICALS LIMITED. IT MUST NOT BE USED DIRECTLY OR INDIRECTLY IN ANY WAY DETRIMENTAL TO THE INTEREST OF THE COMPANY.



TOOL LIST					
IT.NO.	TOOL NO.	DESCRIPTION			
01	1622057	DISHING TOOL			



GAUGE LIST					
LIMIT	NOM.SIZE	SYM.	TOOL NO.	ITEM	TYPE
ø879.5/880	ø880		-	001	-
ø619/618	ø618		-	001	-

TECHNICAL REQUIREMENT:-

1. LASER CUT OR FLAME CUT ON CNC M/C. (1)
2. PLATE TO BE FLATTENED AFTER FLAME CUTTING AND FLATNESS TO BE WITHIN 1.5 mm AS SHOWN
3. REFERENCE DIMENSION ONLY. AS SHOWN (2)
4. AREA NOT TO BE DISHED. AS SHOWN (3)
5. SLOT ONLY AT THIS PLACE. AS SHOWN (4)
6. ALL SHARP EDGES TO BE REMOVED. ±0.1

01			001	END PLATE 8Tk.ø 615 1/Dxø880 0/D		AA1011808137	19.5				
59	64 65	75 78 79	25 27	29	58 59 60	77	29 31 34	45 55 56-57	58	65 72	
REMARKS				VAR. NO.	DESCRIPTION	SD.	DRAWING NO.	IT. NO.	MATL. CODE	UNIT WT.	
								32 VAR.	33 46 MATL. SPECN.	66 QTY.	71

ADDITIONAL INFORMATION
WO: 43013A410-11

STATUS OF DRAWING

DISTRIBUTION OF PRINTS
AME - 1 TEX (IMM) - 1
IMM - 3 FBM - 4

TYPE OF PRODUCT
OR

NAME OF CUSTOMER/PROJECT



BHARAT HEAVY ELECTRICALS LTD.
BHOPAL

H-COMPACT EDS AM45877

ILA4500-6

DRN	NAME	SIGN	DATE	NO.OF VAR.
YASMIN			06.06.13	
A.K.M			06.06.13	
M.K.M				

DEPT. AME	UNTOL.DIMS.GR.	SCALE	WEIGHT(K.G.)	REF. TO ASSY. DRG.	ITEM NO.	NO.OF ITEMS
CODE 404		NTS	13.6	24026240974	02	
TITLE				DRAWING NO.	REV.	
STATOR END PLATE				34026242232	00	

SHEET NO. 01 NO. OF SHEETS 01

H010534
REF. DRG. NO.
SIGN. & DATE
INVENTOYR NO.

REV.	DATE	ALTERED	REV.	DATE	ALTERED
		CHECKED			CHECKED
		APPROVED			APPROVED