

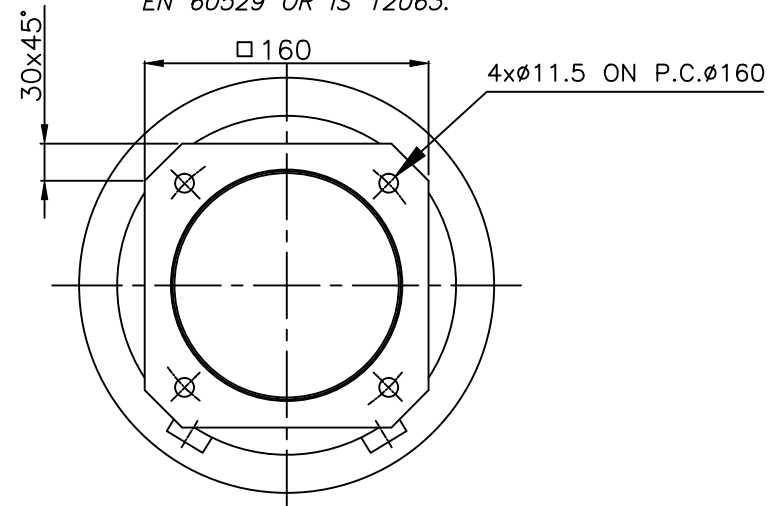
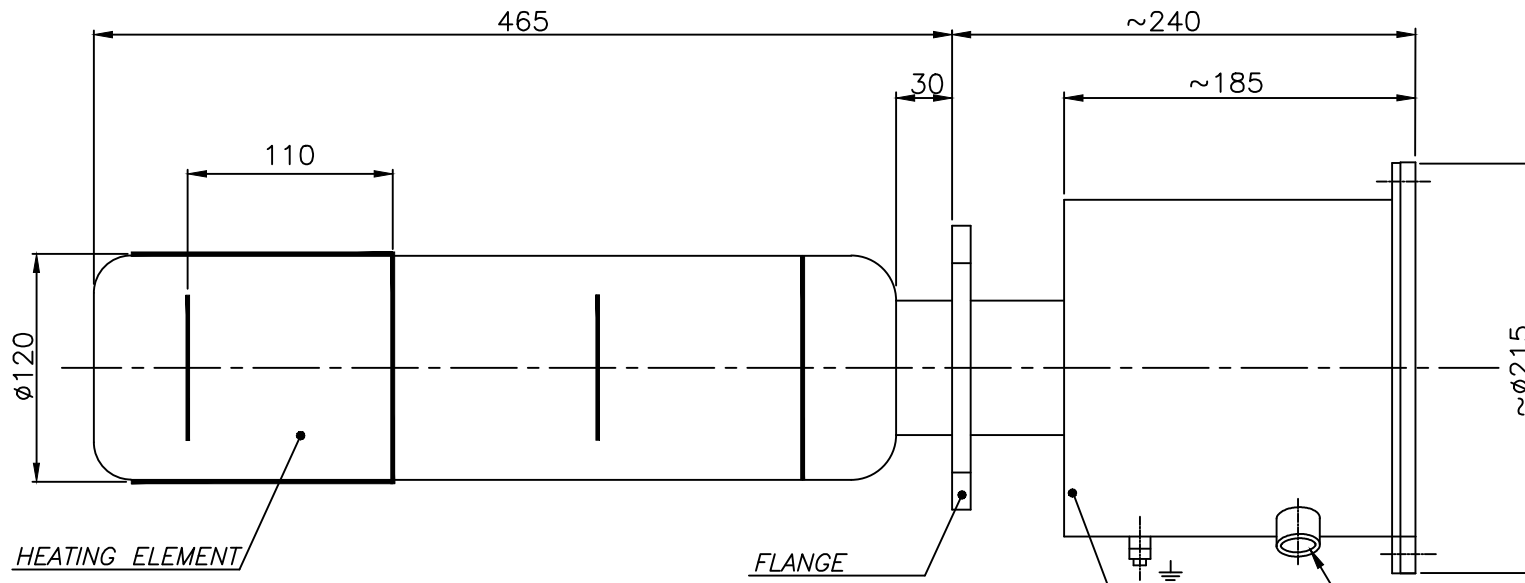
FIRST ANGLE PROJECTION

(ALL DIMENSIONS ARE IN mm)

DRG. NO. 3 403 56 40 003

NOTES:-

1. MOUNTING POSITION HORIZONTAL 0-15°, CONNECTION BOX DOWN, LEFT, RIGHT.
2. TYPE OF PROTECTION ACCORDING TO STANDARD IEC 60079-1 OR IS 2148-2004.
3. DEGREE OF PROTECTION ACCORDING TO STANDARD EN 60529 OR IS 12063.

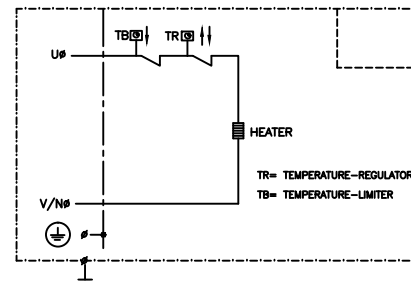


TECHNICAL DATA:- TO BE PROVIDED ON NAME PLATE

TYPE	(----- 1)	
HEATING CAPACITY	1.0 KW	
SPECIFIC SURFACE LOADING	0.38 W/cm ²	
SUPPLY VOLTAGE	POWER CONNECTION H	220-240 V~
	CONTROL CIRCUIT R	- V
RATED CURRENT	4.3 A	
TEMP.-LIMITER	T3	200°C 2)
TEMP.-REGULATOR	R150	0...150°C 2)
TYPE OF PROTECTION	EEx d IIC T3	
DEGREE OF PROTECTION	IP 65	
CERTIFICATE NO.	(----- 1)	
REMARKS	1) TO BE GIVEN BY SUPPLIER. 2) ADJUSTED TO HEATER SURFACE TEMP.	

FLAME PROOF DOUBLE COMPRESSURE CABLE GLAND - 3/4"

PRESSURE PROOF CASING EExd IIC GG-25/LM-6



TESTING REQUIREMENTS: FOLLOWING TESTS ARE TO BE CARRIED OUT

- A) ROUTINE(100%)
1. MEASUREMENT OF COLD RESISTANCE - 57Ω±5% (AT 20°C)
 2. MEASUREMENT OF INSULATION RESISTANCE - >10MΩ BY 500V MEGGER
 3. H.V.TEST @ 1.5Kv FOR 1 MINUTE.
 4. MEASUREMENT OF SURFACE TEMPERATURE - <200°C AT 1000W/240VAC
 5. OPERATION OF THERMOSTAT /TEMP REGULATOR.
 6. CHECKING OF ASSY DIMENSIONS AS PER DRG. SKETCH.
- B) TYPE (1 PIECE OF EACH SET)
1. ALL TESTS COVERED UNDER ROUTINE TESTS.
 2. REVIEW OF CIMFR /CCOE CERTIFICATES.
 3. REVIEW OF SUB-VENDOR TEST CERTIFICATES AS PER APPROVED QAP.

01		01	SPACE HEATER			BP9043035777													
VAR.00	REMARKS	VAR. NO.	ITEM NO.	DESCRIPTION	STD.	DRAWING NO.	IT.NO.	MATL. CODE	A	UNIT WT.	CS	ZONE							
CARD TYPE-3				CARD TYPE-1				CARD TYPE-2											

ADDITION INFORMATION
47082 A 275-11

TYPE OF PRODUCT OR STANDARD
NAME OF CUSTOMER/PROJECT

STATUS OF DRAWING

DISTRIBUTION OF PRINT

OC-1



BHARAT HEAVY ELECTRICALS LTD.
BHOPAL

DRN	NAME	SIGN	DATE	73 NO. OF VAR
DDG.	Sd/-	24.9.07		
MRS.	Sd/-	24.9.07		
NK/VA.	Sd/-	24.9.07		

REV	DATE	ALTERED	MBR	Sd/-	REV	DATE	ALTERED	BRP.	Sd/-
05	20.07.2011	CHECKED	MN	Sd/-	04	22.02.2011	CHECKED	MN	Sd/-
		APPROVED	VA	Sd/-			APPROVED	VA	Sd/-

ENCLOSURE MATERIAL MODIFIED.

TESTING REQUIREMENTS ADDED.

REV	DATE	ALTERED	MBR	Sd/-	REV	DATE	ALTERED	BRP.	Sd/-
03	08.01.2011	CHECKED	MN	Sd/-	02	09.03.2010	CHECKED	MN	Sd/-
		APPROVED	VA	Sd/-			APPROVED	VA	Sd/-

GLAND DETAILS ADDED.

STYLE NO. ADDED FOR ITEM 1.

TECHNICAL DATA TABLE UPDATED.

DEPT.	GRADE OF UNTOL. DIM. C/M/F	SCALE	WEIGHT (kg)	REF. TO ASSY. DRG.	ITEM NO.	75 NO. OF ITEMS
AME		NTS				
CODE	404					

TITLE	7 DRAWING NO.	22 REV.	23	24
SPACE HEATER TYPE-EEx d	3 403 56 40 003	05		
	SHEET NO. 01	NO. OF SHEET	01	

SIZE A3

THE INFORMATION ON THIS DOCUMENT IS THE PROPERTY OF BHARAT HEAVY ELECTRICALS LIMITED. IT MUST NOT BE USED DIRECTLY OR INDIRECTLY IN ANY WAY DETRIMENTAL TO THE INTEREST OF THE COMPANY.

ELMESS 09-185-30 REF. DRG. NO.

SIGN. & DATE

INVENTORY NO.

SPACERHEATER/003