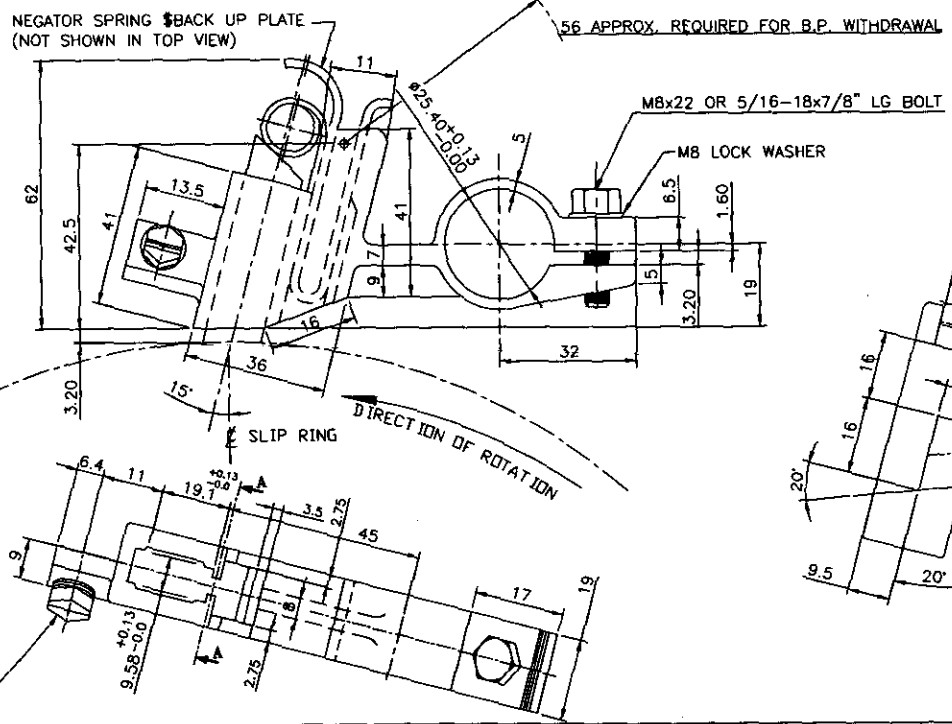
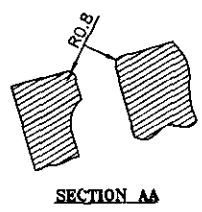


THE INFORMATION ON THIS DOCUMENT IS THE PROPERTY OF BHARAT HEAVY ELECTRICALS LIMITED. IT MUST NOT BE USED DIRECTLY OR INDIRECTLY TO THE INTEREST OF THE COMPANY.

FIRST ANGLE PROJECTION

(ALL DIMENSIONS ARE IN mm)

100 92 02 037 3 'ON '980



#10-32x1/2" LG. HEX. HD. SLOTTED SCREW WITH CAPTIVE LOCK WASHER AND PLAIN WASHER

VAR. NO.	REMARKS	VAR. NO.	ITEM NO.	DESCRIPTION	STD.	DRAWING NO.	IT. NO.	MATL. CODE	A	C	UNIT	UNIT WT.	QTY.	U	ZONE
			001	BRUSH HOLDER								0.30			

NOTE:-

1. THIS BRUSH HOLDER IS AS PER PART NO.: 14302-10-17 OF M/S TRANSTECH INC. OR BRUSH HOLDER BODY AS PER IS:1264,1981 GR. DCB-1/DCB-2 & SPRING AS PER AISI 301.
2. SPRING FORCE 1.5±0.15 LBS. OR 0.68±0.07 KG.

ADDITIONAL INFORMATION
SIM DRG. NO. 8413188

STATUS OF DRAWING

DISTRIBUTION OF PRINTS

TAM - 3 TME - 1

TNX - 1

TRACTION ALTERNATOR
TA9901AZ

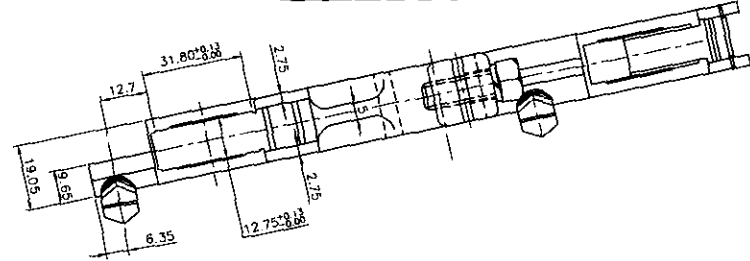
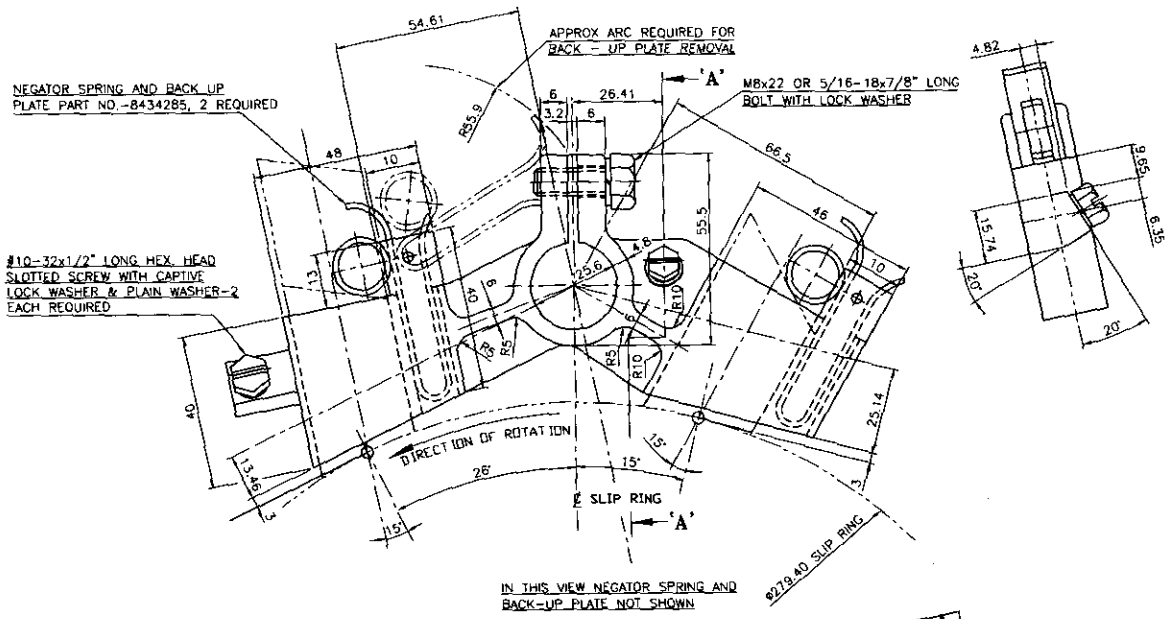
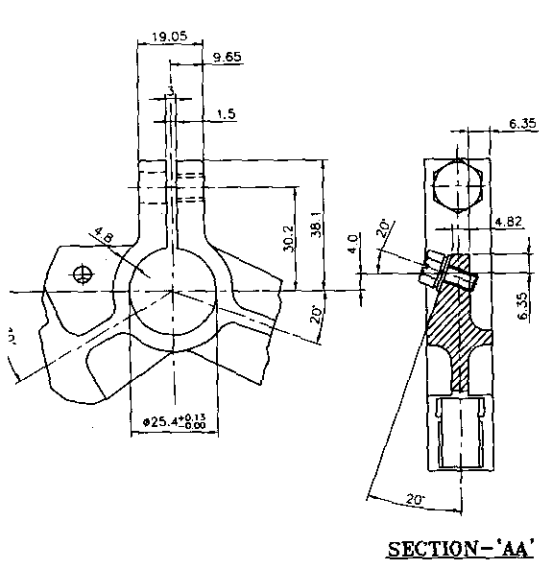
भारत हेवी इलेक्ट्रिकल्स लिमिटेड	विकास	डिजाइन	ड्राइंग	ड्राइंग	ड्राइंग
भोपाल	S.G.	-sd-	6.07.02	00	
भारत हेवी इलेक्ट्रिकल्स लिमिटेड	D.K.	-sd-	6.07.02		
भोपाल	M.B.	-sd-	6.07.02		

डिजाइन	TME	डिजाइन	डिजाइन	डिजाइन	डिजाइन
19.8.03	APPROVED	-sd-	19.8.03	APPROVED	-sd-
DRG. UPDATED.					

BRUSH HOLDER

3 430 20 76 001

REV.	DATE	ALTERED	REV.	DATE	ALTERED	REV.	DATE	ALTERED	REV.	DATE	ALTERED	REV.	DATE	ALTERED
03	11.07.11	APPROVED	02	21.9.04	APPROVED	01	19.8.03	APPROVED						
		NOTE-1 MODIFIED & IN TITLE BLOCK WEIGHT ADDED.			NOTE-2 WAS NOT ON.			DRG. UPDATED.						



- NOTES:-
- 1: SPRING FORCE - 1.5±0.15 Kgs.
 - 2: THIS BRUSH HOLDER IS AS PER PART NO. 14308-10-06 OF M/S TRANSTECH INC. OR BRUSH HOLDER BODY AS PER IS:1264,1981 GR. DCB-1/DCB-2 & SPRING AS PER AISI 301.

001		001	BRUSH HOLDER ASM.								KG.	0.450	
VAR. NO.	REMARKS	VAR. NO.	ITEM NO.	DESCRIPTION	STD.	DRAWING NO.	IT. NO.	MATL. CODE	UNIT	UNIT WT.	QTY.	ZONE	

ADDITIONAL INFORMATION
SIM DRG. NO. 9577092

STATUS OF DRAWING

DISTRIBUTION OF PRINTS
TAM - 4
TNX - 1 TME - 1

TRACTION ALTERNATOR
TA8901AZ

TYPE OF PRODUCT OR NAME OF CUSTOMER/PROJECT: BHARAT HEAVY ELECTRICALS LTD. BHOPAL

DRN.	NAME	SIGN.	DATE	NO. OF VAR.
	S.K.	-sd-	06.07.02	01
	D.K.	-sd-	06.07.02	
	M.B.	-sd-	06.07.02	

REV.	DATE	ALTERED	CHECKED	APPROVED	DEPT.	TIME	UNTL.	DIMS.	GR.	SCALE	WEIGHT (KG)	REF. TO ASSY. DRG.	ITEM NO.	NO. OF ITEM
01	19.8.03	APPROVED	-sd-	-sd-	EDDE405		TM20079	GR 'M'		NTS	0.450	0 430 10 76 001	017	001

NOTE-2 ADDED. WT. FOR ITEM 001 ADDED.

ORG. UPDATED.

BRUSH HOLDER ASM

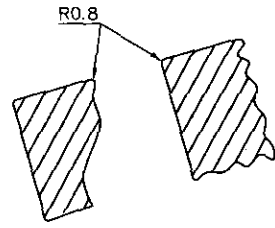
DRAWING NO. **2 430 20 76 001**

SHT. NO. 01 NO. OF SHT. 01

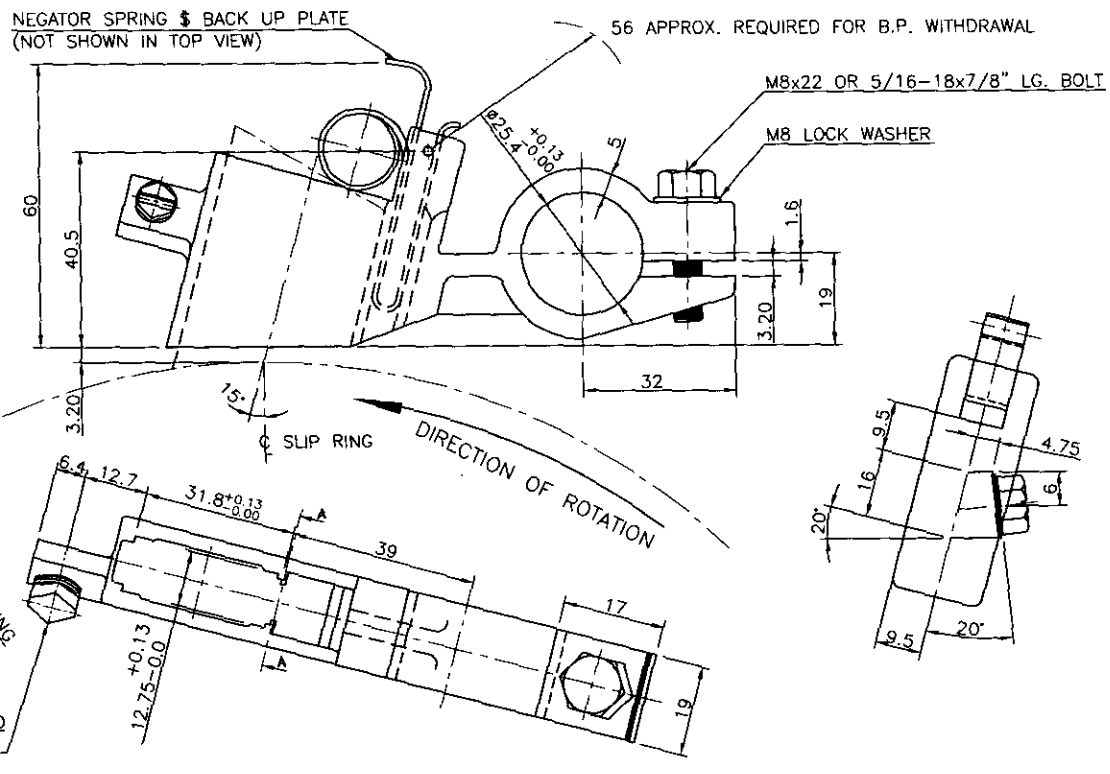
REV.	DATE	ALTERED	CHECKED	APPROVED	DEPT.	TIME	UNTL.	DIMS.	GR.	SCALE	WEIGHT (KG)	REF. TO ASSY. DRG.	ITEM NO.	NO. OF ITEM
03	27.2.13	APPROVED	-sd-	-sd-										

IN BOM, REF. DRG. NO. 04301076001 & CORRESPONDING IT. NO. 017 ADDED.

3430207600
DRG. NO.



SECTION-'AA'



001 BRUSH HOLDER										0.30			
VAR 00	REMARKS	VAR NO.	ITEM NO.	DESCRIPTION	STD.	DRAWING NO.	MATL CODE	MATL. SPCN.	UNIT	UNIT WT.	QTY.	CS	ZONE

NOTES:-

- THIS BRUSH HOLDER IS AS PER PART NO. 14302-10-21 OF M/S TRANSTECH INC. OR BRUSH HOLDER BODY AS PER IS:1264,1981 GR. DCB-1/DCB-2 & SPRING AS PER AISI 301.
- SPRING FORCE 3.3 LBS OR 1.5KG.±0.15KG.

ADDITION INFORMATION SIMILAR DRG.NO. 8413189			TYPE OF PRODUCT OR NAME OF CUSTOMER/PROJECT			TRACTION ALTERNATOR TA9901AZ																									
STATUS OF DRAWING			DISTRIBUTION OF PRINT			BPHARAT HEAVY ELECTRICALS LTD. BHOPAL			<table border="1"> <tr> <th>DRN</th> <th>NAME</th> <th>SIGN</th> <th>DATE</th> <th>NO. OF VAR</th> </tr> <tr> <td>SG</td> <td></td> <td>-sd-</td> <td>04.09.02</td> <td></td> </tr> <tr> <td>DK</td> <td></td> <td>-sd-</td> <td>04.09.02</td> <td></td> </tr> <tr> <td>MB</td> <td></td> <td>-sd-</td> <td>04.09.02</td> <td></td> </tr> </table>			DRN	NAME	SIGN	DATE	NO. OF VAR	SG		-sd-	04.09.02		DK		-sd-	04.09.02		MB		-sd-	04.09.02	
DRN	NAME	SIGN	DATE	NO. OF VAR																											
SG		-sd-	04.09.02																												
DK		-sd-	04.09.02																												
MB		-sd-	04.09.02																												
REV 03	DATE 23.2.12	ALTERED -sd- CHECKED -sd- APPROVED -sd-	REV 02	DATE 11.7.11	ALTERED -sd- CHECKED -sd- APPROVED -sd-	REV 01	DATE 08.6.09	ALTERED -sd- CHECKED -sd- APPROVED -sd-	DEPT TME	GRADE OF UNTOL DM. C/M/F TM 20079 GR-M	SCALE NTS	WEIGHT (kg) 0.30	REF. TO ASSY. DRG. 0 430 10 76 001	ITEM NO. 067	NO. OF ITEMS 001																
IN NOTE-2, ±0.15KG. WAS NOT ON.			NOTE-1 MODIFIED & IN TITLE BLOCK WEIGHT ADDED.			DRG. UPDATED & DIGITIZED.			TITLE BRUSH HOLDER			DRAWING NO. 34302076004																			
									SHEET NO. 01			NO. OF SHEET 01																			