

THE INFORMATION ON THIS DOCUMENT IS THE PROPERTY OF BHARAT HEAVY ELECTRICALS LIMITED IT MUST NOT BE USED DIRECTLY OR INDIRECTLY IN ANY WAY DETRIMENTAL TO THE INTEREST OF THE COMPANY

FIRST ANGLE PROJECTION

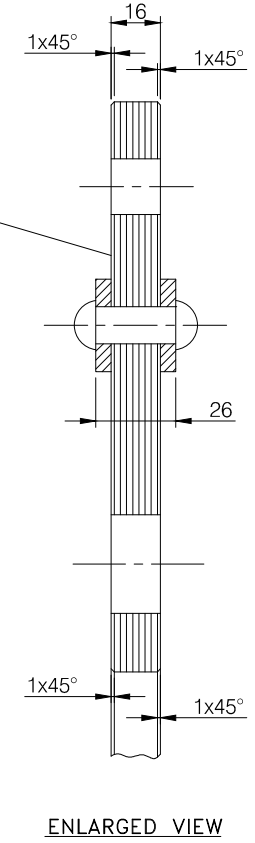
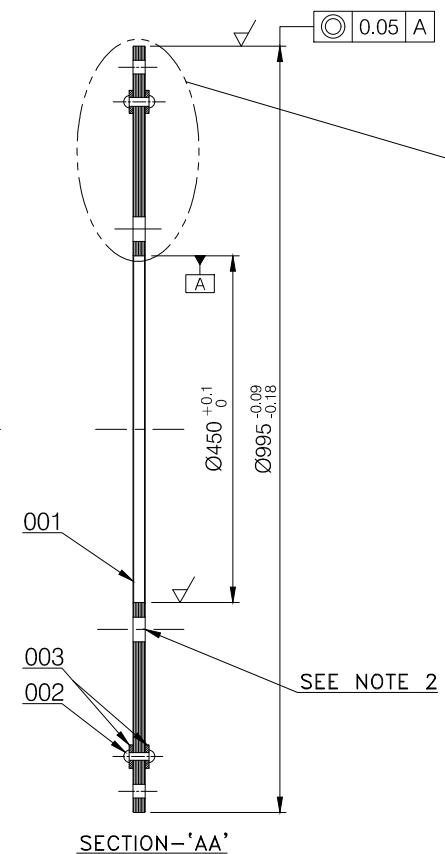
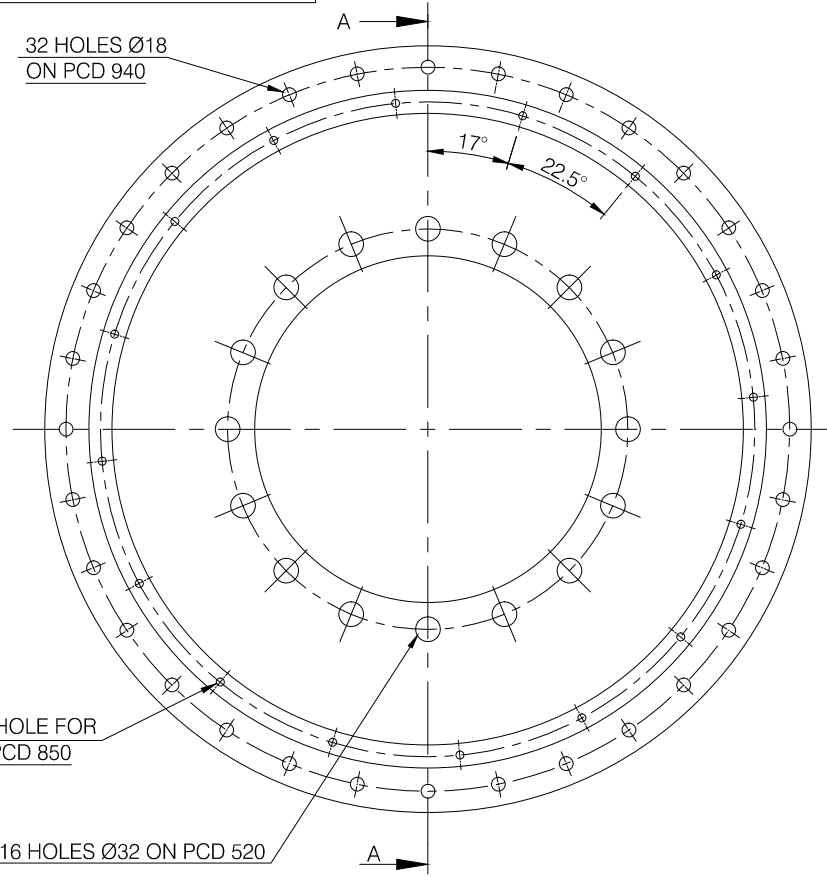
(ALL DIMENSIONS ARE IN mm)

DRG. NO. 3 430 45 79 001

32 HOLES Ø18 ON PCD 940

16 NOS. Ø10.8 HOLE FOR RIVETING ON PCD 850

16 HOLES Ø32 ON PCD 520



**NOTES:-**

1. IT. 001 TO BE THOROUGHLY DEBURRED.
2. HOLD THE FLANGE COUPLING ASSY. BY M30 BOLT & NUT AT THE TIME OF MACHINING TO ACHIEVE THE MACHINED DIMENSIONS.

002		003	PLATE	34304579007			KG	4.22																
016		002	RIVET SNAP Ø10 X 35			AA7174014	KG	0.2																
016	SEE NOTE 1 RAW WT.-7.85KG	001	COUPLING LAMINATION 1.0TK. X1000X1000			DIN1623 Gr.-ST52.3	KG	2.35																
59	64	65	75	78	79	25	27	29	58	59	60	77	29	31	34	MATL. CODE	45	55	56	57	58	UNIT WT.	65	72
VAR00	REMARKS		VAR. NO.	ITEM NO.	DESCRIPTION			STD	DRAWING NO.			IT.ND.	32	33	46	MATL. SPCN.	54	A I C	UNIT	68	QTY.	71	CS	ZONE
28 → CARD TYPE-3				28 → CARD TYPE-1				28 → CARD TYPE-2																

INVENTORY NO. SIGN. & DATE REF. DRG. NO.

<b>ADDITIONAL INFORMATION</b> STATUS OF DRAWING DISTRIBUTION OF PRINTS TME -1      TNX -1 TAM -4			उत्पाद का प्रकार या ग्राहक/परियोजना का नाम <b>TA9903AZ</b> 2MW, 11 KV 750 RPM DIESEL ALTERNATOR (M/s MPEEIA, UNION OF COMOROS)				
भारत हेवी इलेक्ट्रिकल्स लिमिटेड भोपाल BHARAT HEAVY ELECTRICALS LTD. BHOPAL		नाम/ NAME A.JHARIA		हस्ता/ SIGN 	दिनांक/ DATE 14.03.16	वे.रि. की संख्या NO. OF VAR -	
विभाग/ DEPT TME	अन. टोल. नाप की श्रेणी UNTO.L.DIMS. GR. AA0230208 'M'	अनुपात SCALE NTS	भार कि.ग्रा. WEIGHT (K.G.) 49.24	जसे. ड्राईंग का संदर्भ REF. TO ASSY. DRG. 14301079001	मद क. ITEM NO. 009	मद. संख्या NO. OF ITEM 003	
कोड CODE 405			शीर्षक/ TITLE <b>FLEXIBLE COUPLING</b>		आरेख नं./ DRAWING NO. <b>3 430 45 79 001</b>		पुन./REV 01
TOTAL TK. 16 WAS 32. IN BOM IT.003 ADDED & BOM UPDATED. NOTE 2 MODIFIED, 3 & 4 DELETED.				पृष्ठ नं./SHT.No. 01	पृष्ठों की संख्या/ NO. OF SHT. 01		