

FIRST ANGLE PROJECTION

(ALL DIMENSIONS ARE IN mm)

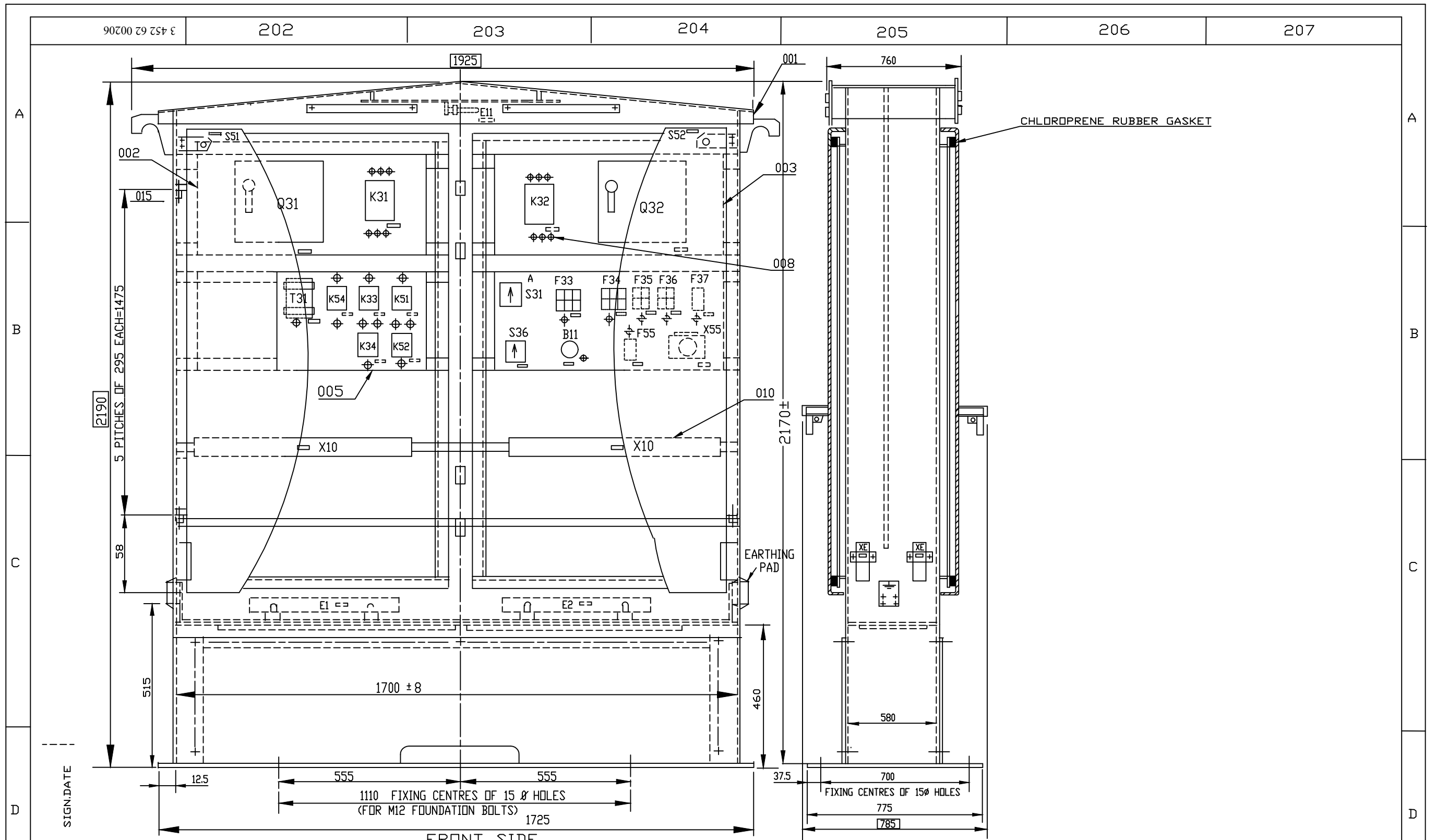
DRG. NO. 34526200206 102 103 104 105 106 107

THE INFORMATION ON THIS DOCUMENT IS THE PROPERTY OF BHARAT HEAVY ELECTRICALS LTD. IT MUST NOT BE USED DIRECTLY OR INDIRECTLY IN ANY WAY DETRIMENTAL TO THE INTEREST OF THE COMPANY.

SIGN. DATE REF. DRG. NO.

SHEET NO.	DESCRIPTION	REVISION			
01	CONTENTS & TITLE BLOCK	00	01	02	
02	GEN. ARRANGEMENT OF COMMON KIOSK (FLOOR MOUNTED) FRONT SIDE	00	01	-	
03	GEN. ARRANGEMENT OF COMMON KIOSK (FLOOR MOUNTED) BACK SIDE	00	01	-	
04	BOM FOR GEN. ARRANGEMENT OF COMMON KIOSK	00	01	02	

INVENTORY NO.	REV	DATE	ALT	SD/-	NO. OF TRANSFORMER	4	ADDITIONAL INFORMATION	CONTRACT DOC. NO. BP-DG-330-301-021						
	02	06.02.12	CKD	SD/-	PROJECT	1X600 MW KAKATIYA TPS ST-II.	W.D. 68109-A-512-01	DRN.	NAME	SIGN	DATE			
			APPD	SD/-	LDA NO.	TM 0816/CP/711/KTPP-II/D.D. 507/2008 DT. 13.10.2008	भारत हेवी इलेक्ट्रिकल्स लिमिटेड भोपाल BHARAT HEAVY ELECTRICALS LTD. BHPAL	CHD.	RAJIV.	-sd-	23.08.11			
					TYPE OF PRODUCT	240 MVA, 21/400/√3 KV, 1PH, 0NAN/0NAF/0FAF GEN. TRANSF.	STATUS OF DRAWING 'PR'	DEPT	CODE	WEIGHT(kg)	SCALE	CHD.	RK PATEL	-sd-
				NAME OF CUSTOMER	M/S. ANDHRA PRADESH POWER GENERATION CORPORATION LTD.	DISTRIBUTION OF PRINTS	TRE	406	-	NTS	APPD.	SK/URS	-sd-	14.09.11
						TITLE	GEN. ARRANGEMENT OF COMMON KIOSK FLOOR MOUNTED				DRG. NO.	34526200206	REV.	02
											SHEET	01	OF	04



REV	DATE	ALTERED	REV	DATE	ALTERED	DRN	NAME	SIGN	DATE		BHARAT HEAVY ELECTRICALS LTD. BHOPAL		CARD CODE	
		CHECKED	01	17.11.11	CHECKED	CHD	RK PATEL	-sd-	09.09.11				N.O.F SHEETS	04
HEIGHT & WIDTH OF COMMON KIOSK INCREASED.						APPD	SK/URS	-sd-	14.09.11		TITLE	GEN. ARRANGEMENT OF COMMON KIOSK (FLOOR MOUNTED)		SHEETS NO.
DISTRIBUTION OF PRINT						TRE	TRM	TRX	DEPT.	CODE	W.O.68109-A-512-01		DRG. NO.3 452 62 00206	
						TRE			TRE	406	W.O.68109-A-512-01		REV. 01	

FIRST ANGLE PROJECTION

(ALL DIMENSIONS ARE IN MM)

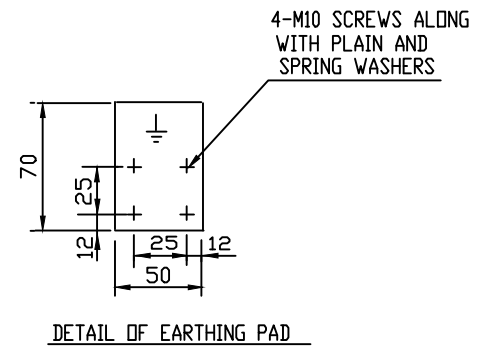
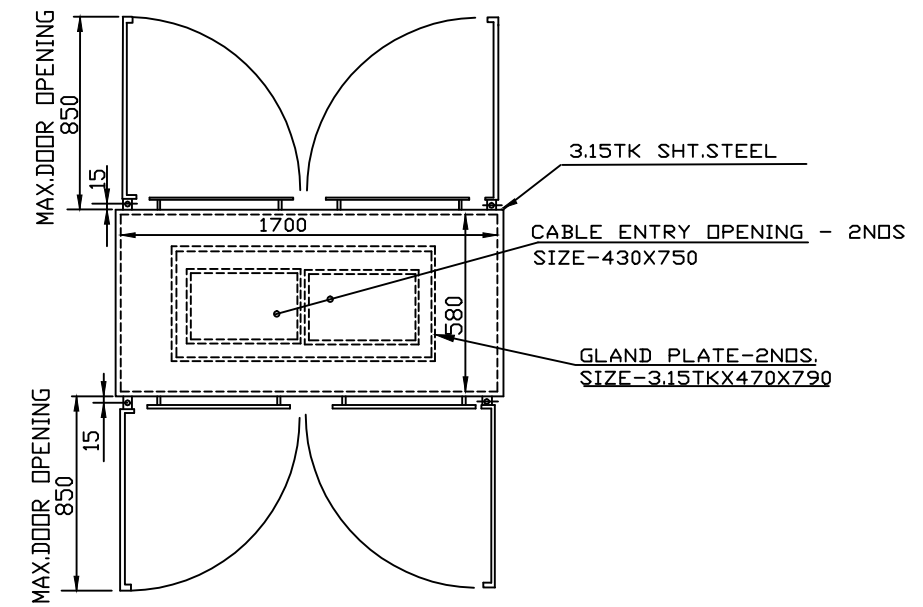
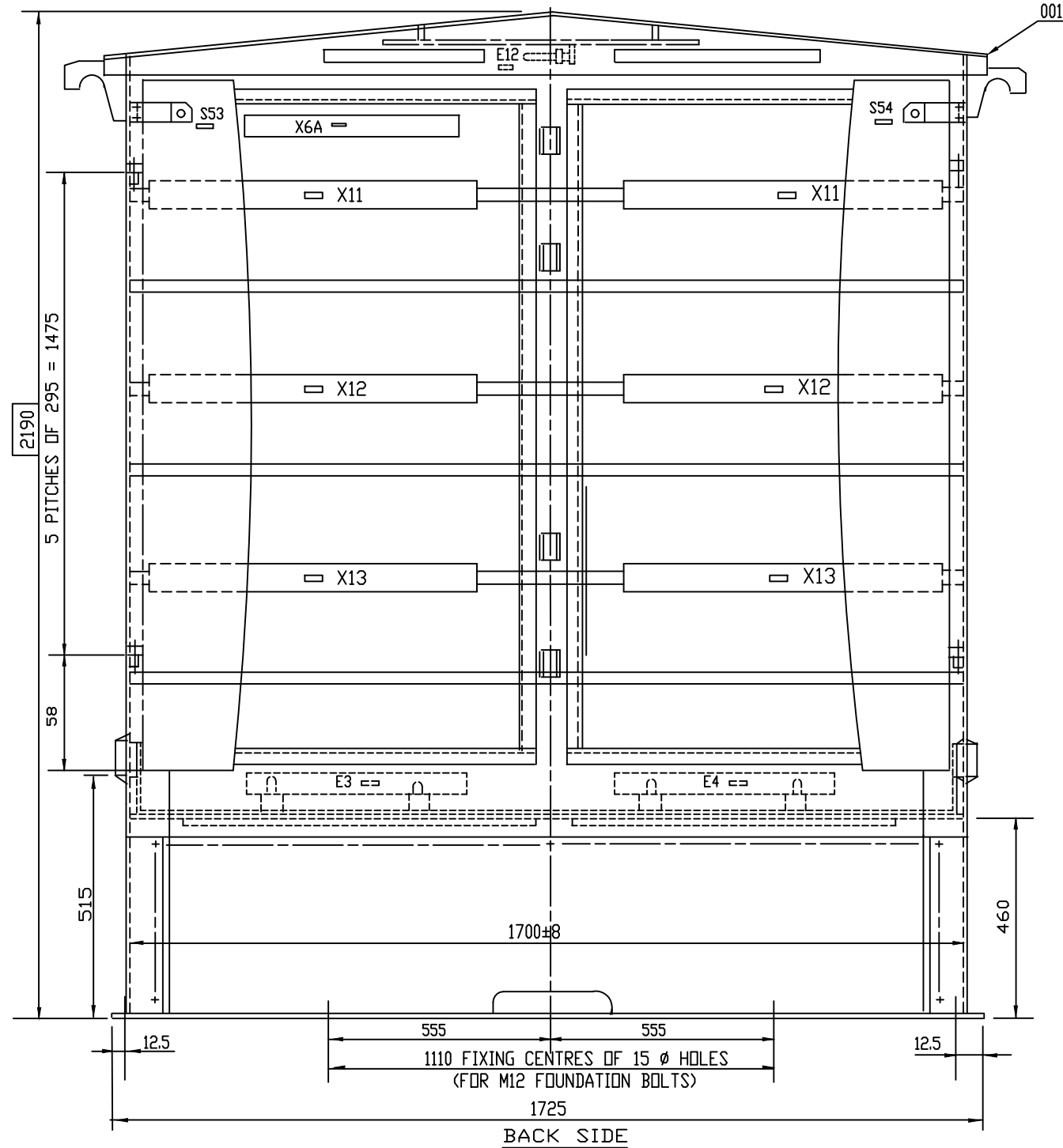
DRG. NO. 34526200206

THE INFORMATION ON THIS DOCUMENT IS THE PROPERTY OF BHARAT HEAVY ELECTRICALS LTD. IT MUST NOT BE USED DIRECTLY OR INDIRECTLY IN ANY WAY DETRIMENTAL TO THE INTEREST OF THE COMPANY.

REF.DRG.NO.
REF.DRG.NO.

SIGN. DATE

INVENTORY NO.



REV	DATE	ALTERED	REV	DATE	ALTERED
		CHECKED	01	17.11.11	CHECKED
HEIGHT & WIDTH OF COMMON KIOSK INCREASED.					

DRN	NAME	SIGN	DATE
	P. KUMARI	-sd-	15-5-10
CHD	PV SHINDE	-sd-	09.09.11
APPD	AKE/URS/PM	-sd-	14.09.11

DISTRIBUTION OF PRINT		
TRE	TRM	TRX
1	3	1

		BHARAT HEAVY ELECTRICALS LTD. BHOPAL		CARD CODE	
TITLE		GEN. ARRANGEMENT OF COMMON KIOSK (FLOOR MOUNTED)		NO. OF SHEETS: 04 SHEETS NO.: 03	
DEPT. CODE		TRE 406		W.O.68109-A-512-01	
				DRG. NO.3 452 62 00206 REV. 01	

90Z00 62 2574 3

402

403

404

405

406

407


KEY TO DESIGNATION PLATE							
REF	INSCRIPTION.						QTY
	A1	A2	B1	B2	B3	B4	
A	SUPPLY SELECTOR (S31A)	-	SUPPLY-A PREFERED	SUPPLY-B PREFERED	SUPPLY-A PREFERED	SUPPLY-B PREFERED	1

REF.	INSCRIPTION	1	0	2	QTY
S36	HEATER CONTROL (S36)	AUTO	OFF	MANUAL	1

NOTES-

- FOR GENERAL INSTRUCTIONS & NOTES TO SHOPS REFER DRG. TR100791 (SH.1 TO 5).
- COOLER CONTROL CABINET IS TO FINISH-
 - (a) EXTERIOR - LIGHT GREY TO SHADE 631 OF IS:5.
 - (b) INTERIOR -FULL GLOSSY WHITE.
- THE CABINET SEALING SYSTEM SHALL BE SUITABLE FOR DEGREE OF PROTECTION IP:55 TO IS:13947 (PART-1)
- FOR IDENTIFICATION OF ITEMS REFER DIAGRAM OF COOLER CONTROL GEAR DRG. NO. 34606200129 (SHT.01 TO 019).
- THE SHEET STEEL USED SHALL BE 3.15 mm THICK.
- WEIGHT OF COOLER CONTROL CABINET(FLOOR MTD.) - 600 KG.
- ALL DIMENSSIONS SHOWN THUS ARE FOR OVERALL SHIPPING DIMENSIONS.
- PAINT THICKNESS SHALL BE MINIMUM 80 MICRONS.

001		012	SET OF DEVICES AS PER COMMON SCHEMATIC	3452620205 (SHT.01 TO 05)				
AS REQD.		011	WIRING MATERIAL	24996200006				
035		010	LABELS FOR DEVICES	34996200121				
	AS PER DRG. 34526200205	009	TERMINAL BLOCK ASSY.	G 6020247	24	SC 777 02 01		
001		008	RUBBER GROMMET Ø 12.5 X 3TYPE-2			SC 777 02 01		
025		007	RUBBER GROMMET Ø 19X 3TYPE-2					
001	ANODISED ALUMINIUM	006	DESIGNATION PLATES	34996200111				
001		005	CONTACTOR, TIMMER & AUX. TRFR. PANEL	3.15TK 300 X 530				2.0
001	HINGED	004	SWITCH & CKT. BREAKER PANEL	3.15TK X300 X 830		AA1011713136 AA10113		4.6
001		003	FUSE SWITCH UNIT & CONTACTOR PANEL	3.15TK X 300X830		AA1011713136 AA10113		5.42
001		002	FUSE SWITCH UNIT & CONTACTOR PANEL	3.15TK X 300X830		AA1011713136 AA10113		5.42
001		001	COMPLETE HOUSING	14996200324				367
VAR00	REMARKS	VAR	IT. NO.	DESCRIPTION	DRAWING NO.	IT. NO.	MATL.CODE	A UNIT
						VAR	MATL.SPEC.	C T
								UNIT WT.
								QTY.

REV	DATE	ALTERED	REV	DATE	ALTERED	DRN	NAME	SIGN	DATE		BHARAT HEAVY ELECTRICALS LTD. BHOPAL			CARD CODE		
02	06.02.01	Checked <i>[Signature]</i>	01	17.11.11	SD/-	RAJIV	-Sd-	23.08.11	CHD		RK PATEL	-Sd-	09.09.11	NO. OF SHEETS	04	
NOTE 8 ADDED		BOM REVISED AS PER CHANGES IN SHT. NO. 02 & 03.		APPD	SK/URS	-Sd-		14.09.11	DISTRIBUTION OF PRINT			DEPT.	CODE	TITLE	NO. OF SHEETS	04
TRE	TRM	TRX				TRE	406	W.O.68109-A-512-01			DRG. NO.3 452 62 00206		REV. 02			
1	3	1														