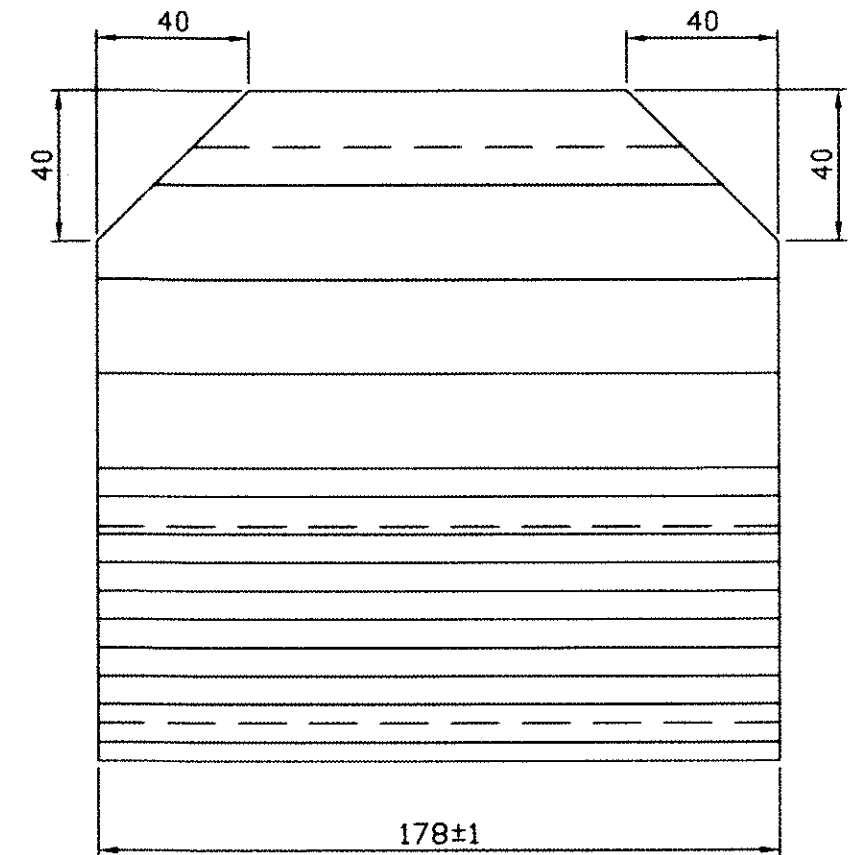
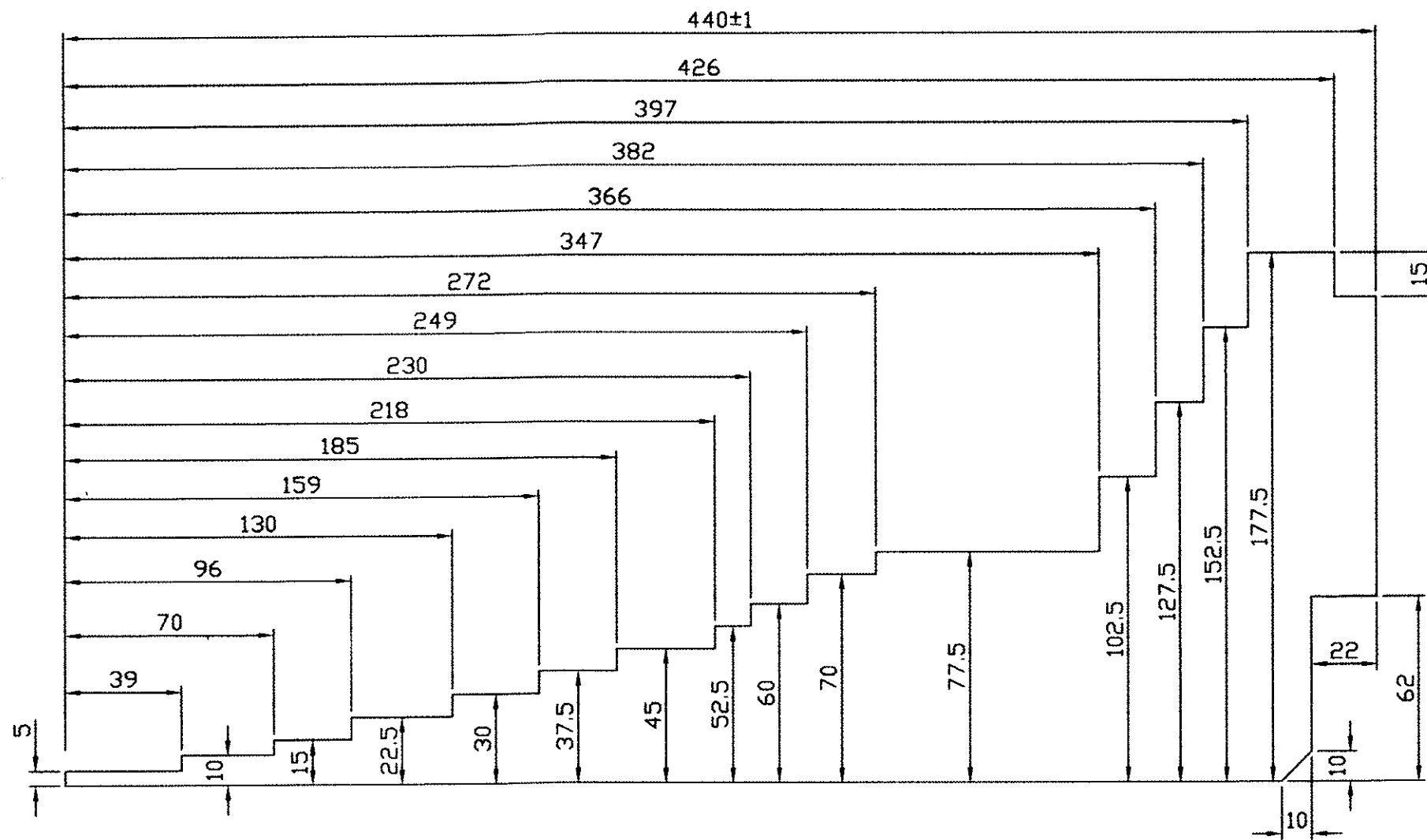


DRG. NO. 3 452 70 00150

THE INFORMATION ON THIS DOCUMENT IS THE PROPERTY OF BHARAT HEAVY ELECTRICALS LIMITED. IT MUST NOT BE USED DIRECTLY OR INDIRECTLY IN ANY WAY DETRIMENTAL TO THE INTEREST OF THE COMPANY.



NOTES:-

- 01. THE ITEM CAN BE MADE OUT OF TWO THICKNESS BY SUITABLE RIVETTING. LEAVE RIVET: 5mm INSIDE
- 03. FOR BOM REFER DELINK BOM NO. 3 452 70 00150.

ADDITIONAL INFORMATION W.O.NO.68127-P-512-01		उत्पाद का प्रकार या ग्राहक /परियोजना का नाम TYPE OF PRODUCT OR NAME OF CUSTOMER/PROJECT 260MVA,21/420KV/√3, 1 PH. GEN.TRANSF. M/S NTPC, BARH-II TPS.	
STATUS OF DRAWING U		भारत हेवी इलेक्ट्रिकल्स लिमिटेड भोपाल BHARAT HEAVY ELECTRICALS LTD. BHOPAL	
DISTRIBUTION OF PRINTS TR-1 TRX-1 TRM-2 QC(TCB)-1		कन्या DRN S.K.H. 12.11.09 चेक L.K. 28/11/09 स्वीकृत APPT A.K.P. 8/12/09	
REV	DATE	ALTERED CHECKED APPROVED	भार. वि. म. ल. DEPT. TR कोड 406 भार. वि. म. ल. WEIGHT(kg) जनुपात SCALE भार. वि. म. ल. REF TO ASSY DRG 0 452 70 00017
ZONE			ड्राइंग /TITLE MAIN LEG PACKING ड्रा. नं. 3 452 70 00150 00 पृष्ठ सं. SHT NO. 1 / पृष्ठों की सं. NO. OF SHT. 1