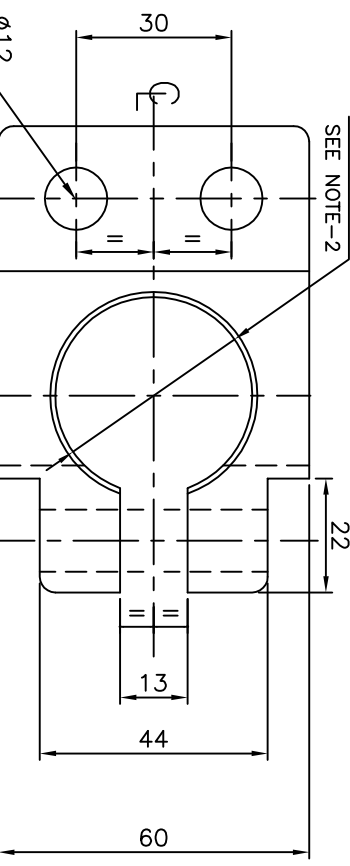
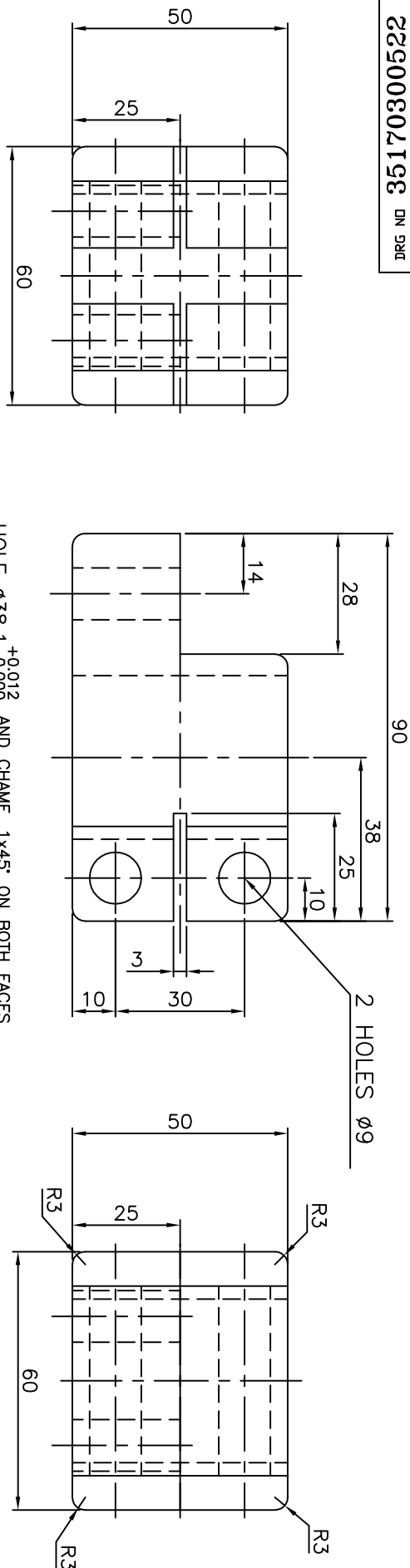


22500302152 DN 5RD



THE INFORMATION ON THIS DOCUMENT IS THE PROPERTY OF BHARAT HEAVY ELECTRICALS LIMITED. IT MUST NOT BE USED DIRECTLY OR INDIRECTLY IN ANY WAY DETRIMENTAL TO THE INTEREST OF THE COMPANY.

NOTE:-
 1. ALL UNSPECIFIED CORNERS ARE TO BE ROUND OFF.
 2. REAMED HOLE AND USE PLUG GAUGE FOR CHECKING

FINISH:-
 SILVER PLATING FOR COPPER AS PER SPEC. AA0673613 (0.013 TK. MIN.)

VAR 00	REMARKS	VAR NO.	ITEM NO.	DESCRIPTION	QTY	DRAWING NO.	IT.ND.	MATERIAL CODE	UNIT WT.
			001	CHROMIUM COPPER DIE CASTING	2.4			SG 12713	001

ADDITIONAL INFORMATION

STATUS OF DRAWING B

DISTRIBUTION OF PRINTS

SWE	SWM	TCX
1	3	1

TYPE OF PRODUCT OR NAME OF CUST/PROJ

BHARAT HEAVY ELECTRICALS LIMITED BHPAL

GM-36

REV	DATE	ALTD	GP	DRN	NAME	SIGN	DATE	ND
01	06.08.10	CKD	RRR	GP	GP		28.11.09	DF
		APPD	HRP	SSA	SSA		28.11.09	VAR
				HRP	HRP		28.11.09	

REV 01

DATE 06.08.10

ALTD APPD

GP RRR HRP

DIMN. 22 & 25 ADDED

DEPT SWE

UN. TOL. DIMGR M

AA 0230208

SCALE 1:1

WEIGHT (KGS)

REF TO ASSY

DRG NO 35170300522

SHT.ND. 01

ND OF SHT. 01

DCA NO.-29910

TITLE

TERMINAL FOR INTERRUPTER