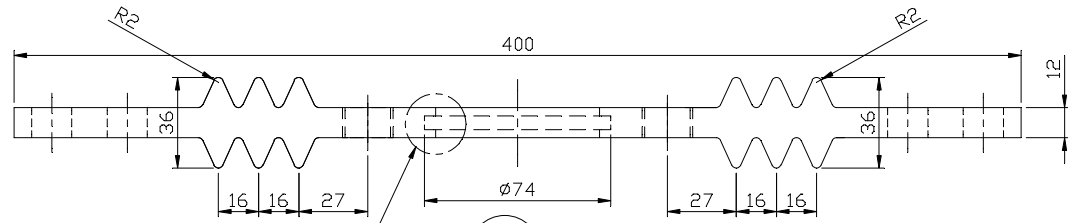
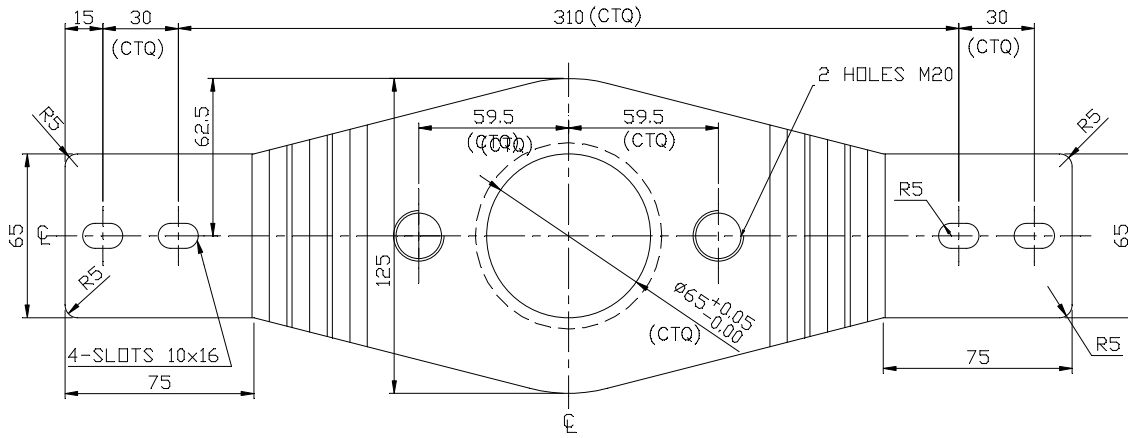


THE INFORMATION ON THIS DOCUMENT IS THE PROPERTY OF BHARAT HEAVY ELECTRICALS LIMITED IT MUST NOT BE USED DIRECTLY OR INDIRECTLY IN ANY WAY DETRIMENTAL TO THE INTEREST OF THE COMPANY

FIRST ANGLE PROJECTION

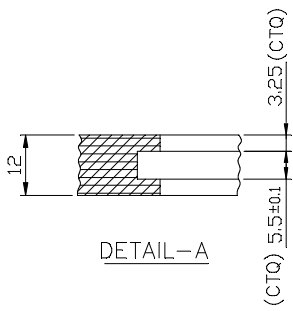
(ALL DIMENSIONS ARE IN mm)

DRG. NO. 35171000502



SEE DETAIL-A

001



NOTE :-

- INSULATOR SHOULD BE TYPE TESTED FOR ONE MINUTE POWER FREQUENCY WITH STAND VOLTAGE OF 75 KV WITH H.V. APPLIED TO Ø64 PIN PLACED INSIDE Ø65 HOLE AND EARTH CONNECTED TO NEAREST ELLIPTICAL SLOT. COMPLETE ASSEMBLY TO BE KEPT INSIDE INSULATING MEDIA TO AVOID EXTERNAL FLASHOVER DURING TESTING.
- INSULATORS SHOULD BE TYPE TESTED AND ROUTINE TESTED FOR PARTIAL DISCHARGE TEST AT 21 KV. THE P.D. LEVEL SHOULD BE LESS THAN 10 P.C.
- ITEM SHOULD BE THOROUGHLY DEGEASED, CLEANED, AND DRIED BEFORE SEALING IN POLYTHENE PACK.

59				64				65				75				78				79				25				27				29				58				59				60				77				79				31				34				45				55				56				57				58				65				72			
VAR.00				REMARKS				VAR. NO.				ITEM NO.				DESCRIPTION				STD				DRAWING NO.				BP22961				KC				001				UNIT WT.				QTY.				S																																											
28				CARD TYPE-3				28				CARD TYPE-1				28				CARD TYPE-2																																																																							

ADDITIONAL INFORMATION		STATUS OF DRAWING		DISTRIBUTION OF PRINTS		O/C - 1		SWM - 3		TCX - 1		G.PRASAD		MH		APPROVED		DEPT: SWE		UNTOOL. DIMS. GR.		MEDIUM		AA0230208		SCALE		1:2		भार. कि.मा. WEIGHT(K.G.)		उत्पाद का प्रकार या ग्राहक/परियोजना का नाम		TYPE OF PRODUCT OR NAME OF CUSTOMER/PROJECT		GVM-36		गम/ NAME		हस्त/ SIGN		दिनांक/ DATE		वे. र. की संख्या		NO. OF		REV.		NO. OF		ITEM		NO.	
M		M		M		M		M		M		M		M		M		M		M		M		M		M		M		M		M		M		M		M		M		M		M		M		M							
भारत हेवी इलेक्ट्रिकल्स लिमिटेड		भोपाल		BHARAT HEAVY ELECTRICALS LTD.		BHOPAL		G.PRASAD		Sd/-		31.01.94		P.S.SONKAR		Sd/-		26.04.94		D.K.DIKSHIT		Sd/-		04.05.94		05171000501		009		05171000502		02		02		02		02		02		02		02											
SUPPORT INSULATOR FOR V.I.		SUPPORT INSULATOR FOR V.I.		SUPPORT INSULATOR FOR V.I.		SUPPORT INSULATOR FOR V.I.		SUPPORT INSULATOR FOR V.I.		SUPPORT INSULATOR FOR V.I.		SUPPORT INSULATOR FOR V.I.		SUPPORT INSULATOR FOR V.I.		SUPPORT INSULATOR FOR V.I.		SUPPORT INSULATOR FOR V.I.		SUPPORT INSULATOR FOR V.I.		SUPPORT INSULATOR FOR V.I.		SUPPORT INSULATOR FOR V.I.		SUPPORT INSULATOR FOR V.I.		SUPPORT INSULATOR FOR V.I.		SUPPORT INSULATOR FOR V.I.		SUPPORT INSULATOR FOR V.I.		SUPPORT INSULATOR FOR V.I.		SUPPORT INSULATOR FOR V.I.		SUPPORT INSULATOR FOR V.I.		SUPPORT INSULATOR FOR V.I.		SUPPORT INSULATOR FOR V.I.		SUPPORT INSULATOR FOR V.I.											

A3 SIZE