

FIRST ANGLE PROJECTION

(ALL DIMENSIONS ARE IN mm)

THE INFORMATION ON THIS DOCUMENT IS THE PROPERTY OF BHARAT HEAVY ELECTRICALS LIMITED IT MUST NOT BE USED DIRECTLY OR INDIRECTLY IN ANY WAY DETRIMENTAL TO THE INTEREST OF THE COMPANY

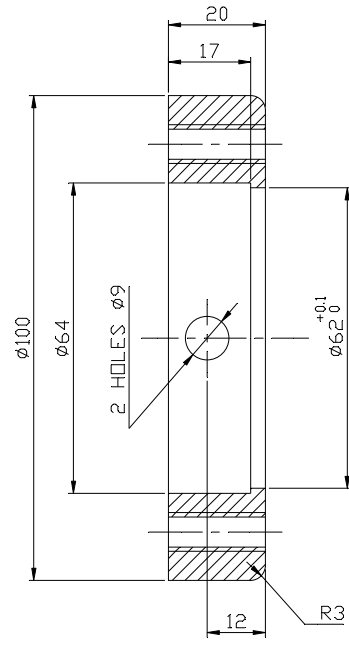
51710\35171000522-R01-S01

SIGN. & DATE REF. DRG. NO.

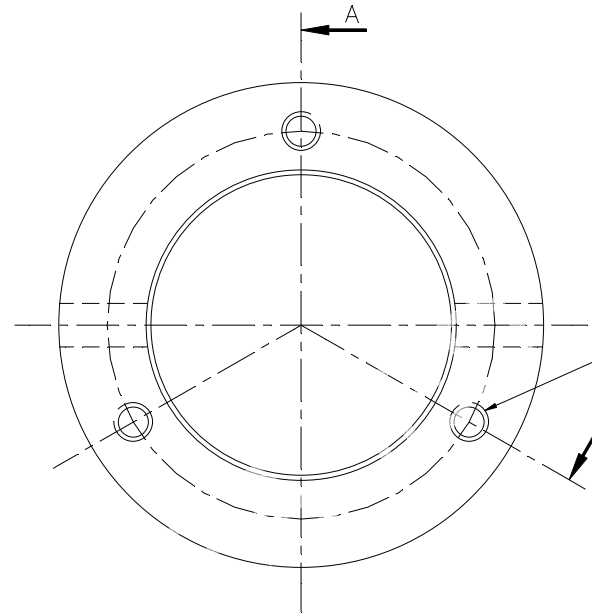
INVENTORY NO.

DRG. NO. 35171000522

TOOL NO. : - 1565509 - DRILL JIG



SECTION-AA



3 HOLES M8 EQUALLY SPACED ON 80 P.C.D.

VAR 00	REMARKS	VAR. NO.	ITEM NO.	DESCRIPTION	S.L.D.	DRAWING NO.	IT.NQ	MATL. CODE	UNIT	KG.	0.235	-	-
				001	∅120 × 20LG. AL. ALLOY BAR			AA12330	KG.	001			
							VAR	MATL. SPECN.	UNIT	QTY.			

ADDITIONAL INFORMATION

STATUS OF DRAWING

DISTRIBUTION OF PRINTS

D/C	SWM	TCX
1	3	1

उत्पाद का प्रकार या ग्राहक/परियोजना का नाम  
TYPE OF PRODUCT OR NAME OF CUSTOMER/PROJECT

GVM-36



भारत हेवी इलेक्ट्रिकल्स लिमिटेड  
भोपाल  
BHARAT HEAVY ELECTRICALS LTD.  
BHOPAL

क्रमांक/DRN	वर्ष/वर्ष	उत्सव/SGN	दिनांक/DATE	वै. संख्या/NO. OF VAR
G.P.	Sd/-	06.06.94		
P.S.S.	Sd/-	10.06.94		
D.K.D.	Sd/-	04.07.94		

REV.	DATE	ALTERED CHECKED	REV.	DATE	ALTERED CHECKED
01	14.1.95	APPROVED			

DRG. REDRAWN.

(DCA. NO. 6455)

डिपार्ट/DEPT SWE

उत्प. टोल. बाय की श्रेणी/UNTL.DIMS. GR. M

कोड/409

उत्प. स्केल/SCALE 1:1

भार. कि.ग्रा. वजन (KG)/WEIGHT (KG)

उत्प. सं. संदर्भ/REF. TO ASSY. DRG. 25171000508

सद. सं. संदर्भ/ITEM NO. 002

सद. संख्या/NO. OF ITEM 001

शीर्षक/TITLE

SHIELD SUPPORT

उत्प. सं. संदर्भ/DRAWING NO. 35171000522

पृष्ठ सं./SHT. No. 01

पृष्ठों की संख्या/NO. OF SHT. 01

A3